



- Wide range of application options
- Compact design
- Electronic accuracy
- Wallplate construction
- LED status indicators

This range of thermostats is aimed primarily at the heating and air conditioning market, where there is a demand for enhanced functionality. All models feature different combinations of supplementary function switches which are accessible to the user.

RET 230LS: This thermostat, which can be used in either heating or cooling systems, incorporates a manual switch which allows the thermostat output to be switched off.

RET 230H3: Designed for use with heating only fan coil units, the RET 230H3 incorporates a combined system isolation switch and Fan Auto/Fan Continuous switch. The latter allows the user to decide if the fan should run continuously or only when there is a demand for heat. A second three position switch allows the user to select one of three fan speed settings.

RET 230C3: Designed for use with cooling only fan coil units, the RET 230C3 incorporates a combined system isolation switch and Fan Auto/Fan Continuous switch. The latter allows the user to decide if the fan should run continuously or only when there is a demand for cooling. A second three position switch allows the user to select one of three fan speed settings.

RET 230C32: Designed for use with cooling only fan coil units, the RET 230C32 incorporates a manual switch which allows the thermostat output to be switched off. A second, three position switch allows the user to select one of three fan speed settings. Fan control on this model is not thermostatically controlled.

RET 230CO1: Designed for use in two-pipe changeover fan coil unit systems, the RET 230CO1 incorporates a manual Heating/Cooling (Winter/Summer) switch, which allows the thermostat to operate as a cooling thermostat in the summer, and a heating thermostat in the winter. A second three position switch combines the function of system isolation and Fan Auto/Fan Continuous switch. The latter allows the user to decide if the fan should run continuously, or when there is a call.

RET 230CO2: Designed for use in two-pipe changeover fan coil unit systems, the RET 230CO2 incorporates a manual Heating/Cooling (Winter/Summer) switch which allows the thermostat to operate as a cooling thermostat in the summer and a heating thermostat in the winter. A second two position switch allows the user to turn the thermostat output off if so desired.

RET 230CO3: Designed for use in two-pipe changeover fan coil unit systems, the RET 230CO3 incorporates a manual Heating/Off/Cooling (Winter/Off/Summer) switch which allows the thermostat to operate as a cooling thermostat in the summer and a heating thermostat in the winter. A second three position switch allows the user to select one of three fan speed settings.

RET 230CO4: Specification as per the RET 230CO3, except that the symbols for Heating/Off/Cooling are replaced by English text.

Specifications

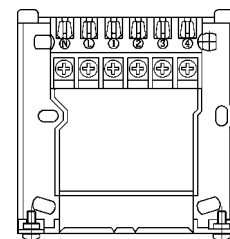
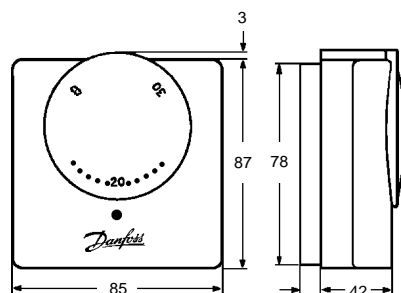
Thermostats for use in systems having central changeover from Heating to Cooling.

RET230 Electronic Thermostats with function switches	RET 230C01	RET 230C02	RET 230C03	RET 230C04
Order Codes	087N7021	087N7022	087N7032	087N7034
Htg/Clg Thermostat for change-over systems	●	●	●	●
Fan Auto/Continuous switch with system Off selector	●			
System Off/Auto Selector		●		
Summer/Off/Winter (Htg/Off/Clg) selector			● (1)	● (2)
Summer/Winter (Htg/Clg) selector	●	●		
3 speed fan switch output terminals			●	●
Single speed fan output terminal	●	●		
Switching Differential	<1K			
Operating Voltage	220/240 Vac, 50/60 Hz			
Switch Rating	2 (1) A			
Temperature Range	5-30°C			
Dimensions (mm)	85 wide x 87 high x 42 deep			
(1) - Switch label based upon symbols				
(2) - Switch label based upon text				

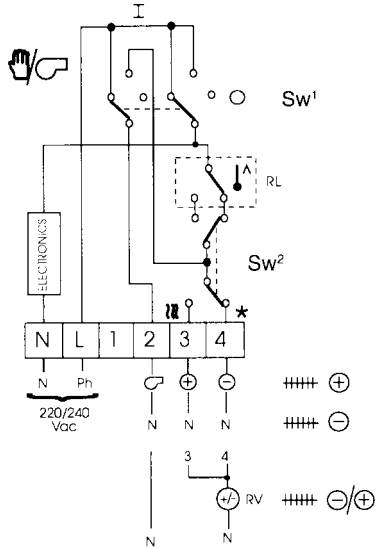
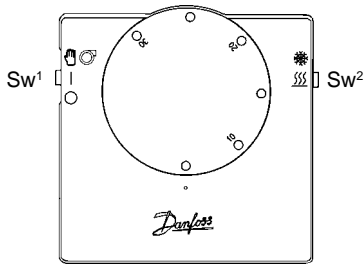
Thermostats for use in non-changeover systems.

RET230 Electronic Thermostats with function switches	RET 230H3	RET 230C3	RET 230C32	RET 230LS
Order Codes	087N7024	087N7023	087N7027	087N7007
Htg thermostat	●			
Clg thermostat		●	●	
Htg or Clg thermostat				● (3)
Fan Auto/Continuous switch with system Off selector	●	●		
System Off/Auto selector			●	●
Summer/Winter (Htg/Clg) selector				
Power On and thermostat callings LEDs	●	●	●	●
3 speed fan output terminals	●	●	●	
Single speed fan output terminal				
Switching Differential	<1K			
Operating Voltage	220/240Vac, 50/60Hz			
Switch Rating	2 (1) A			
Temperature Range	5-30°C			
Dimensions (mm)	85 wide x 87 high x 42 deep			
(3) RET 230LS has SPDT contacts and can be used in heating or cooling systems				

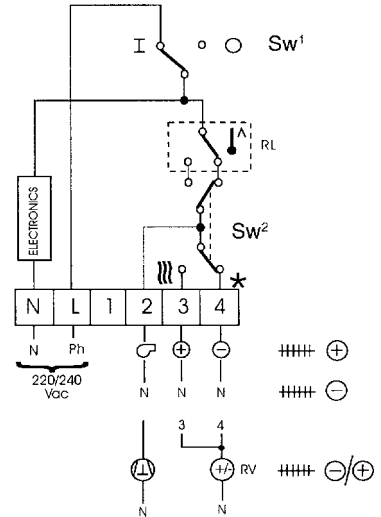
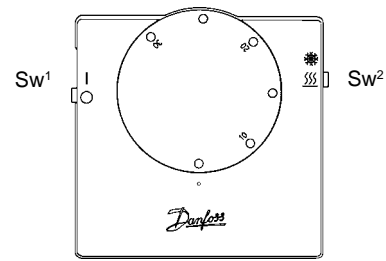
Dimensions



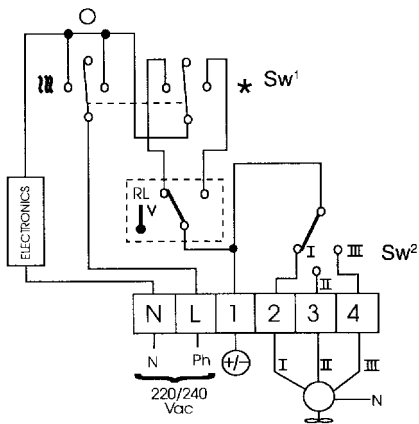
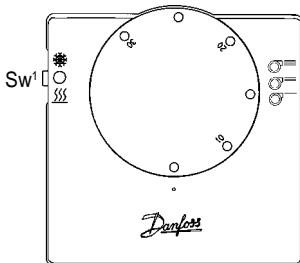
RET 230C01



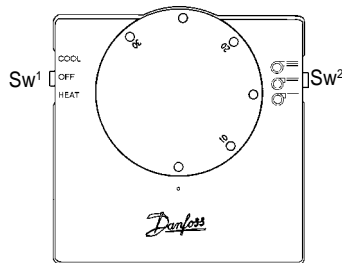
RET 230C02



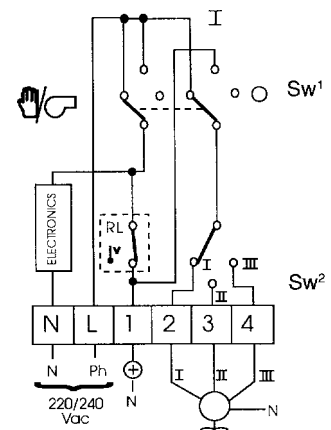
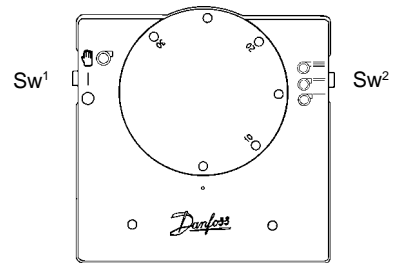
RET 230C03



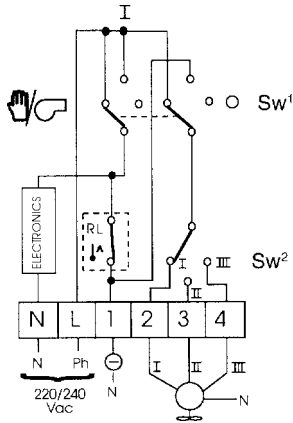
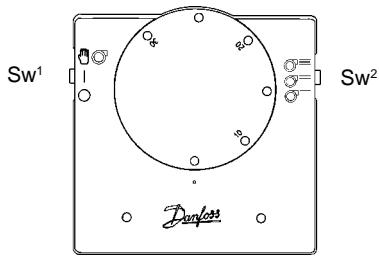
RET 230C04



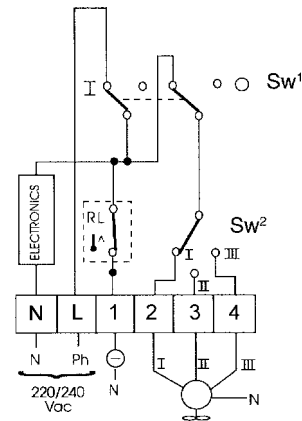
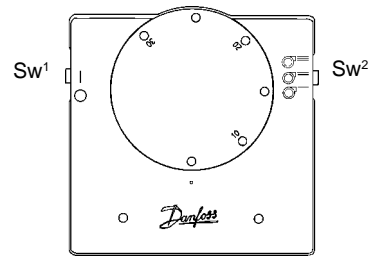
RET 230H3



RET 230C3



RET 230C32



RET 230LS

