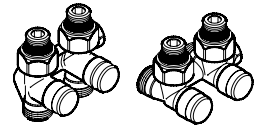




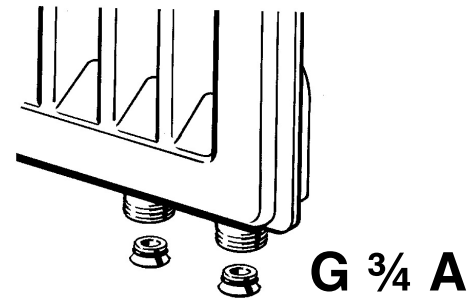
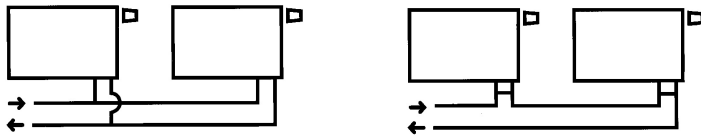
INSTRUCTIONS

RLV-K

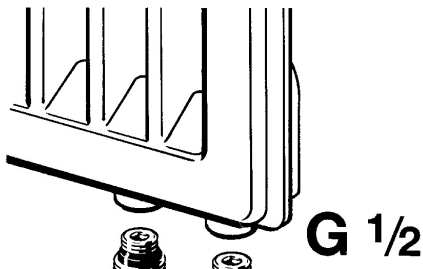
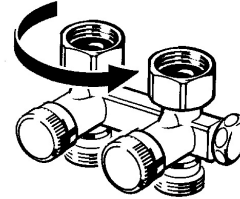


013R9262

013R9262

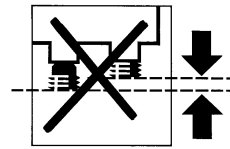
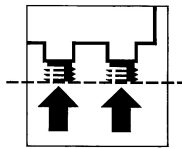


30 - 40 Nm

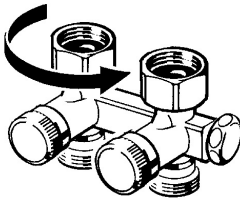


10 mm

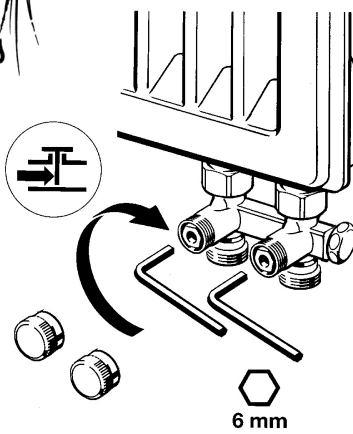
G 1/2



30 - 40 Nm

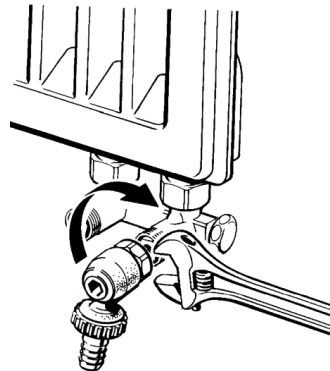


1)



6 mm

2)



3)

