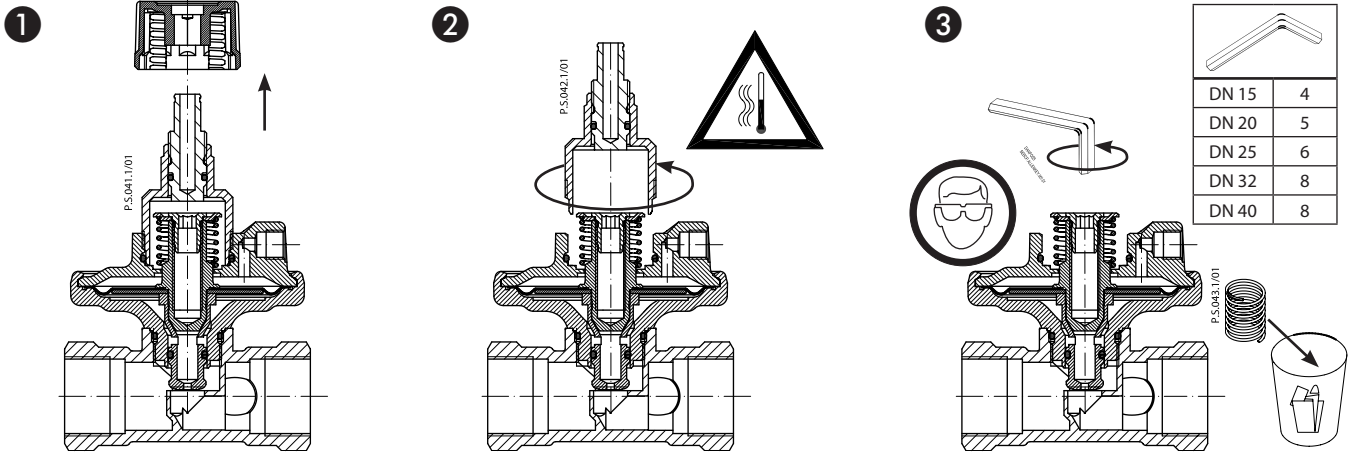


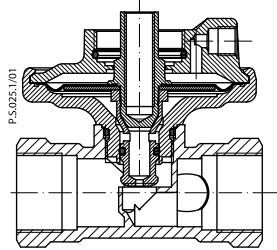
Installation Guide

ASV-P (10 kPa) → ASV-P (20 kPa, 30 kPa)



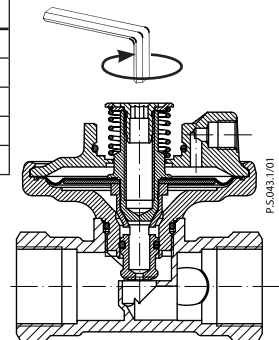
4

	20 kPa	30 kPa
DN 15	003L8182	003L8192
DN 20	003L8183	003L8193
DN 25	003L8184	003L8194
DN 32	003L8185	003L8195
DN 40	003L8185	003L8195



5

DN 15	4
DN 20	5
DN 25	6
DN 32	8
DN 40	8



6

Max Nm	
DN 15	20Nm ± 2Nm
DN 20	30Nm ± 2Nm
DN 25	50Nm ± 2Nm
DN 32	80Nm ± 2Nm
DN 40	80Nm ± 2Nm

