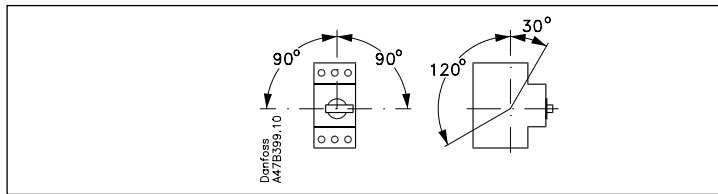
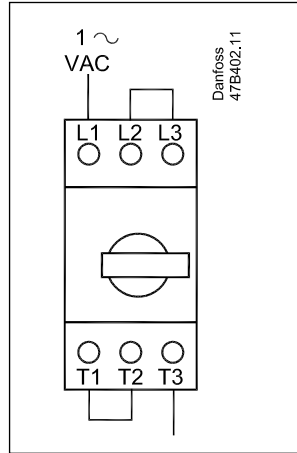
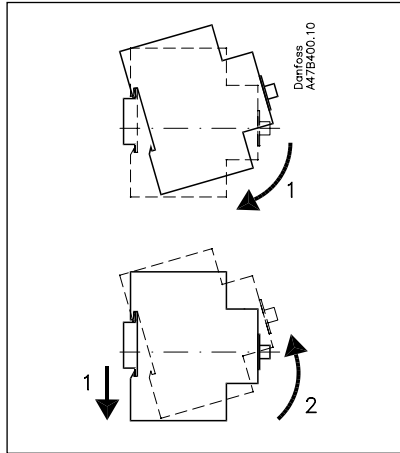
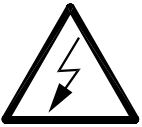


Installation guide

Circuit breaker

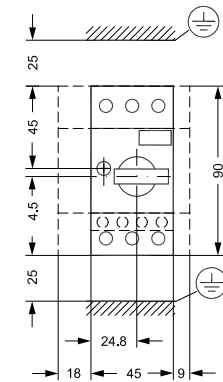
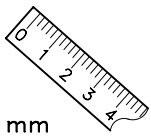
CTI 25M-MB and CTI 45MB

047C3008

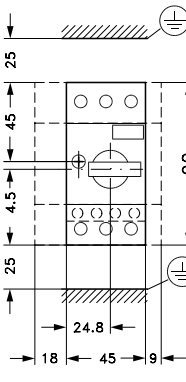
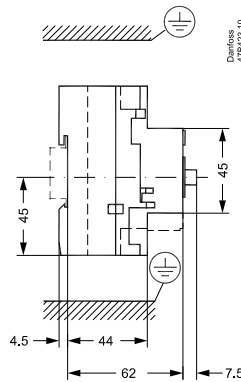


	1x1...4mm ² 2x1...4mm ² No.16...12 AWG
	1x1...6mm ² 2x1...6mm ² No.16...10 AWG
	1x1.5...4mm ² 2x1.5...4mm ² No.16...10 AWG
Use 75°C Cu wire only	
	1.0...2.5 Nm 8.9...22 lb-in
	No.3 Pozidriv No.2

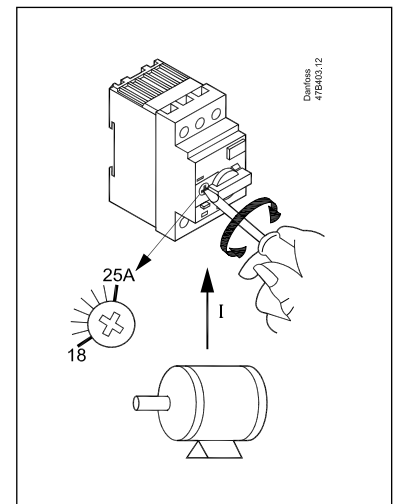
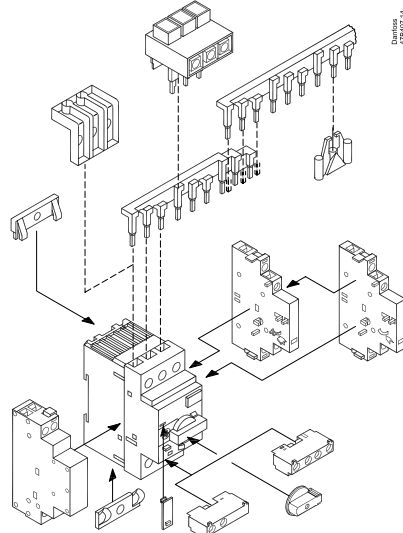
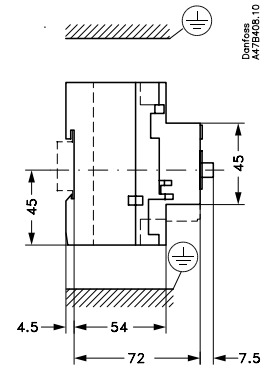
047C3008


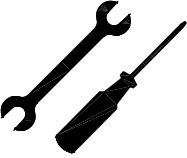



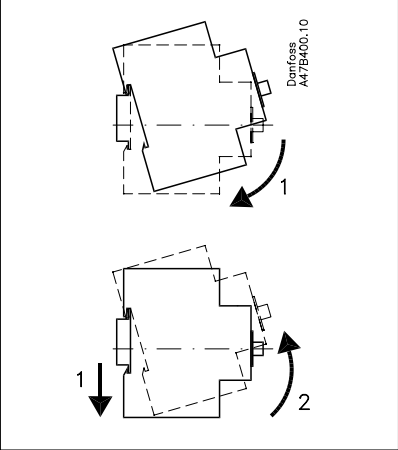
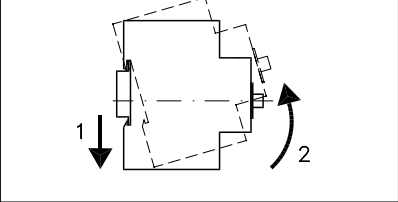
CTI 25M

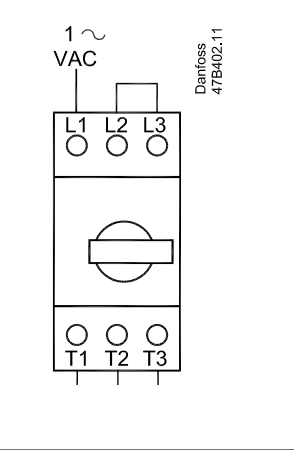


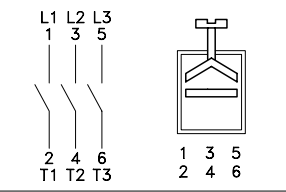
CTI 25MB







DANFOSS
A47B395.10

1x2.5...16mm²
2x2.5...10mm²
No.14...8 AWG

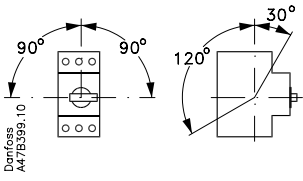
1x2.5...25mm²
2x2.5...16mm²
No.14...6 AWG

14mm → 1x2.5...25mm²
2x2.5...16mm²
No.14...6 AWG

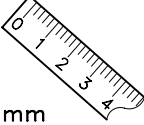
Use 75 °C Cu wire only

1.5...4 Nm
13.2...35 lb-in

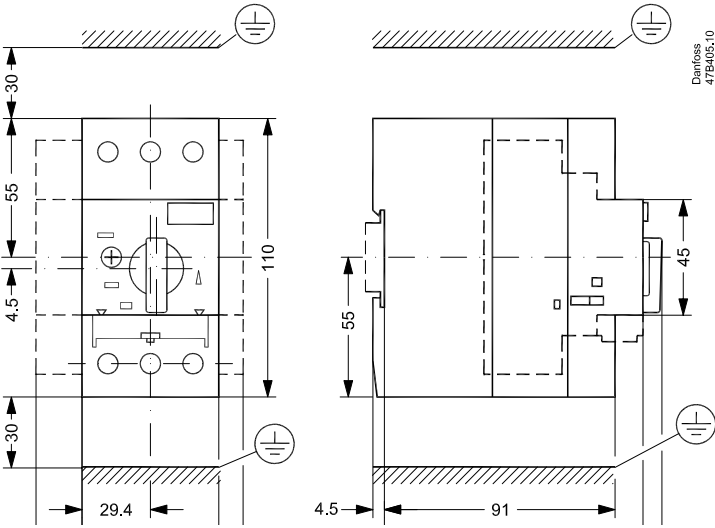
No.3
Pozidriv No.2



DANFOSS
A47B393.10




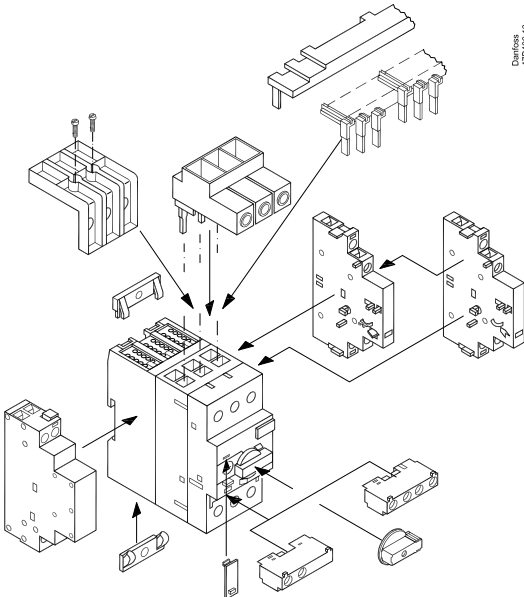
mm



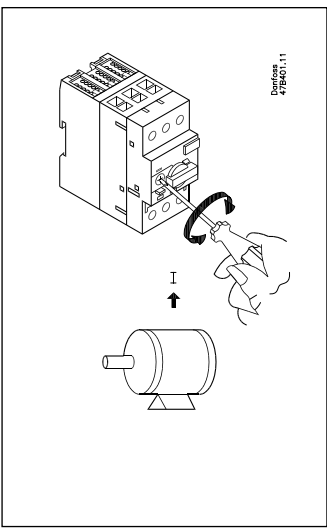
DANFOSS
47B405.10

CTI 45MB





DANFOSS
47B406.13



DANFOSS
47B402.11