

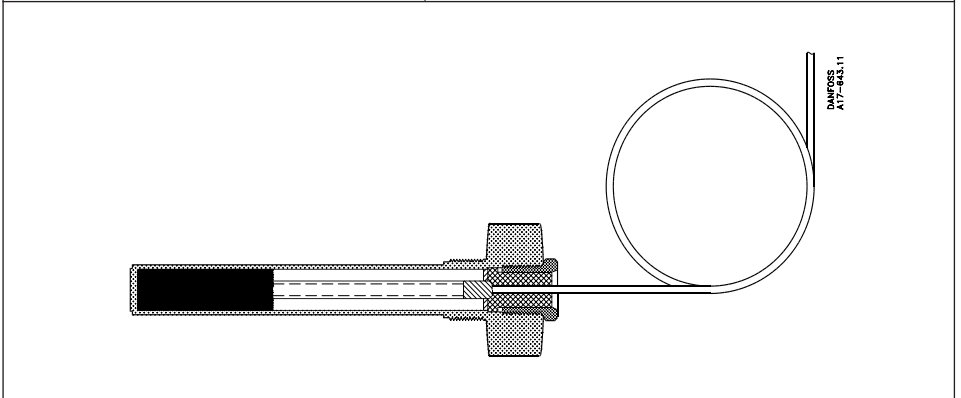
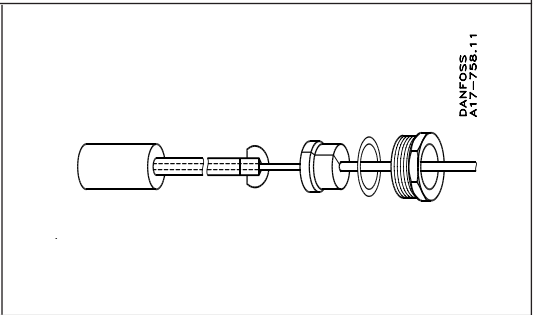
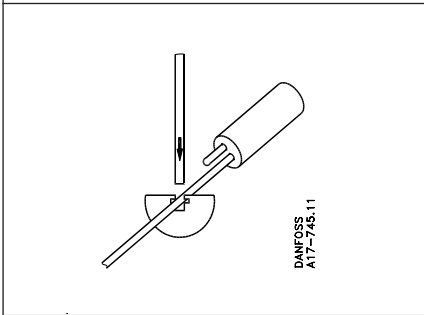
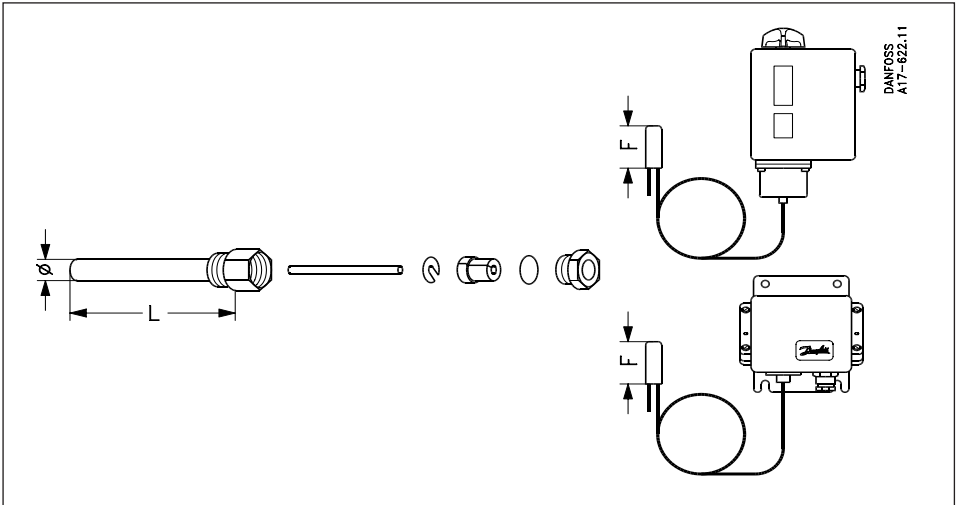
Installation guide

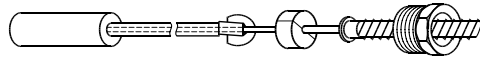
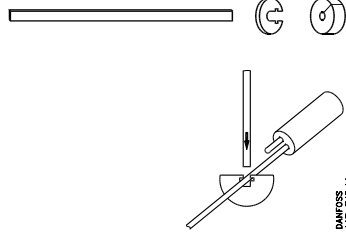
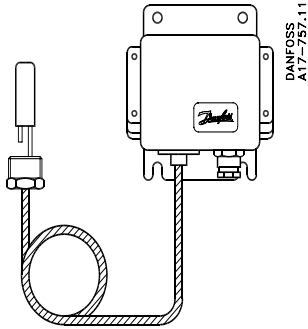
Sensor pocket

Types KPS, CAS, RT

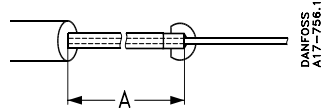
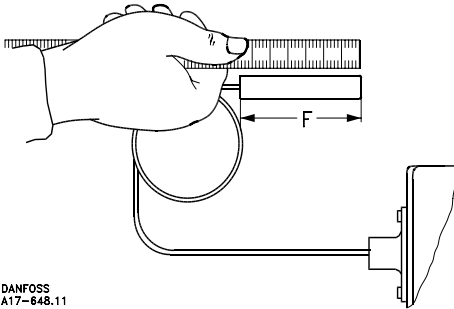
060R9307

060R9307





DANFOSS
A17-747.11



	L=65	L=75	L=110	L=160
F=47,5	<p>A=15</p>	<p>A=25</p>	<p>A=60</p>	<p>A=110</p>
F=75	X	X	<p>A=33</p>	<p>A=83</p>
F=85	X	X	<p>A=23</p>	<p>A=73</p>

DANFOSS
A17-647.11