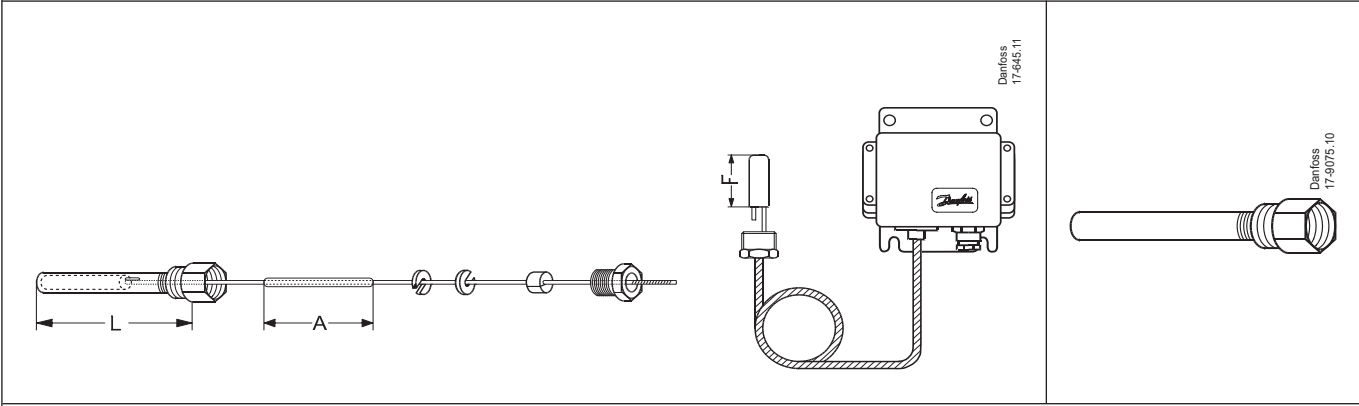
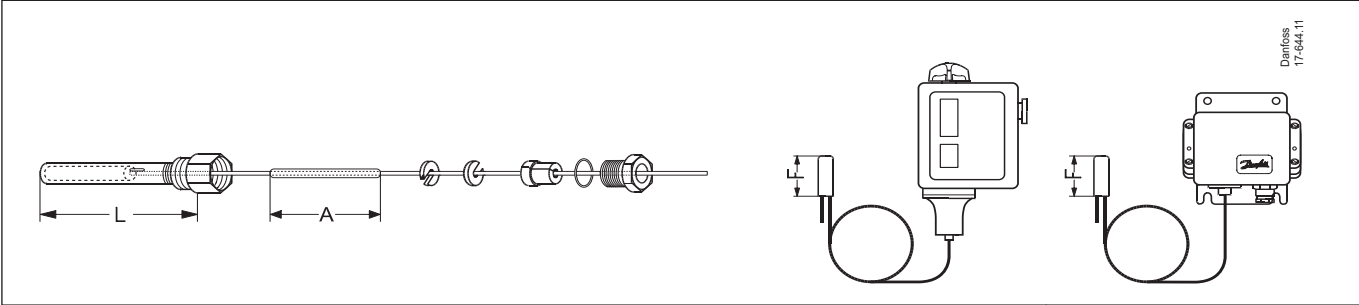


# Installation guide

## Sensor pocket

### Types KPS, CAS, RT

060A0570



DANFOSS  
A17-648.11

	L=65	L=75	L=110	L=160
F=47,5				
F=75				
F=85				

DANFOSS  
A17-647.11

