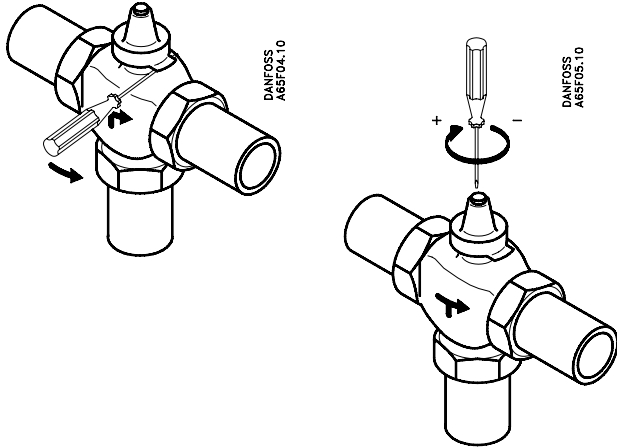
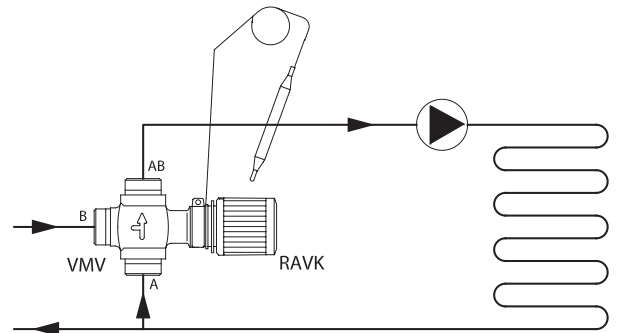
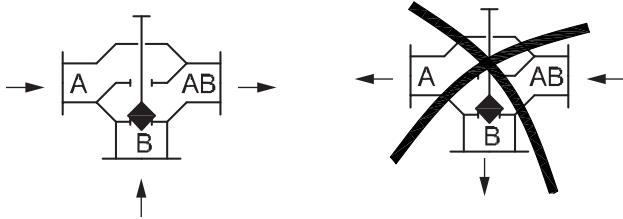
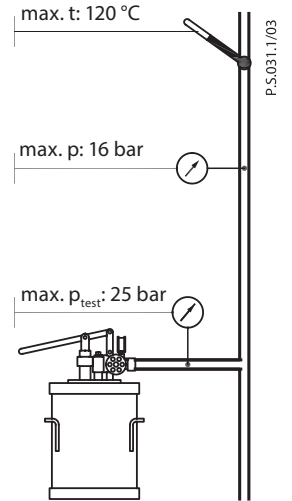


# Installation Guide

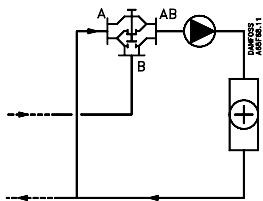
## VMV



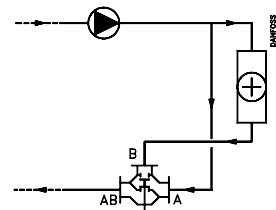
Type	Max. $\Delta p$ bar
VMV 15	0,6
VMV 20	0,5
VMV 25	0,3
VMV 32	0,2
VMV 40	0,2



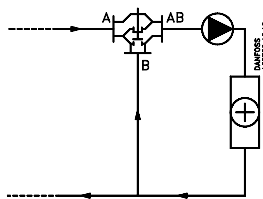
**NC (normally closed)**  
RAVK (only VMV DN 15, 20)  
ABV-NC



**NC (normally closed)**  
RAVK (only VMV DN 15, 20)  
ABV-NC



**NO (normally open)**  
ABV-NO



**NO (normally open)**  
ABV-NO

