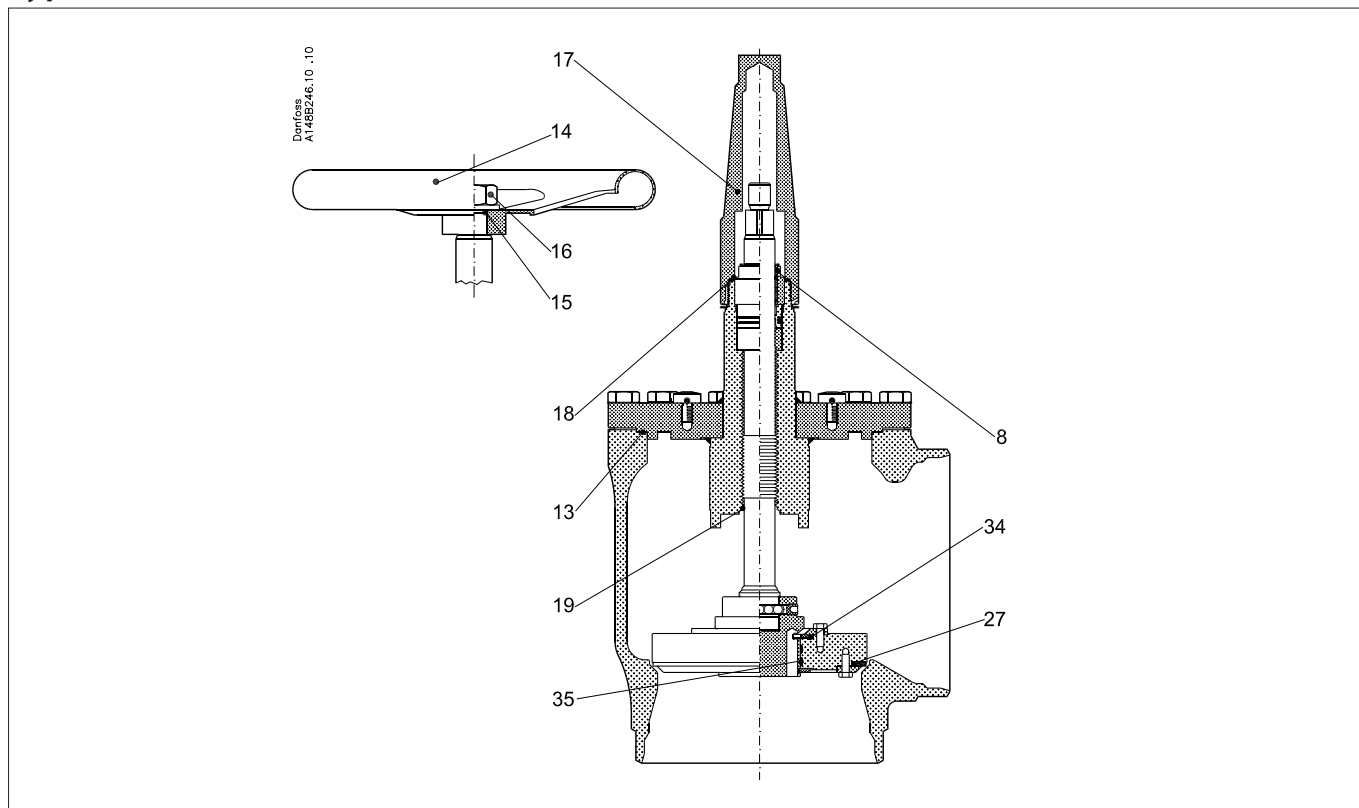


Data sheet – Spare parts and accessories

Shut-off valve
Type SVA-DL 250-300 (10-12 in.)



Description	Pos. #	Qty.	Size	Code no.
-------------	--------	------	------	----------

Spare part kit, for bonnet and cap

Gasket for bonnet	13	1	DN 250 (10 in.)	148B4162
Cap + gasket	18	1	DN 250 (10 in.)	
Gasket for backseat	19	1	DN 250 (10 in.)	
Gasket for bonnet	13	1	DN 300 (12 in.)	148B4163
Cap + gasket	18	1	DN 300 (12 in.)	
Gasket for backseat	19	1	DN 300 (12 in.)	

Spare part kit for cone

Gasket for cone (valve seat)	27	1	DN 250 (10 in.)	148B4173
Gasket for cone (insert)	34	1	DN 250 (10 in.)	
Wear ring for cone (insert)	35	1	DN 250 (10 in.)	
Gasket for cone (valve seat)	27	1	DN 300 (12 in.)	148B4174
Gasket for cone (insert)	34	1	DN 300 (12 in.)	
Wear ring for cone (insert)	35	1	DN 300 (12 in.)	

Packing gland (complete)

Packing gland complete	8	1	DN 250 (10 in.)	148B4166
Packing gland complete	8	1	DN 300 (10 in.)	

Complete repair kit

Packing gland complete	8	1	DN 250 (10 in.)	148B4175
Gasket for bonnet	13	1	DN 250 (10 in.)	
Cap + gasket	18	1	DN 250 (10 in.)	
Gasket for backseat	19	1	DN 250 (10 in.)	
Gasket for cone (valve seat)	27	1	DN 250 (10 in.)	
Gasket for cone (insert)	34	1	DN 250 (10 in.)	
Wear ring for cone (insert)	35	1	DN 250 (10 in.)	

Description	Pos. #	Qty.	Size	Code no.
-------------	--------	------	------	----------

Complete repair kit

Packing gland complete	8	1	DN 300 (12 in.)	148B4176
Gasket for bonnet	13	1	DN 300 (12 in.)	
Cap + gasket	18	1	DN 300 (12 in.)	
Gasket for backseat	19	1	DN 300 (12 in.)	
Gasket for cone (valve seat)	27	1	DN 300 (12 in.)	
Gasket for cone (insert)	34	1	DN 300 (12 in.)	
Wear ring for cone (insert)	35	1	DN 300 (12 in.)	

Handwheel incl. nut and washer

Handwheel	14	1	DN 250 (10 in.)	148B4169
Washer	15	1	DN 250 (10 in.)	
Nut	16	1	DN 250 (10 in.)	
Handwheel	15	1	DN 300 (12 in.)	148B4170
Washer	15	1	DN 300 (12 in.)	
Nut	16	1	DN 300 (12 in.)	

Cap incl. Gasket

Cap	17	1	DN 250 (10 in.)	148B4171
Gasket	18	1	DN 250 (10 in.)	
Cap	17	1	DN 300 (12 in.)	
Gasket	18	1	DN 300 (12 in.)	

Grease for packing gland (tube)

Grease for packing gland (tube)	-	1	DN 250 (10 in.)	148H3445
Grease for packing gland (tube)	-	1	DN 300 (12 in.)	