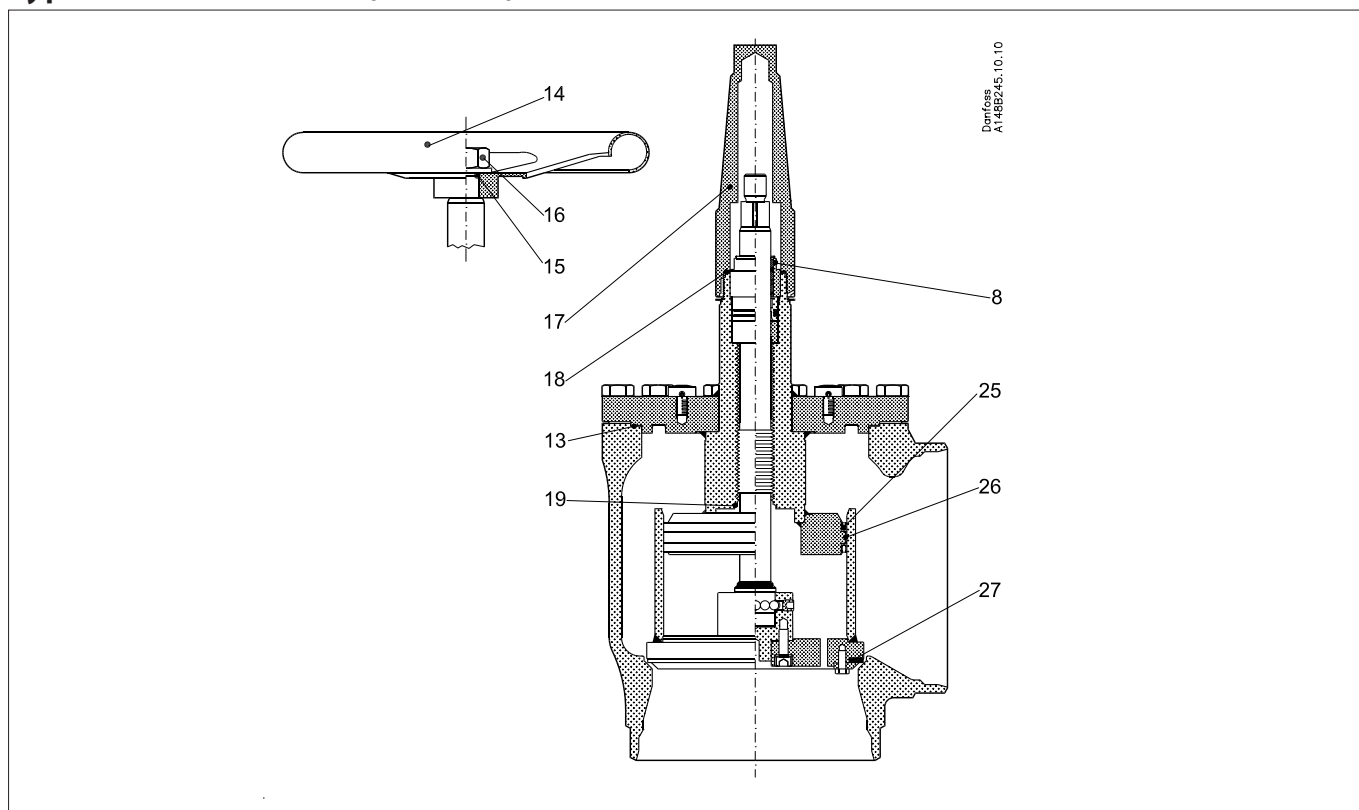


Data sheet – Spare parts and accessories

**Shut-off valve**  
**Type SVA-DH 250-300 (10-12 in.)**



Description	Pos. #	Qty.	Size	Code no.
-------------	--------	------	------	----------

**Spare part kit, for bonnet and cap**

Gasket for bonnet	13	1	DN 250 (10 in.)	<b>148B4162</b>
Gasket	18	1	DN 250 (10 in.)	
Gasket for backseat	19	1	DN 250 (10 in.)	
Gasket for bonnet	13	1	DN 300 (12 in.)	<b>148B4163</b>
Gasket	18	1	DN 300 (12 in.)	
Gasket for backseat	19	1	DN 300 (12 in.)	

**Spare part kit for cone**

Gasket for cone (u-sleeve)	25	1	DN 250 (10 in.)	<b>148B4164</b>
Wear ring for cone	26	1	DN 250 (10 in.)	
Gasket for cone (valve seat)	27	1	DN 250 (10 in.)	
Gasket for cone (u-sleeve)	25	1	DN 300 (12 in.)	<b>148B4165</b>
Wear ring for cone	26	1	DN 300 (12 in.)	
Gasket for cone (valve seat)	27	1	DN 300 (12 in.)	

**Packing gland (complete)**

Packing gland complete	8	1	DN 250 (10 in.)	<b>148B4166</b>
Packing gland complete	8	1	DN 300 (10 in.)	

**Complete repair kit**

Packing gland complete	8	1	DN 250 (10 in.)	<b>148B4167</b>
Gasket for bonnet	13	1	DN 250 (10 in.)	
Gasket	18	1	DN 250 (10 in.)	
Gasket for backseat	19	1	DN 250 (10 in.)	
Gasket for cone (u-sleeve)	25	1	DN 250 (10 in.)	
Wear ring for cone	26	1	DN 250 (10 in.)	
Gasket for cone (valve seat)	27	1	DN 250 (10 in.)	

Description	Pos. #	Qty.	Size	Code no.
-------------	--------	------	------	----------

**Complete repair kit**

Packing gland complete	8	1	DN 300 (12 in.)	<b>148B4168</b>
Gasket for bonnet	13	1	DN 300 (12 in.)	
Gasket	18	1	DN 300 (12 in.)	
Gasket for backseat	19	1	DN 300 (12 in.)	
Gasket for cone (u-sleeve)	25	1	DN 300 (12 in.)	
Wear ring for cone	26	1	DN 300 (12 in.)	
Gasket for cone (valve seat)	27	1	DN 300 (12 in.)	

**Handwheel incl. nut and washer**

Handwheel	14	1	DN 250 (10 in.)	<b>148B4169</b>
Washer	15	1	DN 250 (10 in.)	
Nut	16	1	DN 250 (10 in.)	
Handwheel	15	1	DN 300 (12 in.)	<b>148B4170</b>
Washer	15	1	DN 300 (12 in.)	
Nut	16	1	DN 300 (12 in.)	

**Cap incl. Gasket**

Cap	17	1	DN 250 (10 in.)	<b>148B4171</b>
Gasket	18	1	DN 250 (10 in.)	
Cap	17	1	DN 300 (12 in.)	
Gasket	18	1	DN 300 (12 in.)	

**Grease for packing gland (tube)**

Grease for packing gland (tube)	-	1	DN 250 (10 in.)	<b>148H3445</b>
Grease for packing gland (tube)	-	1	DN 300 (12 in.)	