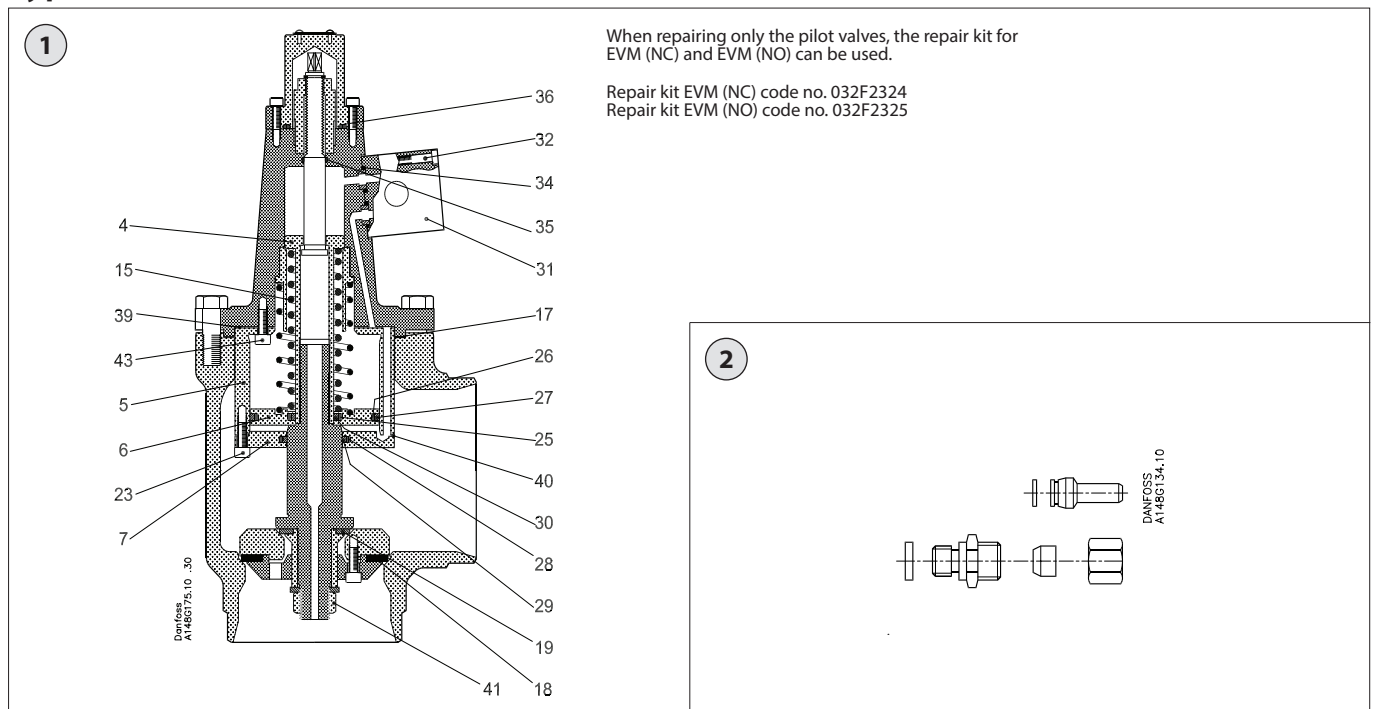


Data sheet – Spare parts and accessories

2-step solenoid valve  
Type GPLX



When repairing only the pilot valves, the repair kit for EVM (NC) and EVM (NO) can be used.

Repair kit EVM (NC) code no. 032F2324  
Repair kit EVM (NO) code no. 032F2325

Size	Description	Pos. #	Qty.	Code no.
------	-------------	--------	------	----------

**Spare part kit, for top/housing and cap (Dismounting set)**

DN 80	Gasket top/housing	17	1	148G3427
	O-ring for cap	36	1	
DN 100	Gasket top/housing	17	1	148G3428
	O-ring for cap	36	1	
DN 125	Gasket top/housing	17	1	148G3429
	O-ring for cap	36	1	
DN 150	Gasket top/housing	17	1	148G3430
	O-ring for cap	36	1	

**Repair kit, complete set of gaskets**

DN 80	Gasket top/housing	17	1	148G3431
	Teflon ring cone step 2	18	1	
	Teflon ring cone step 1	19	1	
	O-ring piston inside	25	1	
	O-ring piston outside	26	1	
	Glide ring piston outside	27	1	
	O-ring guide	28	1	
	Glide ring guide	29	1	
	Glide ring piston inside	30	1	
	O-ring for connection part/ solenoid valve	34	1	
	O-ring for threaded rod	35	1	
	O-ring for cap	36	1	
	Gasket for cylinder top	39	1	
	Gasket for cylinder	40	1	
Nut	41	1		

**Repair kit, complete set of gaskets**

DN 100	Gasket top/housing	17	1	148G3432
	Teflon ring cone step 2	18	1	
	Teflon ring cone step 1	19	1	
	O-ring piston inside	25	1	
	O-ring piston outside	26	1	
	Glide ring piston outside	27	1	
	O-ring guide	28	1	
	Glide ring guide	29	1	
	Glide ring piston inside	30	1	
	O-ring for connection part/ solenoid valve	34	1	
	O-ring for threaded rod	35	1	
	O-ring for cap	36	1	
	Gasket for cylinder top	39	1	
	Gasket for cylinder	40	1	
Nut	41	1		

Size	Description	Pos. #	Qty.	Code no.
------	-------------	--------	------	----------

**Repair kit, complete set of gaskets**

DN 125	Gasket top/housing	17	1	148G3433
	Teflon ring cone step 2	18	1	
	Teflon ring cone step 1	19	1	
	O-ring piston inside	25	1	
	O-ring piston outside	26	1	
	Glide ring piston outside	27	1	
	O-ring guide	28	1	
	Glide ring guide	29	1	
	Glide ring piston inside	30	1	
	O-ring for connection part/ solenoid valve	34	1	
	O-ring for threaded rod	35	1	
	O-ring for cap	36	1	
	Gasket for cylinder top	39	1	
	Gasket for cylinder	40	1	
Nut	41	1		

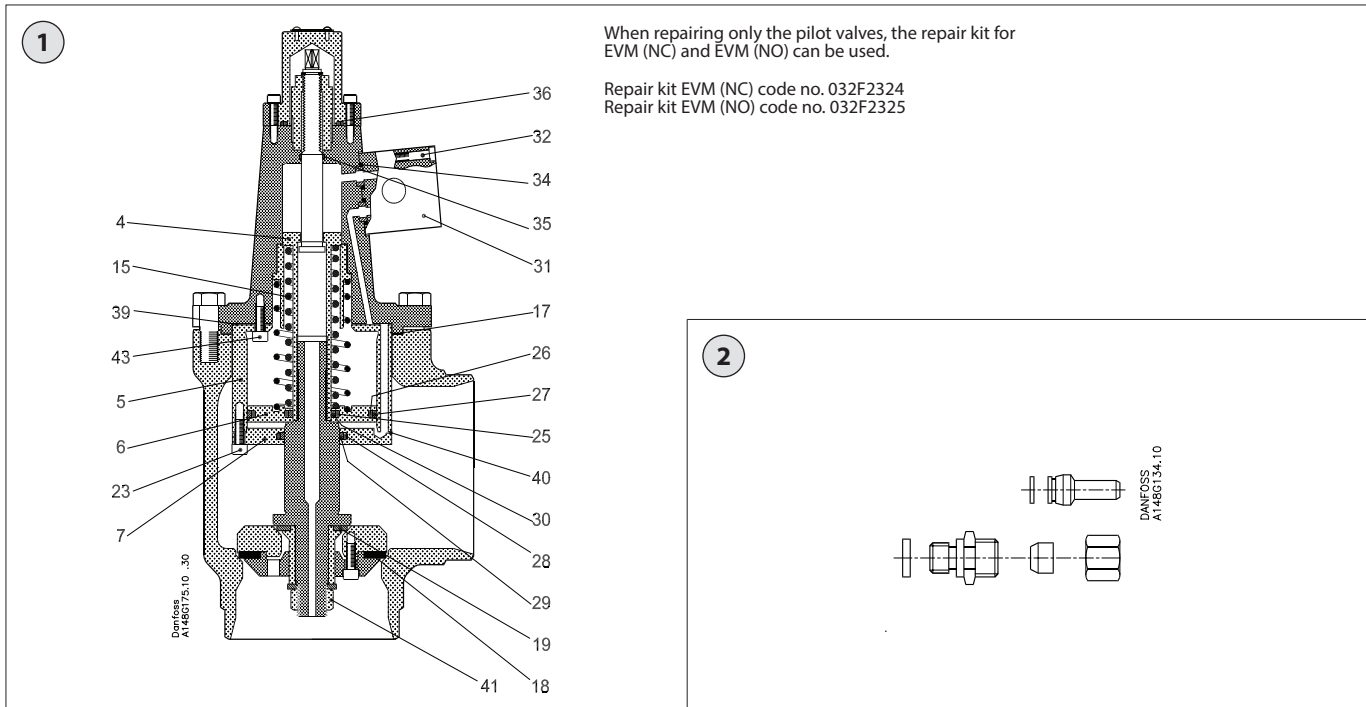
**Repair kit, complete set of gaskets**

DN 150	Gasket top/housing	17	1	148G3434
	Teflon ring cone step 2	18	1	
	Teflon ring cone step 1	19	1	
	O-ring piston inside	25	1	
	O-ring piston outside	26	1	
	Glide ring piston outside	27	1	
	O-ring guide	28	1	
	Glide ring guide	29	1	
	Glide ring piston inside	30	1	
	O-ring for connection part/ solenoid valve	34	1	
	O-ring for threaded rod	35	1	
	O-ring for cap	36	1	
	Gasket for cylinder top	39	1	
	Gasket for cylinder	40	1	
Nut	41	1		

**New Additional Repair kit**

DN 80	Piston rod	4	1	148G0100
	Spring open	15	1	
DN 100	Piston rod	4	1	148G0101
	Spring open	15	1	
DN 125	Piston rod	4	1	148G0102
	Spring open	15	1	
DN 150	Piston rod	4	1	148G0103
	Spring open	15	1	

## 2-step solenoid valve, type GPLX



Size	Description	Pos. #	Qty.	Code no.
<b>New Overhaul kit</b>				
DN 80	Cylinder	5	1	<b>148G0104</b>
	Piston	6	1	
	Guide piece	7	1	
	Screw	23	1	
	Screw	43	1	
DN 100	Cylinder	5	1	<b>148G0105</b>
	Piston	6	1	
	Guide piece	7	1	
	Screw	23	1	
DN 125	Cylinder	5	1	<b>148G0106</b>
	Piston	6	1	
	Guide piece	7	1	
	Screw	23	1	
DN 150	Cylinder	5	1	<b>148G0107</b>
	Piston	6	1	
	Guide piece	7	1	
	Screw	23	1	

Size	Description	Pos. #	Qty.	Code no.
<b>Complete pilot valve block type EVRB without coils</b>				
DN 80-150	EVRB valve block	31	1	<b>2453+103</b>
	Bolts for solenoid valve	32	1	
	O-ring for connection part / solenoid valve	34	1	
<b>External/pilot connection complete, fig.2</b>				
DN 80-150	External/pilot connection complete		1	<b>148G3750</b>