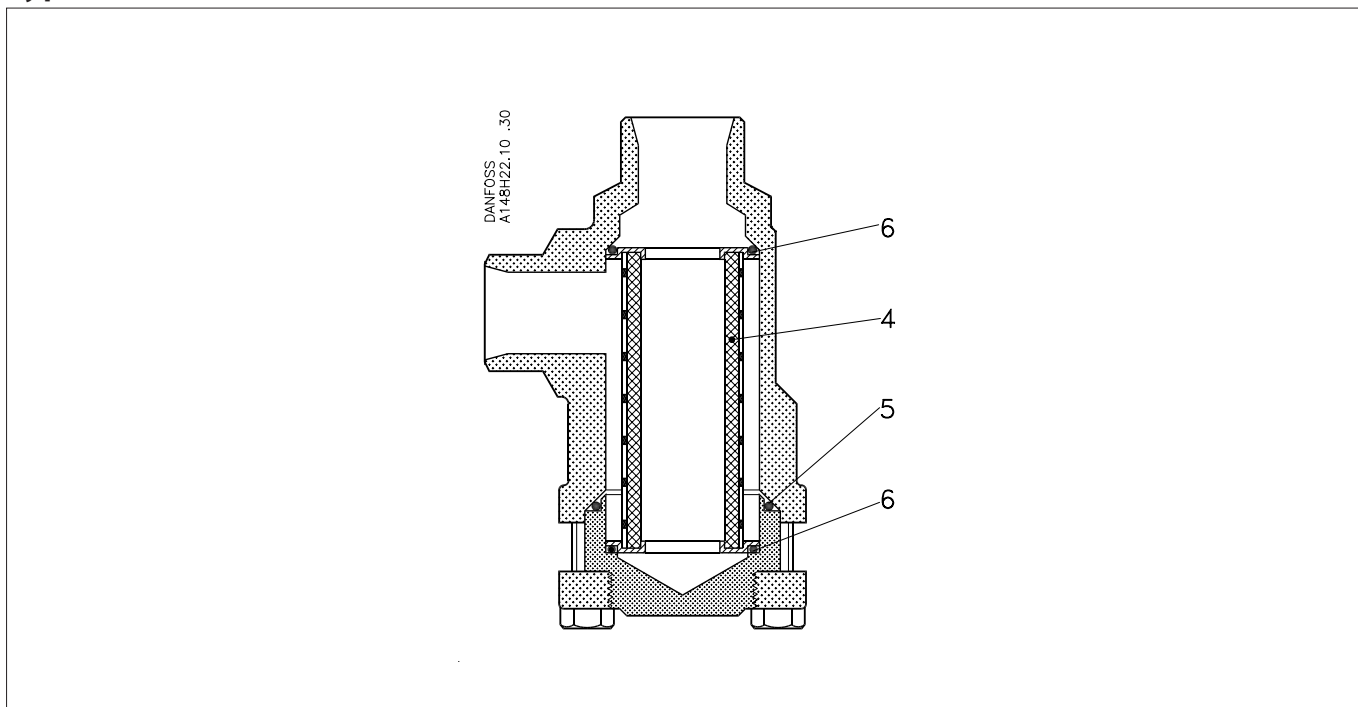


Data sheet – Spare parts and accessories

Filter

Type FIL 10-40 (3/8- 1 1/2 in.) XX0-XX1-XX2-XX3



Description	Size	Pos. #	Qty.	Code no.
Repair kit, complete set of gaskets				
O-ring for housing/bonnet	Medium (10-20)	5	1	2453+028
O-rings for filter	Medium (10-20)	6	1	
O-ring for housing/bonnet	Large (25-40)	5	1	2453+029
O-rings for filter	Large (25-40)	6	1	

Description	Size	Pos. #	Qty.	Code no.
Filter element				
Filter element 150 µm, type XX1	Medium (10-20)	4	1	148H3002
Filter element 150 µm, type XX1	Large (25-40)	4	1	148H3003
Filter element 250 µm, type XX2	Medium (10-20)	4	1	148H3004
Filter element 250 µm, type XX2	Large (25-40)	4	1	148H3005
Filter element 500 µm, type XX3	Large (25-40)	4	1	148H3007