

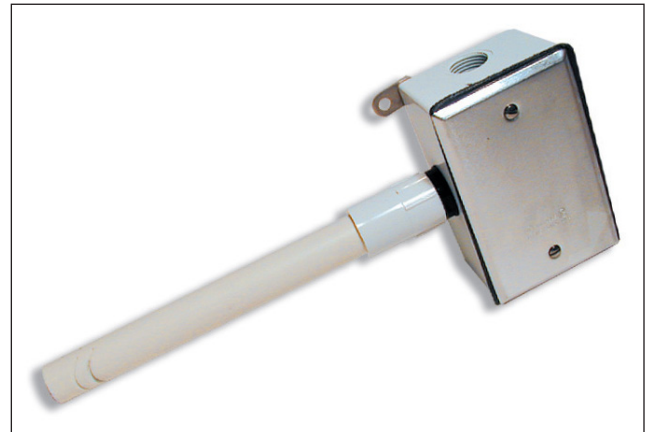
Installation Guide

# 080Z2167 Humidity Transducer

**Identification**

The 080Z2167 measures outdoor relative humidity. The 080Z2167 does not include a mounting box but it will mount in 1/2" conduit knock out.

The 080Z2167 is compatible with all Danfoss AK255 controllers as well as legacy controllers (AKC55, NC-25).

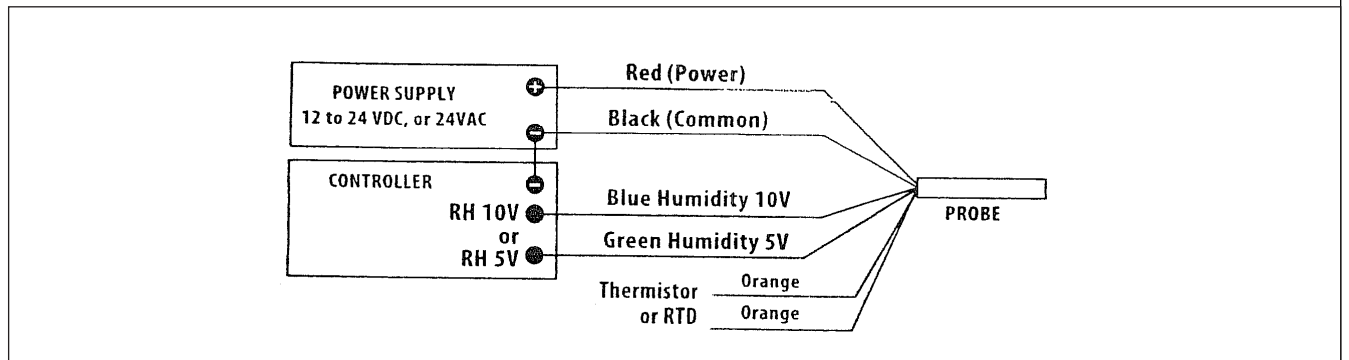


**Specifications**

Size:	8.45" X 0.7"	
Power requirement:	12 Vdc supplied by the I/O board	
Operating environment:	Humidity:	0 to 100% RH, non-condensing
	Ambient temperature:	-40°F to 122°F
RH Output:	0-5Vdc	

**Installation and Inspection**

The 080Z2167 should be mounted in a sheltered outdoor location, preferably out of direct sunlight. The probe must point downward when suspended from conduit. Note that the 080Z2167 must be unpowered when installing a new sensor or it will continuously read 100%. Interrupt sensor power to restart.



**Ordering**

Description	Part #:
Humidity Transducer	<b>080Z2167</b>

Danfoss Inc.  
ELECTRONIC DIVISION  
Baltimore, MD



The Product contains electrical components  
And may not be disposed together with domestic waste.  
Equipment must be separate collected with Electrical and Elec-  
tronic waste. According to Local and currently valid legislation.