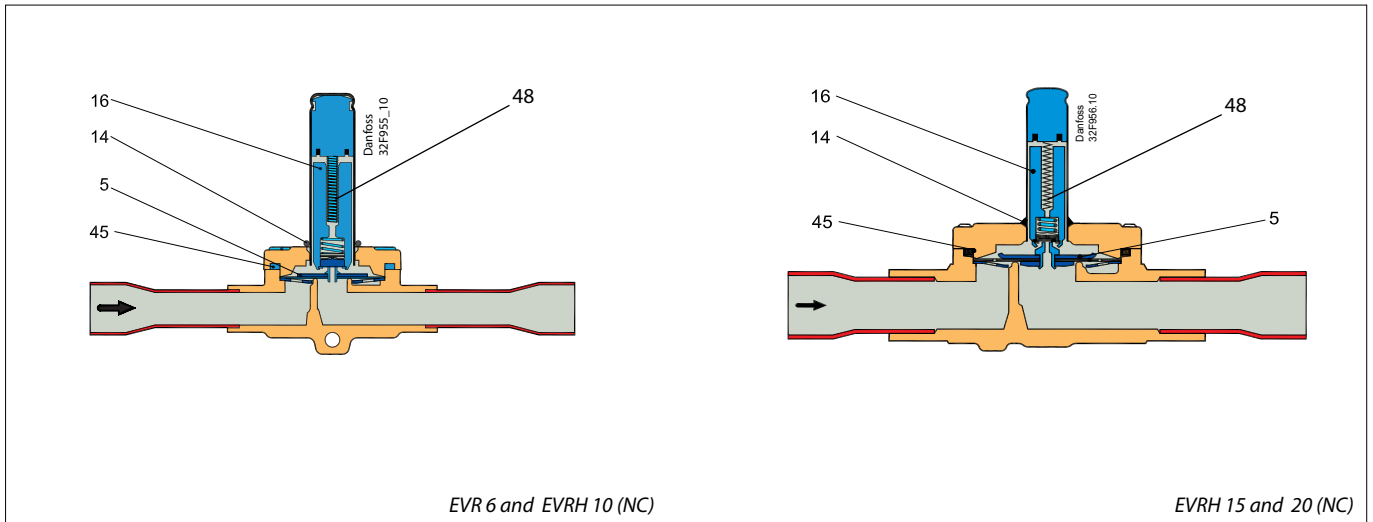


Data sheet – Spare parts and accessories

Solenoid valve
Types EVRH



EVR 6 and EVRH 10 (NC)

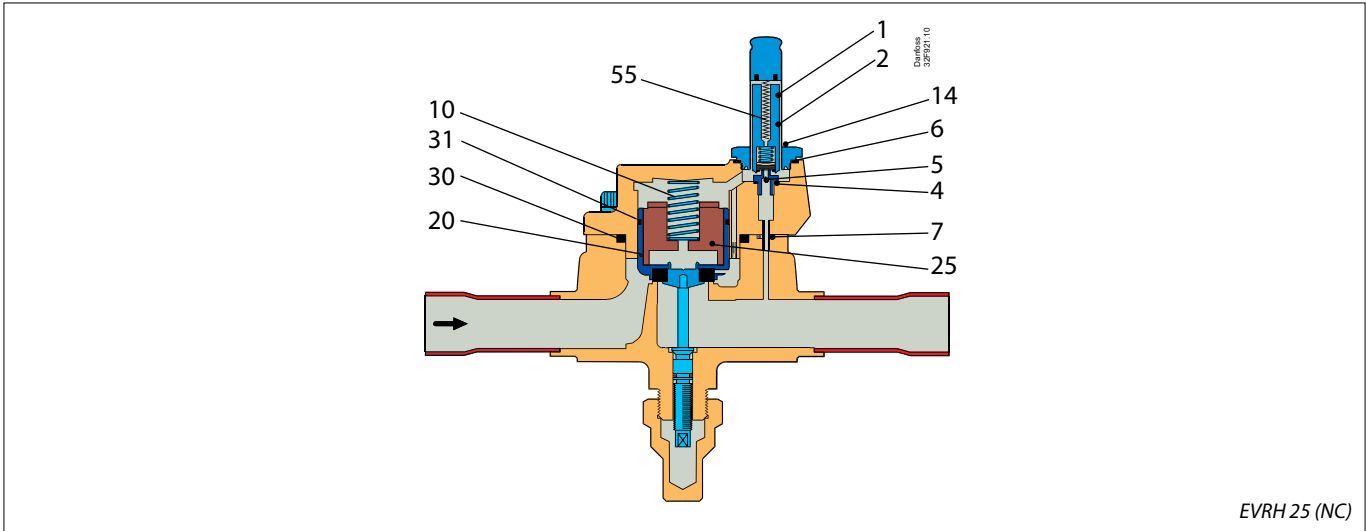
EVRH 15 and 20 (NC)

Type	Description	Pos. #	Qty.	Code no.
Seal kit				
EVR 6 – 8 (NC)	O-ring	14	1	032F8165
	Rubber gasket	45	1	

Type	Description	Pos. #	Qty.	Code no.
Service kit				
EVRH 10 – 20 (NC)	Diaphragm assembly (EVRH 6)	5	1	032G1090
	Diaphragm assembly (EVRH 10)	5	1	
	Diaphragm assembly (EVRH 15)	5	1	
	Diaphragm assembly (EVRH 20)	5	1	
	O-ring	14	1	
	Armature assembly (Teflon)	46	1	
	Rubber gaskets (EVRH 6)	45	1	
	Rubber gaskets (EVRH 10)	45	1	
Rubber gaskets (EVRH 15)	45	1		
Rubber gaskets (EVRH 20)	45	1		

Type	Description	Pos. #	Qty.	Code no.
Seal kit				
EVRH 10 – 20 (NC)	Packing (refrigeration gasket) (EVRH 20)	-	2	032F8196
	Refrigeration gasket (EVRH 15)	-	2	
	O-ring, Armature tube	14	1	
	Rubber gasket (EVRH 10)	45	1	
	Rubber gasket (EVRH 15-18)	45	1	
Rubber gasket (EVRH 20)	45	1		

EVRH Solenoid valves



EVRH 25 (NC)

Type	Description	Pos. #	Qty.	Code no.
------	-------------	--------	------	----------

Piston service kit

EVRH 25 (NC)	O-ring	7	1	032F3236
	Compression spring	10	1	
	O-ring	14	1	
	Piston assembly	20	1	
	Insert block	25	1	
	Rubber gasket	30	1	
	Piston ring	31	1	

Pilot service kit

EVRH 25 (NC)	Armature assembly	1	1	042H0165
	Armature tube	2	1	
	Al. gasket	4	1	
	Nozzle	5	1	
	Al. gasket	6	1	
	O-ring	14	1	
	Compression spring	55	1	

Type	Description	Pos. #	Qty.	Code no.
------	-------------	--------	------	----------

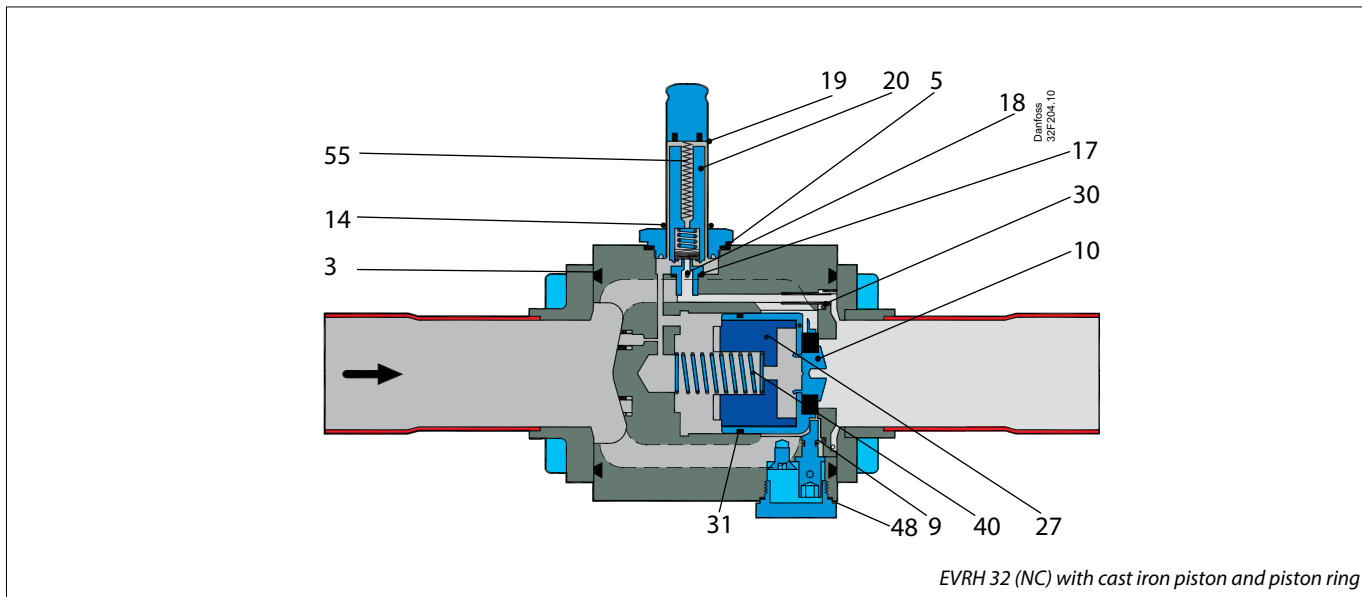
Seal kit

EVRH 25 (NC)	Al. gasket	4	1	032F2326
	Al. gasket	6	1	
	O-ring	7	1	
	O-ring	14	1	
	Rubber gasket	30	1	

Note!

All code nos. are valid for EVRH 25 with stainless steel piston as well as for EVRH 25 with cast iron piston.

EVRH Solenoid valves



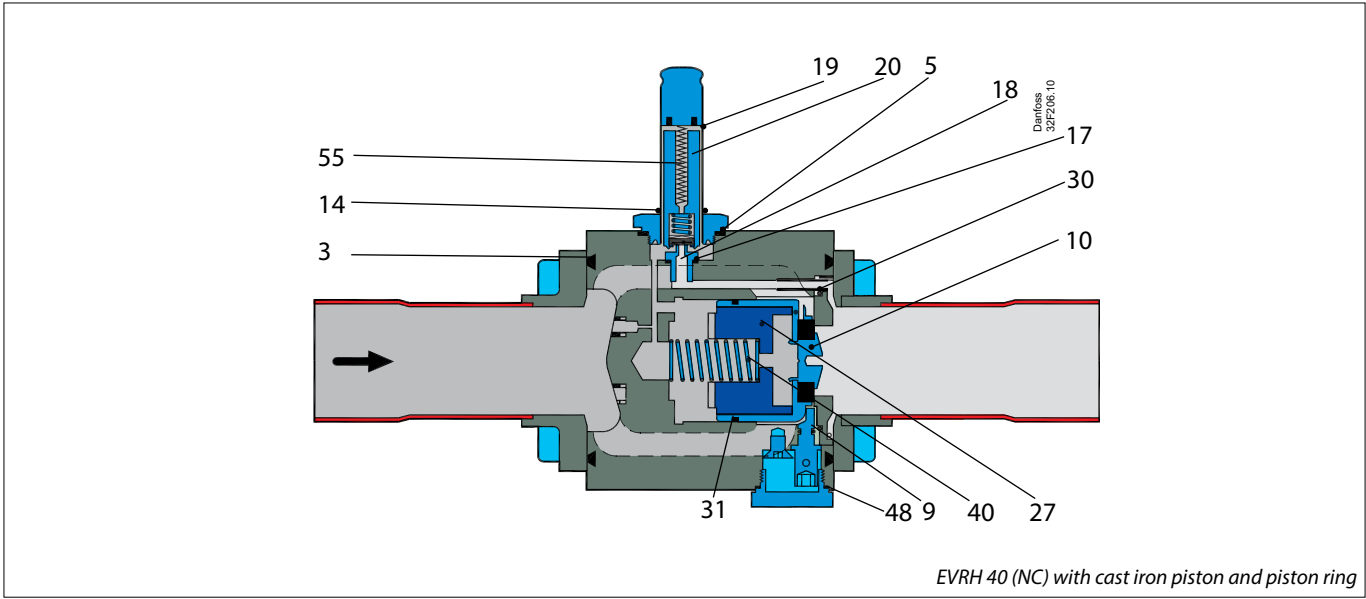
EVRH 32 (NC) with cast iron piston and piston ring

Type	Description	Pos. #	Qty.	Code no.
Piston service kit				
EVRH 32 (NC)	O-ring	3	2	042H0172
	Al. gasket	5	1	
	O-ring	9	1	
	Piston assembly	10	1	
	O-ring	14	1	
	Insert block	27	1	
	O-ring	30	1	
	Piston ring	31	1	
	Compression spring	40	1	
Refrigeration gasket	48	1		

Type	Description	Pos. #	Qty.	Code no.
Pilot service kit				
EVRH 32 (NC)	Al. gasket	5	1	042H0165
	O-ring	14	1	
	Al. gasket	17	1	
	Orifice	18	1	
	Armature tube	19	1	
	Armature assembly	20	1	
	Compression spring	55	1	

Type	Description	Pos. #	Qty.	Code no.
Seal kit				
EVRH 32 (NC)	O-ring	3	2	032F2327
	Al. gasket	5	1	
	O-ring	9	1	
	O-ring	14	1	
	Al. gasket	17	1	

EVRH Solenoid valves



EVRH 40 (NC) with cast iron piston and piston ring

Type	Description	Pos. #	Qty.	Code no.
Piston service kit				
EVRH 40 (NC)	O-ring	3	2	042H0173
	Al. gasket	5	1	
	O-ring	9	1	
	Piston assembly	10	1	
	O-ring	14	1	
	Insert block	27	1	
	O-ring	30	1	
	Piston ring	31	1	
	Compression spring	40	1	
Refrigeration gasket	48	1		

Type	Description	Pos. #	Qty.	Code no.
Seal kit				
EVRH 40 (NC)	O-ring	3	2	032F2327
	Al. gasket	5	1	
	O-ring	9	1	
	O-ring	14	1	
	Al. gasket	17	1	

Type	Description	Pos. #	Qty.	Code no.
Pilot service kit				
EVRH 40 (NC)	Al. gasket	5	1	042H0165
	O-ring	14	1	
	Al. gasket	17	1	
	Orifice	18	1	
	Armature tube	19	1	
	Armature assembly	20	1	
	Compression spring	55	1	