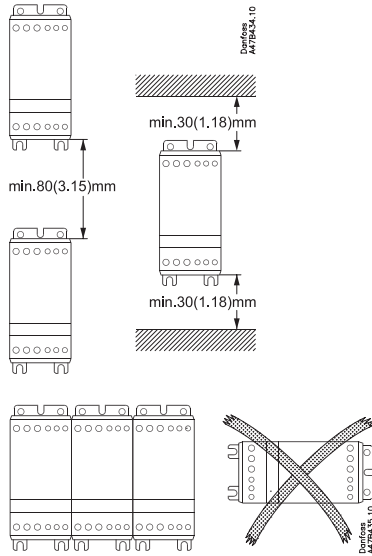


047C423

Montering - Mounting - Montage

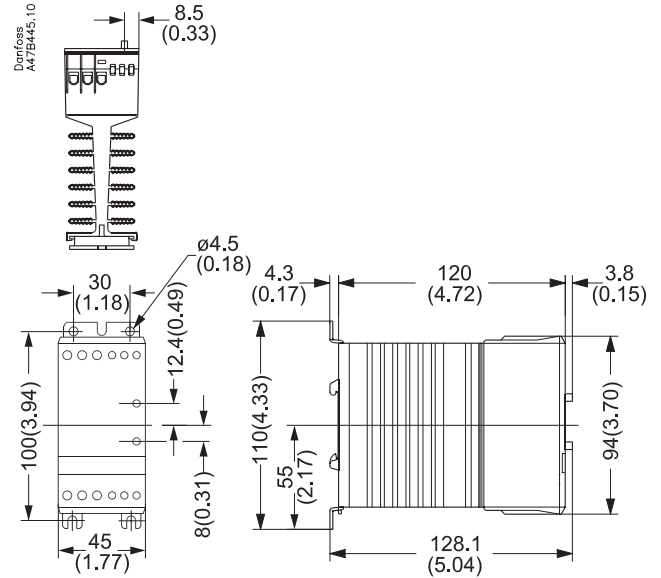
mm (inch)



DK Hvis enhed er monteret vandret reducer strøm med 50%
 UK If unit is mounted horizontally derate current by 50%
 D Falls Einheit horizontal montiert wird, reduziert sich der Strom um 50%.

Mål - Dimensions - Abmessungen

mm (inch)

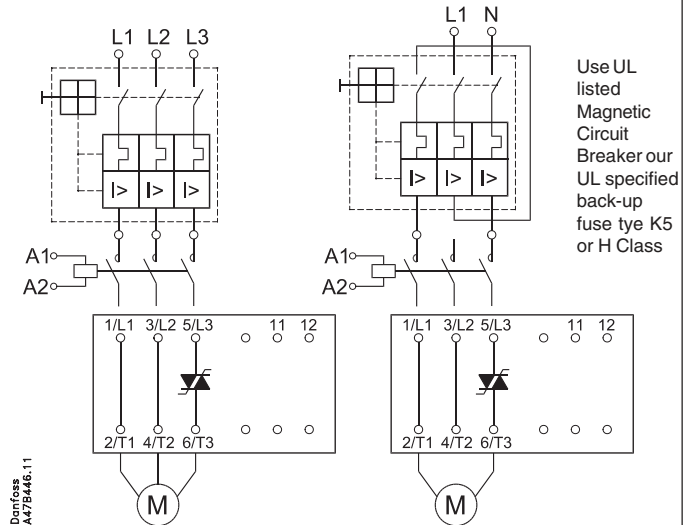


DK Køleplade skal holdes ren. Luftstrøm må ikke blokeres
 UK Keep heat sink clean. Airflow should not be blocked
 D Kühlfächen freihalten. Luftstrom muß ungehindert fließen

Forbindelse - Wiring - Verdrahtung

| 75°C Cable/ Wire | mm ² (AWG) | mm ² (AWG) |
|---------------------|--|---------------------------------------|
| ** | 0.75 - 4 (18 - 12) | 0.5 - 1.5 (20 - 16) |
| | 2 x 1 (2 x 18) | 2 x 0.5 - 0.75 (2 x 20 - 18) |
| ** | 0.75 - 6 (18 - 10) | 0.5 - 1.5 (20 - 16) |
| | 2 x 0.75 - 2.5 (2 x 18 - 14) | 2 x 0.5 - 1.5 (2 x 20 - 16) |
| ** | 0.75 - 6 (18 - 10) | 0.5 - 1.5 (20 - 16) |
| | 2 x 0.75 - 1.5 (2 x 18 - 16) | 2 x 0.5 - 1.5 (2 x 20 - 16) |
| | Pozidrive 1 0.5 Nm max. 4.4 lb-in max. | N.A. |
| | 4 mm 0.5 Nm max. 4.4 lb-in max. | 3 mm 0.5 Nm max. 4.4 lb-in max. |

- **Vigtigt:** (Overhold max. skruedrejningsmomenter)
- **Important:** (Observe the maximum screw torque limits)
- **Wichtig:** (Max. Drehmoment beachten)
- * Use copper conductor only
- ** UL tested



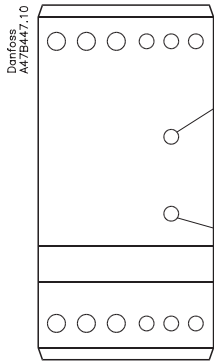
Danfoss A47B445.11

NB:
 DK Hvis beskyttet med sikringer, se specifikationer i datablad
 UK If protection with fuses, see recommendations in data sheet
 D Falls Sicherungen verwendet werden, Empfehlungen im Datenblatt beachten

P.S.
 This product has been designed for class A equipment. Use of the product in domestic environment may cause radio interference, in which case the user may be required to employ additional mitigation methods.

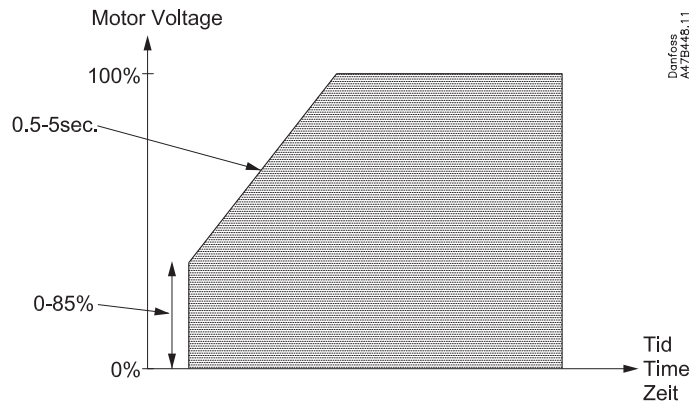
UL: Use thermal overload protection as required by the National Electric Code
 UL: When protected by a non-time delay K5 or H Class fuse, rated 266% of motor FLA, this device is rated for use on a circuit capable of delivering not more than 5,000 rms. symmetrical amperes, 600 V maximum. Maximum surrounding temperature 40°C

Indstilling - Settings - Einstellungen



Start Rampe tid
Ramp-up time
Zeit Startanstieg

Startmoment
Initial torque
Startleistung



Bemærkninger - Remarks - Bemerkungen

| | Dansk | English | Deutsch |
|------------|--|--|---|
| NB! | <ul style="list-style-type: none"> Anvend 2 mm x 0.5 mm skruetrækker. Gentagne starter kan resultere i at motor overbelastningsrelæ aktiveres. | <ul style="list-style-type: none"> Use 2 mm x 0.5 mm screwdriver. Repeated starts may trip motor protection relay. | <ul style="list-style-type: none"> Schraubenzieher 2 mm x 0.5 mm verwenden. Mehrfache Starts können das Motorschutzrelais auslösen. |

Startmoment indstilling - Initial torque setting - Einstellung der Startleistung

| | Dansk | English | Deutsch |
|---|--|---|--|
| <p>Ramp up time</p> <p>Initial torque</p> | <ol style="list-style-type: none"> Indstil Ramp-up kontakt til max. Indstil Initial Torque kontakt til min. Påtryk signalspænding i et par sekunder, hvis ikke motorakslen roterer øjeblikkelig efter start juster Initial torque en deling op. Gentag indtil motoraksel roterer øjeblikkelig efter start. | <ol style="list-style-type: none"> Set Ramp-up switch to max. Set Initial torque switch to min. Apply control signal for a few seconds. If the load does not rotate immediately increase the Initial torque for one step and try again. Repeat until the load starts to rotate immediately on start up. | <ol style="list-style-type: none"> Ramp-up Schalter auf max. stellen Initial torque Schalter auf min. stellen Steuersignal einige Sekunden betätigen. Falls der Motor nicht sofort anläuft Initial torque schrittweise erhöhen, bis der Motor anläuft. |

Start rampe indstilling - Ramp up settings - Einstellung der Startanstiegszeit

| | Dansk | English | Deutsch |
|---------------------|---|---|---|
| <p>Ramp up time</p> | <ol style="list-style-type: none"> Indstil Ramp-up tiden til max. og start motor. Gradvis nedsæt Ramp-up tiden indtil motor starter som ønsket. | <ol style="list-style-type: none"> Set Ramp-up switch to max. and start motor. Decrease the Ramp-up time until desired start is achieved. | <ol style="list-style-type: none"> Ramp-up Schalter auf max. stellen. Ramp-up Zeit solange verkürzen bis der Motor wie gewünscht anläuft. |