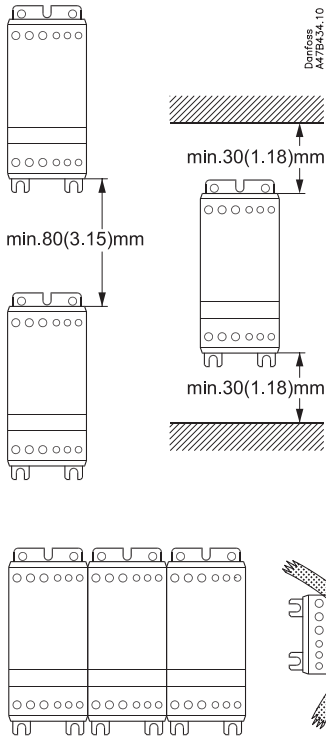


Montering - Mounting - Montage

mm (inch)



DK Hvis enhed er monteret vandret reducer strøm med 50%
 UK If unit is mounted horizontally derate current by 50%
 D Falls Einheit horizontal montiert wird, reduziert sich der Strom um 50%.

Forbindelse - Wiring - Verdrahtung

| 75°C Kabel/ wire* | mm ² (AWG) | mm ² (AWG) |
|----------------------|--|---------------------------------------|
| | 0.75 - 4 (18 - 12) | 0.5 - 1.5 (20 - 16) |
| | 2 x 1 (2 x 18) | 2 x 0.5 - 0.75 (2 x 20 - 18) |
| | 0.75 - 6 (18 - 10) | 0.5 - 1.5 (20 - 16) |
| | 2 x 0.75 - 2.5 (2 x 18 - 14) | 2 x 0.5 - 1.5 (2 x 20 - 16) |
| | 0.75 - 6 (18 - 10) | 0.5 - 1.5 (20 - 16) |
| | 2 x 0.75 - 1.5 (2 x 18 - 16) | 2 x 0.5 - 1.5 (2 x 20 - 16) |
| | Pozidrive 1 0.5 Nm max. 4.4 lb-in max. | N.A. |
| | 4 mm 0.5 Nm max. 4.4 lb-in max. | 3 mm 0.5 Nm max. 4.4 lb-in max. |

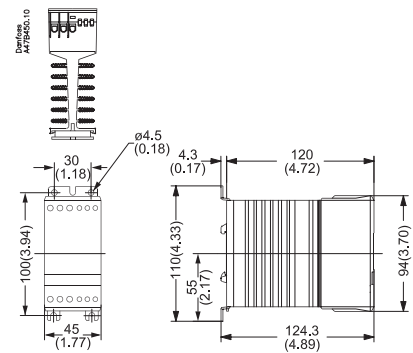
- **Vigtigt:** (Overhold max. skruedrejningsmomenter)
 - **Important:** (Observe the maximum screw torque limits)
 - **Wichtig:** (Max. Drehmoment beachten)
- * Use copper conductor only

UL: Use thermal overload protection as required by the National Electric Code
 Maximum surrounding temperature 40 °C.

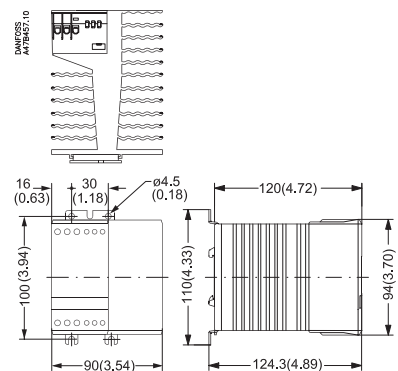
Mål - Dimensions - Abmessungen

mm (inch)

ECI 10



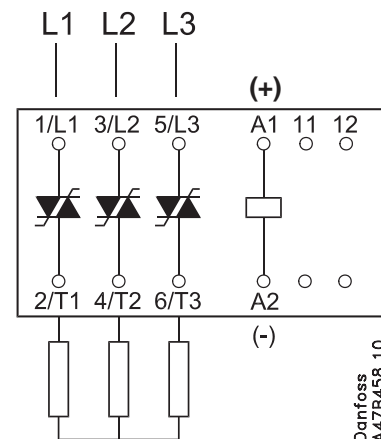
ECI 20



DK Køleplade skal holdes ren. Luftstrøm må ikke blokeres
 UK Keep heat sink clean. Airflow should not be blocked
 D Kühlflächen freihalten. Luftstrom muß ungehindert fließen

⚡ A1 - A2

| | |
|------------------|-------------------|
| 24-230 V ≡ | 5-24 V ≡ |
| 037N0025 - N0030 | 037N0031 - N 0036 |



Danfoss
A47BA56.10