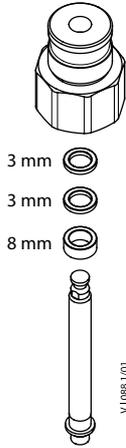


## Installation Guide

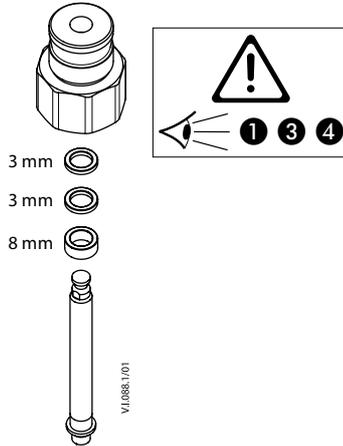
### Adapter VFG(S), VFU, VFQ, AFT, AFQM

|  |         |
|--|---------|
|  | □ 9 mm  |
|  | □ 46 mm |

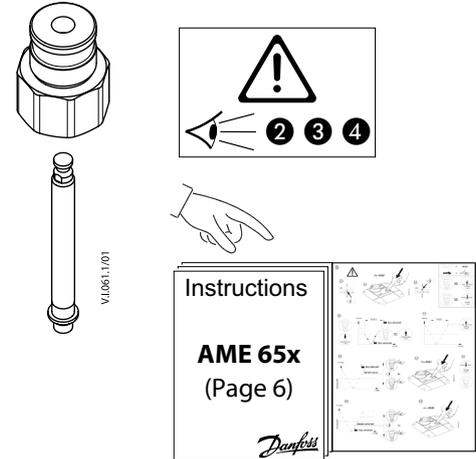


Code No. - 065B3527

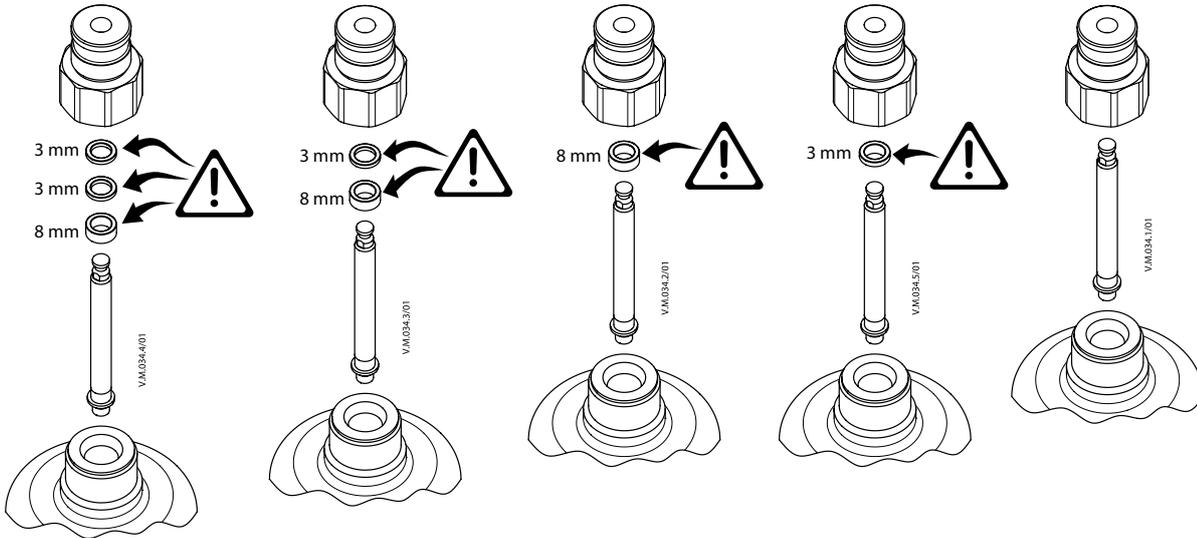
#### With mechanical stroke limitation AMV(E) 65x, 55/56



#### With electrical stroke limitation AME 65x



### 1 For actuator AMV(E) 65x, 55/56



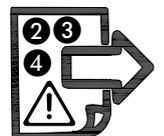
| Type   | DN    |
|--------|-------|
| VFG 2  | 15-25 |
| VFG 21 |       |
| VFGS 2 |       |
| VFU 2  |       |
| VFU 21 |       |
| VFQ 2  |       |
| VFQ 21 |       |
| /      | /     |

| Type   | DN    |
|--------|-------|
| VFG 2  | 32-40 |
| VFG 21 |       |
| VFGS 2 |       |
| VFU 2  |       |
| VFU 21 | 25-32 |
| VFQ 2  |       |
| VFQ 21 |       |
| VFG 33 | 40-50 |
| VFG 34 |       |

| Type   | DN    |
|--------|-------|
| VFG 2  | 50-65 |
| VFG 21 |       |
| VFGS 2 |       |
| VFU 2  |       |
| VFU 21 |       |
| VFQ 2  | 40-50 |
| VFQ 21 |       |
| VFG 33 |       |
| VFG 34 | 65-80 |

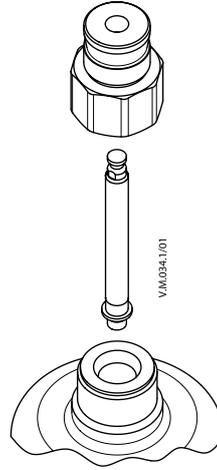
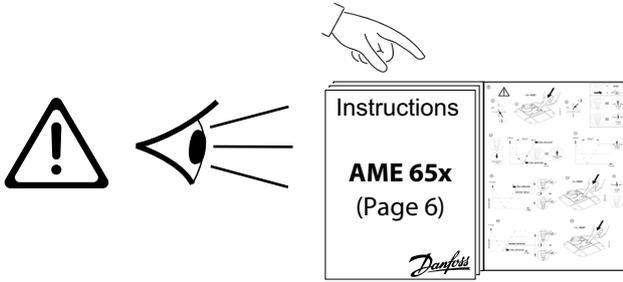
| Type   | DN    |
|--------|-------|
| /      | /     |
| VFG 33 | 65-80 |
| VFG 34 |       |

| Type   | DN      |
|--------|---------|
| VFG 2  | 80-125  |
| VFG 21 |         |
| VFGS 2 |         |
| VFU 2  |         |
| VFU 21 |         |
| VFQ 2  |         |
| VFQ 21 | 100-125 |
| VFG 33 |         |
| VFG 34 |         |



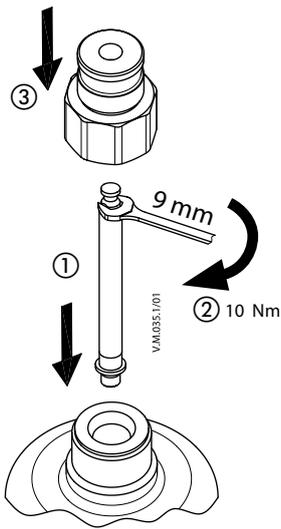
# Installation Guide Adapter VFG(S), VFU, VFQ, AFT, AFQM

## 2 For actuator AME 65x



| Type   | DN     |
|--------|--------|
| VFG 2  | 15-125 |
| VFG 21 |        |
| VFGS 2 |        |
| VFU 2  |        |
| VFU 21 |        |
| VFG 2  | 25-125 |
| VFQ 21 |        |
| VFG 33 |        |
| VFG 34 |        |

## 3 For AMV(E) 65x , 55/56



| Type                    | DN      |
|-------------------------|---------|
| VFG 2                   | 150-250 |
| VFQ 2                   |         |
| VFQ 21                  |         |
| VFG 21                  |         |
| VFGS 2                  |         |
| AFQM PN25 <sup>1)</sup> | 50-125  |
| AFQM 6 <sup>1)</sup>    | 40-50   |

1) not applicable for valves produced after March 2015

## 4 For AMV(E) 65x , 55/56

