

Data sheet

## Solenoid coils for electric expansion and solenoid valves with UL approval

Type BJ and BX



BJ and BX are a series of coils with UL approval. The coils are designed to be used with Danfoss electric expansion and solenoid valves.

### Features

- High reliability and long lifetime
- Easy mounting and dismounting
- UL approved coil range
- Covering standard voltage and frequency
- Two electrical connection versions

### Approval

 us Listed

**Data sheet | Solenoid coils, Type BJ and BX**
**Technical data**
*Design*

In accordance with UL 429

*Power supply*

Alternating current (AC)

*Permissible voltage variation*

 Alternating current (AC):  
 50 Hz and 60 Hz: -15% to +10%  
 50/60 Hz: ± 10%

*Power consumption*

 Alternating current (AC): Inrush: 49 VA;  
 Holding: 28 VA, 16 W

*Insulation of coil wire*

Class H according to IEC 85

*Connection*

Junction box or Conduit boss

*Enclosure, IEC 60529*

 Junction box NEMA 2 ~ IP 12-32  
 Conduit boss NEMA 4 ~ IP 54

*Ambient temperature*

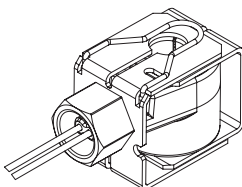
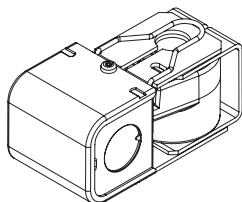
-40 – 122 °F (-40 – 50 °C)

*Humidity*

0 – 97% non-condensation condition

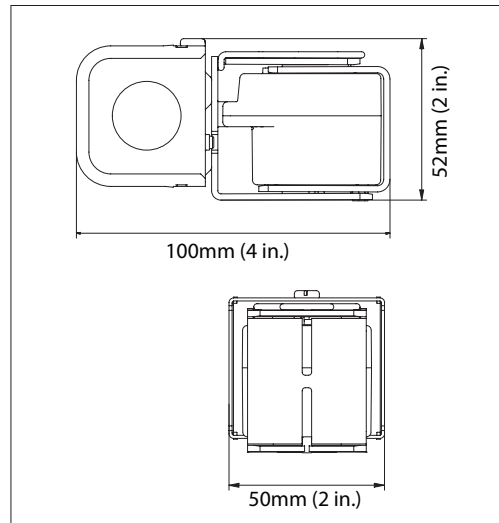
**Ordering**

BJ and BX Coils

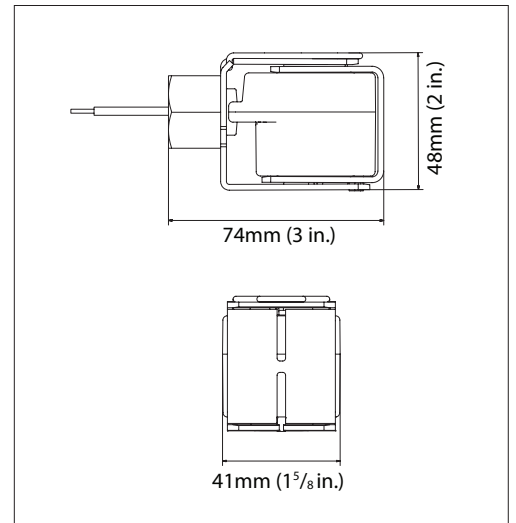


Valve type	Coil type	Wire length		Voltage [V AC]	Frequency [Hz]	Power consumption [W]	Code no.
		[in.]	[cm]				
Junction box NEMA 2							
AKV / EVR EVRH / EVRA EVRAT / EVRS EVRST / EVM EV220B 6-50 EV210B EV215B EV225B EV250B	BJ024CS	7	18	24	50 / 60	14	<b>018F4100</b>
	BJ120CS	7	18	110 120	50 / 60 60	16 15	<b>018F4110</b>
	BJ240CS	7	18	208 – 240 230	60 50	14 17	<b>018F4120</b>
AKVH / EVRH	BJ120BS	7	18	120	60	16	<b>018F4130</b>
	BJ208BS	7	18	208	60	16	<b>018F4132</b>
	BJ240BS	7	18	240	60	16	<b>018F4134</b>
Conduit boss NEMA 4							
AKV / EVR EVRH / EVRA EVRAT / EVRS EVRST / EVM EV220B 6-50 EV210B EV215B EV225B EV250B	BX024CS	18	46	24	50 / 60	14	<b>018F4102</b>
	BX024CS	71	180	24	50 / 60	14	<b>018F4103</b>
	BX024CS	98	250	24	50 / 60	14	<b>018F4104</b>
	BX120CS	18	46	110 120	50 / 60 60	16 15	<b>018F4112</b>
	BX120CS	36	91				<b>018F4113</b>
	BX120CS	71	180				<b>018F4114</b>
	BX120CS	98	250				<b>018F4115</b>
	BX240CS	18	46	208 – 240 230	60 50	14 17	<b>018F4122</b>
	BX240CS	98	250				<b>018F4123</b>
	AKVH / EVRH	BX120BS	98	250	120	60	16
BX208BS		98	250	208	60	16	<b>018F4133</b>
BX240BS		98	250	240	60	16	<b>018F4135</b>

**Dimensions and weight**



**Junction box**  
Weight 0.860 lbs / 0.39 kg



**Conduit boss**  
Weight 0.717 lbs / 0.33 kg