

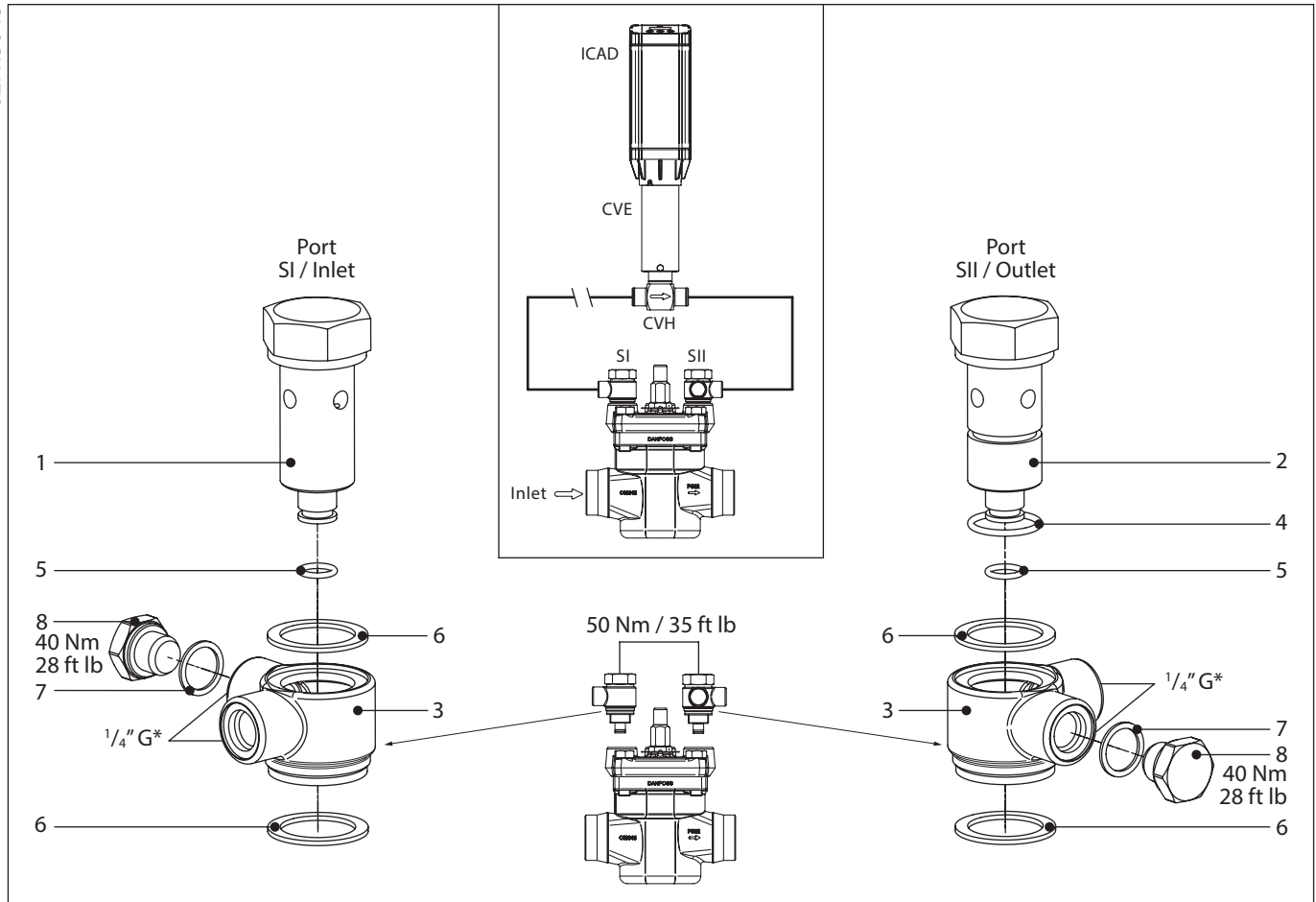
Installation guide - Spare parts and accessories

# CVE pilot valve

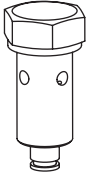
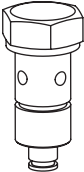

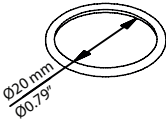
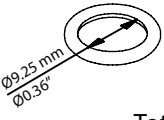
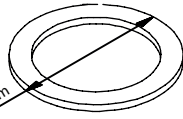
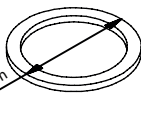
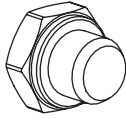
## Inlet and outlet fittings for external pilot lines | 027B0995

027R5045

027R5045



\*Welding connector (code number 027B2035). For more details please look up the code number on [www.danfoss.com](http://www.danfoss.com)

<p><b>1</b></p>  <p>Total no. = 1</p>	<p><b>2</b></p>  <p>Total no. = 1</p>	<p><b>3</b></p>  <p>Total no. = 2</p>	<p><b>4</b></p>  <p>Total no. = 1</p>
<p><b>5</b></p>  <p>Total no. = 2</p>	<p><b>6</b></p>  <p>Total no. = 4</p> <p>▨ = Fibre</p>	<p><b>7</b></p>  <p>Total no. = 2</p> <p>▨ = Alu.</p>	<p><b>8</b></p>  <p>Total no. = 2</p>

Use plug A + B (code number 027F1046) in Port P if no parallel function is required. For more details please look up the code number on [www.danfoss.com](http://www.danfoss.com)