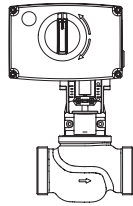
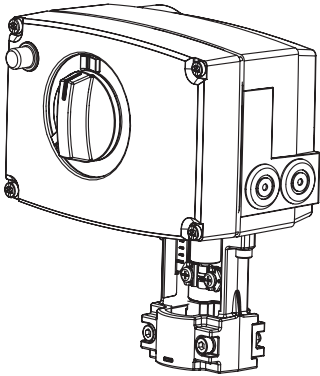
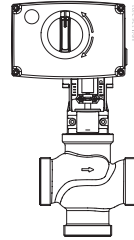


Operating Guide

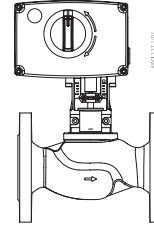
AMV 25, AMV 35



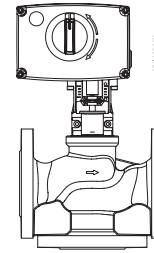
AMV 25, AMV 35 + Adapter (065Z0311) + VRB 2, VRG 2 (DN 15-50)



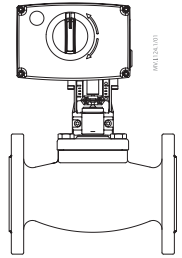
AMV 25, AMV 35 + Adapter (065Z0311) + VRB 3, VR3 2 (DN 15-50)



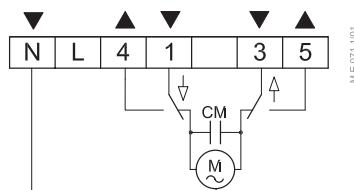
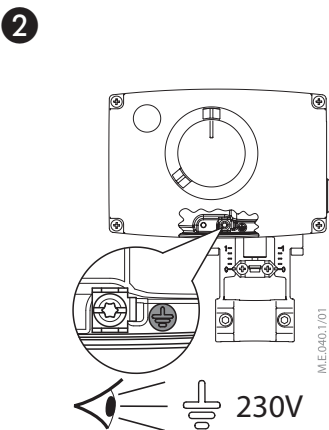
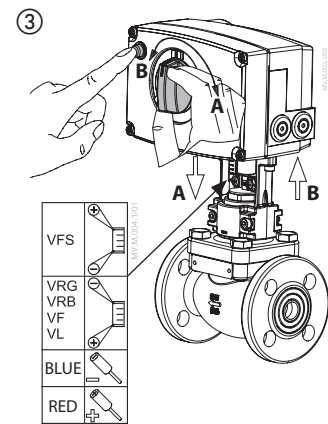
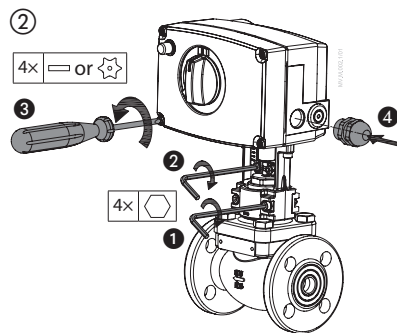
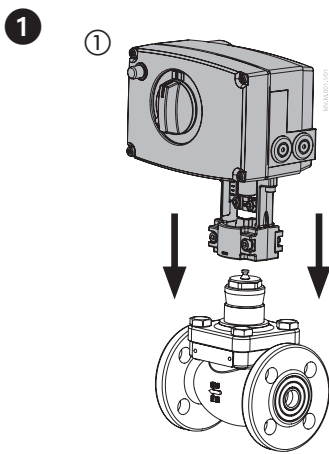
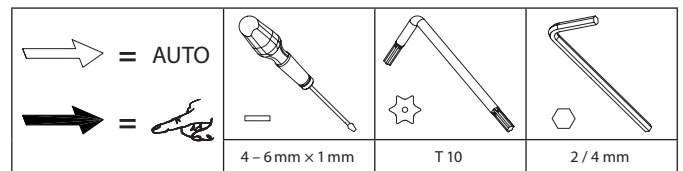
AMV 25, AMV 35 + Adapter (065Z0311) + VF 2, VL 2 (DN 15-50)



AMV 25, AMV 35 + Adapter (065Z0311) + VF 3, VL 3 (DN 15-50)



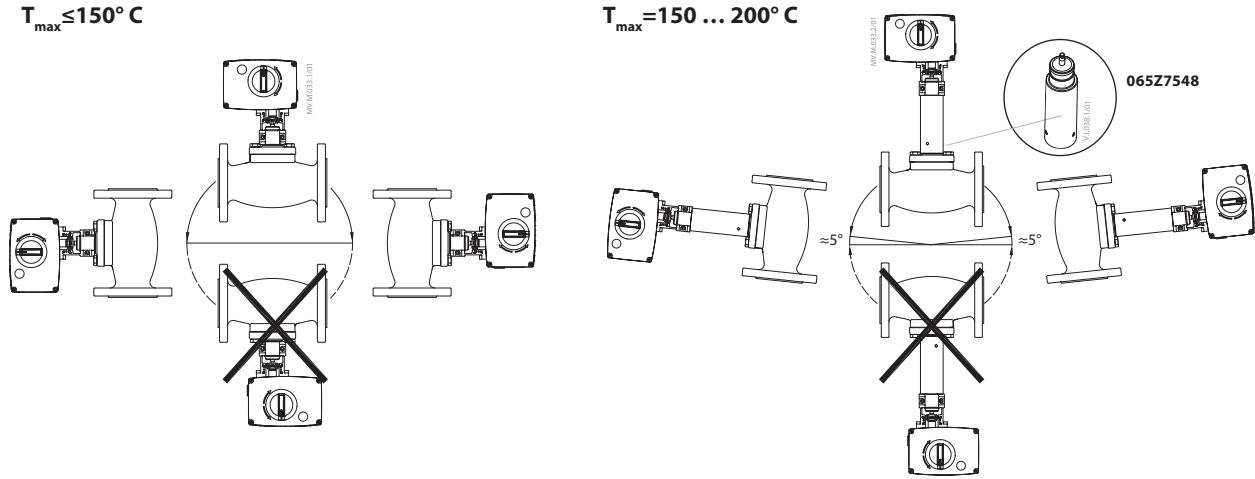
AMV 25, AMV 35 + VFS 2 (DN 15-50)



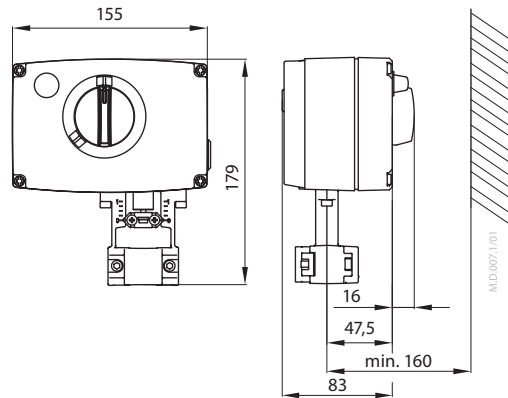
N	0 V	Neutral
1	Input power supply	 082G3023 24 V 082G3020
3		 082G3024 230 V 082G3021
4, 5		Output

AMV 25, AMV 35

3



4



部件名称 Part Name	有害物质含量表 Hazardous Substances Table					
	铅 (Pb)	汞 (Hg)	镉 (Cd)	六价铬 (Cr(VI))	多溴联苯 (PBB)	多溴二苯醚 (PBDE)
Housing/ 外壳	X	O	O	O	O	O
Bushings/ 轴套管	X	O	O	O	O	O
Clamp/ 压板	X	O	O	O	O	O
Yoke/ 连接架	X	O	O	O	O	O

O: 表示该有害物质在该部件所有均质材料中的含量均在GB/T 26572规定的限量要求以下。
 O: Indicates that this hazardous substance contained in all of the homogeneous material for this part is below the limit requirement in GB/T 26572;
 X: 表示该有害物质至少在该部件的某一均质材料中的含量超出GB/T 26572规定的限量要求。
 X: Indicates that this hazardous substance contained in at least one of the homogeneous material for this part is above the limit requirement in GB/T 26572;