

Installation guide

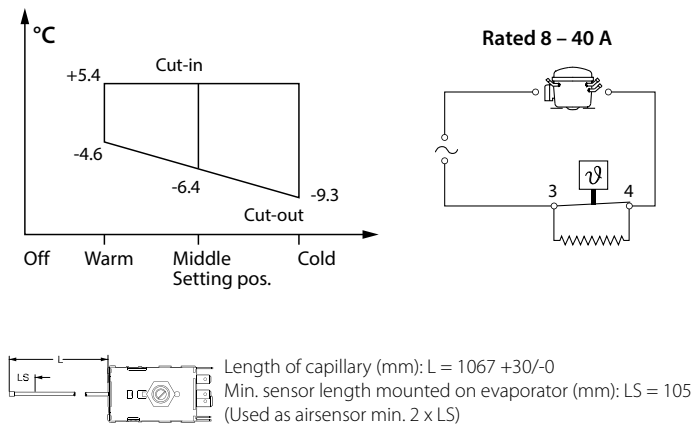
Service thermostats

Type 077B7

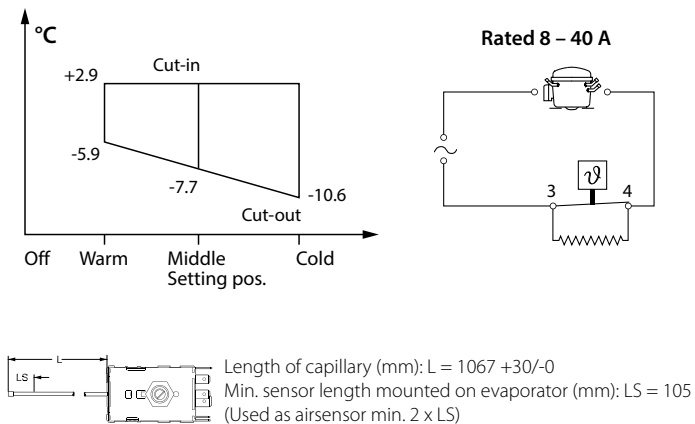
077R0702

077R0702

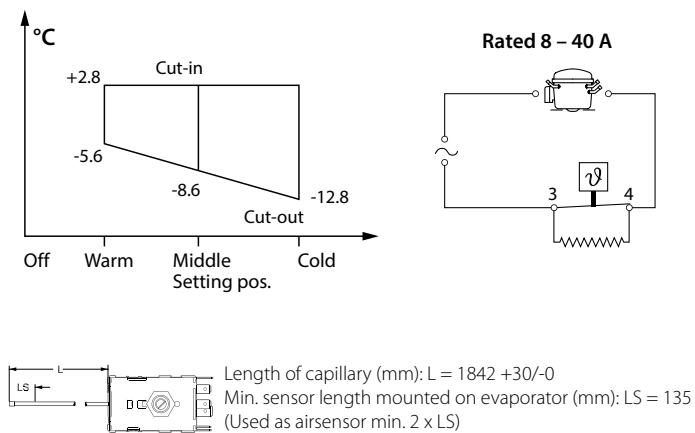
Service thermostats 077B7060 - Commercial Refrigerators



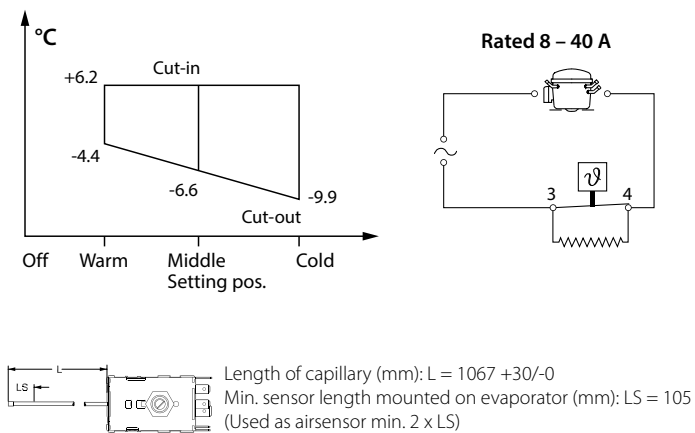
Service thermostats 077B7061 - Commercial Refrigerators



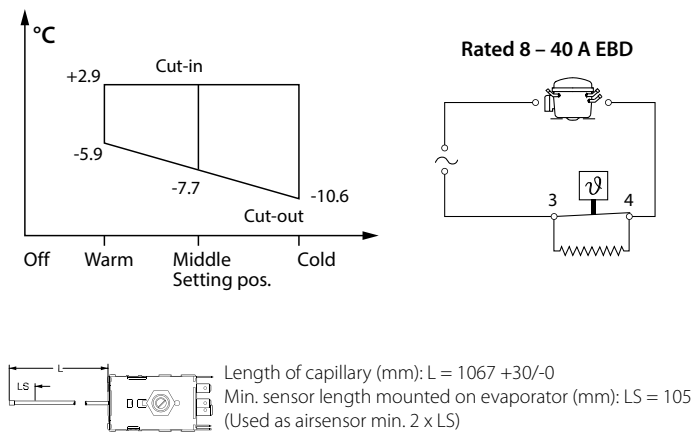
Service thermostats 077B7062 - Commercial Refrigerators



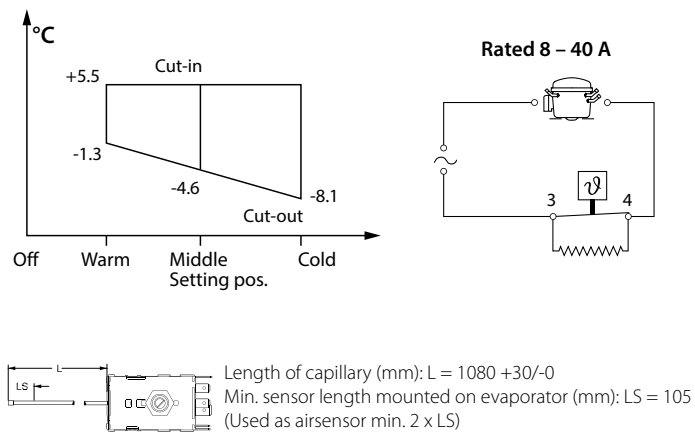
Service thermostats 077B7063 - Commercial Refrigerators



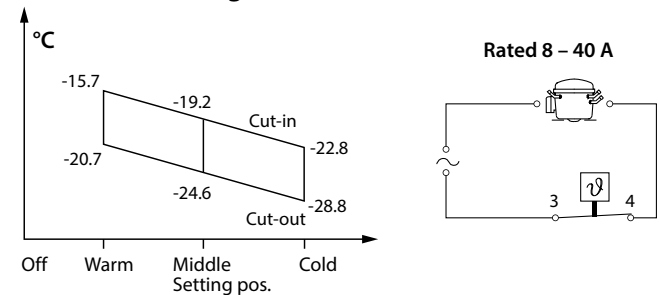
Service thermostats 077B7064 - Commercial Refrigerators



Service thermostats 077B7065 - Commercial Refrigerators

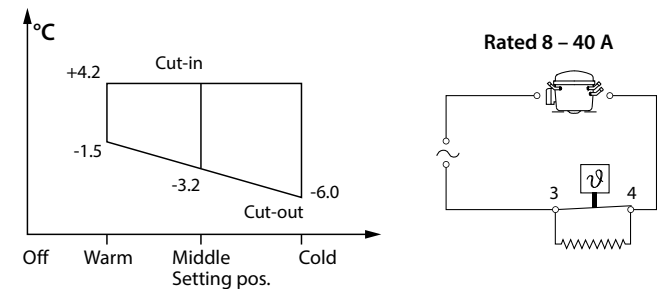


Service thermostats 077B7066 - Ice-cream cabinets and freezers without signal



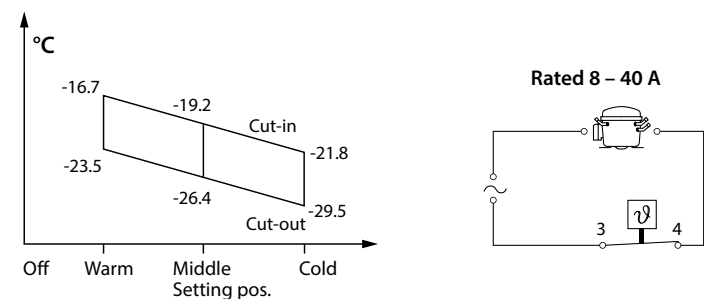
Length of capillary (mm): $L = 622 + 30/-0$
(Airsensor)

Service thermostats 077B7067 - Commercial Refrigerators



Length of capillary (mm): $L = 1087 + 30/-0$
Min. sensor length mounted on the evaporator (mm): $LS = 110$
(Used as airsensor min. $2 \times LS$)

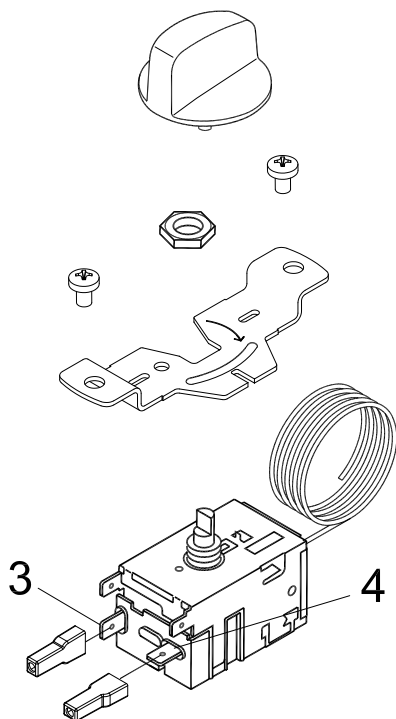
Service thermostats 077B7068 - Ice-cream cabinets and freezers without signal



Length of capillary (mm): $L = 623 + 30/-0$
(Airsensor)

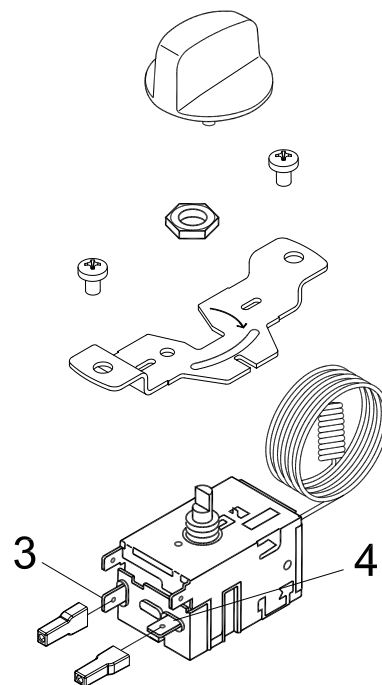
Accessories for

- 077B7060
- 077B7061
- 077B7062
- 077B7063
- 077B7064
- 077B7065
- 077B7067



Accessories for

- 077B7066
- 077B7068



The 077B...EBD, 077B...L EBD can be applied on systems with R290 and R600a as the working fluid.
For countries where safety standards are not an indispensable part of the safety system Danfoss recommend the installer to get a third party approval of the system containing flammable refrigerant.

Note: All temperatures at 760 mm Hg