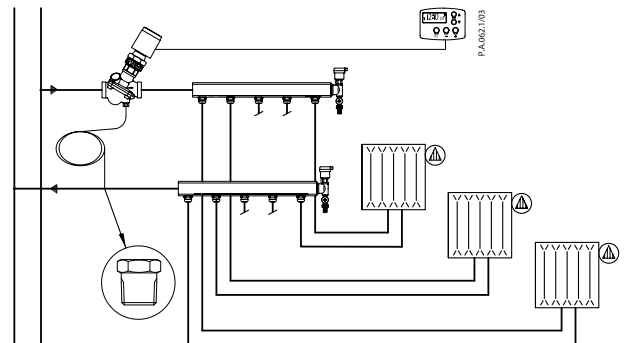
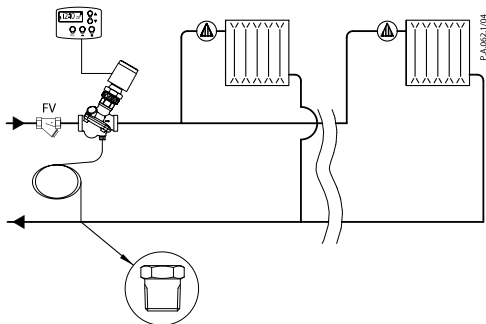
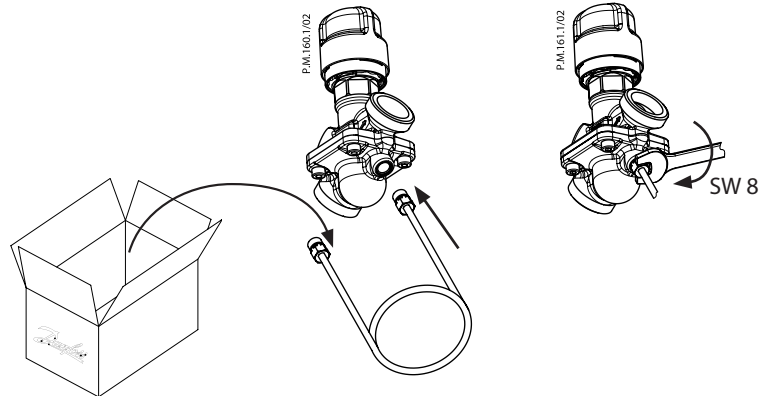
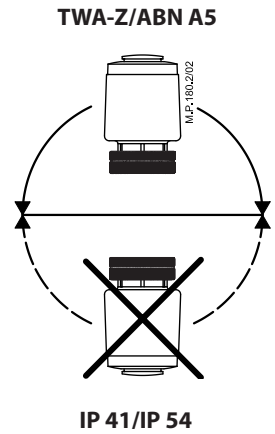
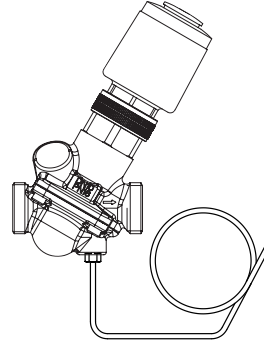
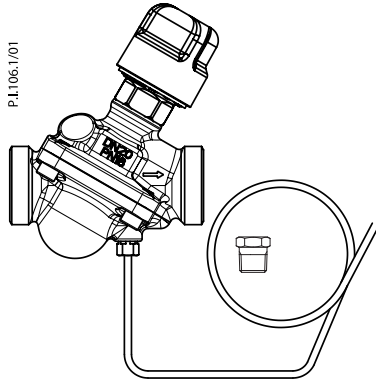


Operating Guide

# AB-PM/AB PM HP (DN 10-32)

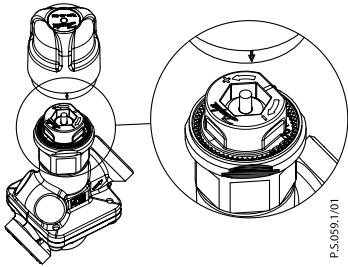


**AB-PM/AB-PM HP (DN 10-32)**

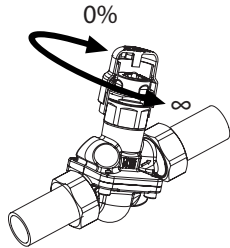
**Manual Shut-off-plastic**

Included with all AB-PM valves  
 $\Delta p$  max = 1 bar

Code No.:  
**003Z0250**

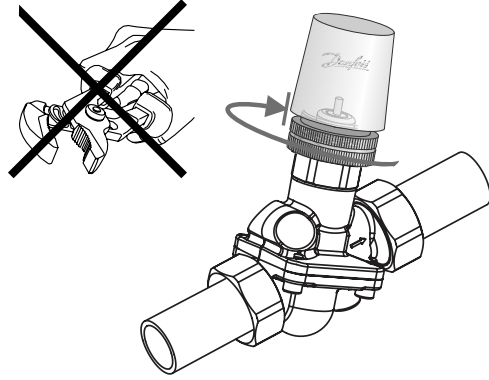


P.S.0951/01

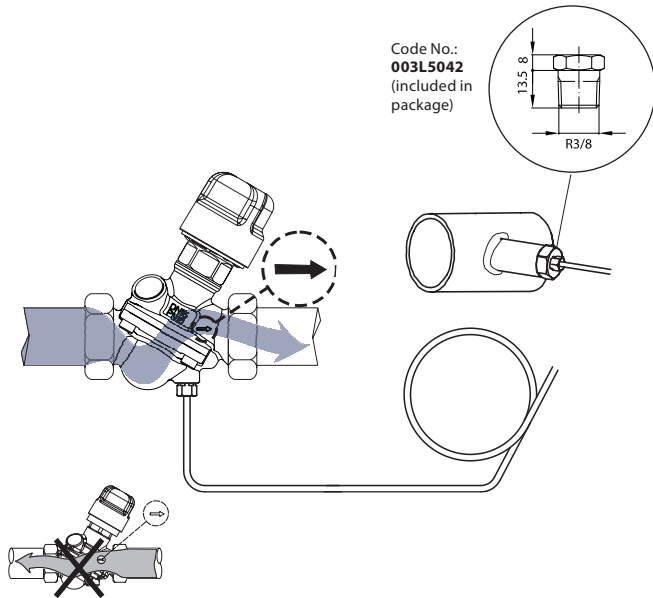


Clockwise: Close  
 Counter-Clockwise: Open

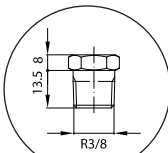
**Mounting actuator**



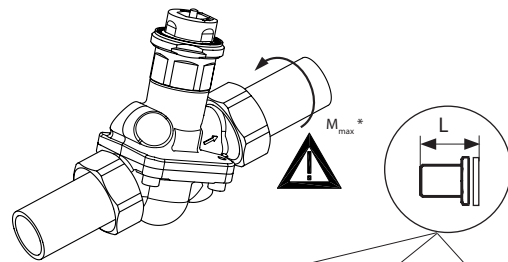
**Flow Direction**



Code No.:  
**003L5042**  
 (included in package)



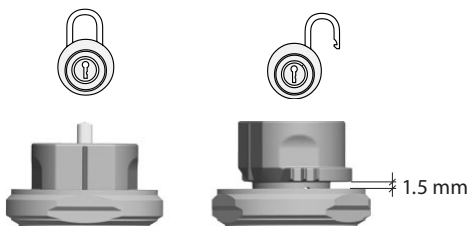
**Assembly**



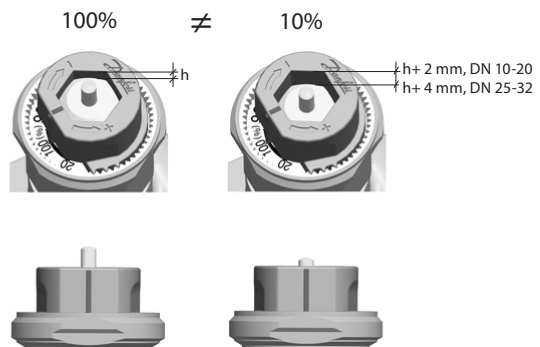
DN	To pipe		Weld.c.		Solder.c.		
	R	L (mm)	Code No.	L (mm)	Code No.	L (mm)	Code No.
10*	R 3/8	26	<b>003Z0231</b>			17	<b>065Z7016</b>
15	R 1/2	27.5	<b>003Z0232</b>	37	<b>003Z0226</b>	22	<b>065Z7017</b>
20	R 3/4	30.5	<b>003Z0233</b>	42	<b>003Z0227</b>		
25	R 1	35	<b>003Z0234</b>	42	<b>003Z0228</b>		
32	R 1 1/4	38.5	<b>003Z0235</b>	42	<b>003Z0229</b>		

\*  $M_{max}$  for DN 10 is 35 Nm

**Locking**



**Setting**



Danfoss can accept no responsibility for possible errors in catalogues, brochures and other printed material. Danfoss reserves the right to alter its products without notice. This also applies to products already on order provided that such alterations can be made without subsequential changes being necessary in specifications already agreed. All trademarks in this material are property of the respective companies. Danfoss and the Danfoss logotype are trademarks of Danfoss A/S. All rights reserved.