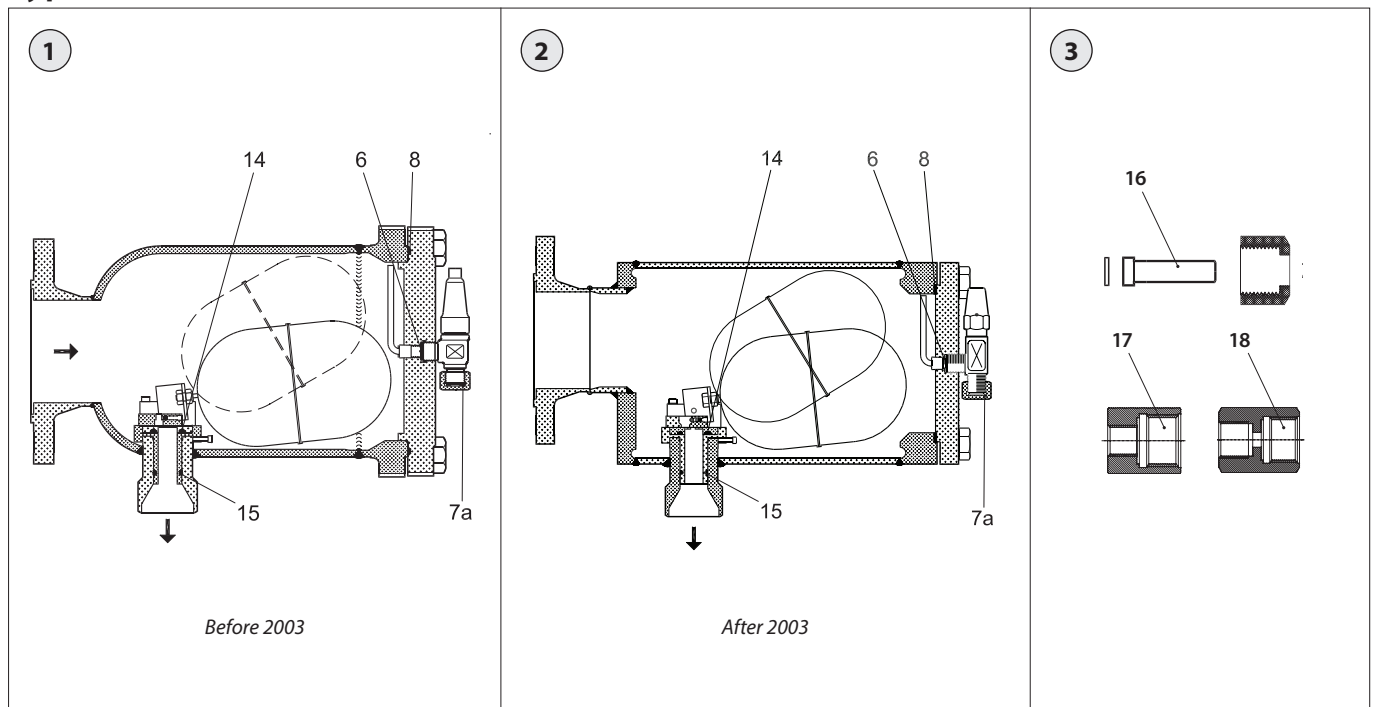


Data sheet – Spare parts and accessories

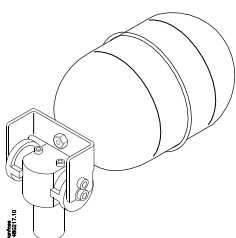
**Float valve  
Type HFI**



| Description                                | Type of nozzle (nominal capacity) | Pos. # | Qty. | Code no.        |
|--|-----------------------------------|--------|------|-----------------|
| <b>Repair kit, complete set of gaskets</b> |                                   |        |      |                 |
| Gasket                                     | 040                               | 6      | 1    | <b>2453+094</b> |
| Gasket                                     |                                   | 7a     | 1    |                 |
| O-ring for housing/end cover (Before 2003) |                                   | 8      | 1    |                 |
| Gasket for housing/end cover (After 2003)  |                                   | 8      | 1    |                 |
| O-ring                                     |                                   | 14     | 1    |                 |
| O-ring                                     |                                   | 15     | 1    |                 |
| <b>Repair kit, complete set of gaskets</b> |                                   |        |      |                 |
| Gasket                                     | 050                               | 6      | 1    | <b>2453+094</b> |
| Gasket                                     |                                   | 7a     | 1    |                 |
| O-ring for housing/end cover (Before 2003) |                                   | 8      | 1    |                 |
| Gasket for housing/end cover (After 2003)  |                                   | 8      | 1    |                 |
| O-ring                                     |                                   | 14     | 1    |                 |
| O-ring                                     |                                   | 15     | 1    |                 |
| <b>Repair kit, complete set of gaskets</b> |                                   |        |      |                 |
| Gasket                                     | 060                               | 6      | 1    | <b>2453+094</b> |
| Gasket                                     |                                   | 7a     | 1    |                 |
| O-ring for housing/end cover (Before 2003) |                                   | 8      | 1    |                 |
| Gasket for housing/end cover (After 2003)  |                                   | 8      | 1    |                 |
| O-ring                                     |                                   | 14     | 1    |                 |
| O-ring                                     |                                   | 15     | 1    |                 |
| <b>Repair kit, complete set of gaskets</b> |                                   |        |      |                 |
| Gasket                                     | 070                               | 6      | 1    | <b>2453+094</b> |
| Gasket                                     |                                   | 7a     | 1    |                 |
| O-ring for housing/end cover (Before 2003) |                                   | 8      | 1    |                 |
| Gasket for housing/end cover (After 2003)  |                                   | 8      | 1    |                 |
| O-ring                                     |                                   | 14     | 1    |                 |
| O-ring                                     |                                   | 15     | 1    |                 |

| Description                                     | Type of nozzle (nominal capacity) | Pos. # | Qty. | Code no.        |
|---|-----------------------------------|--------|------|-----------------|
| <b>Complete renewal kit*</b>                    |                                   |        |      |                 |
| Gasket  | 040                               | 6      | 1    | <b>148G3661</b> |
| Gasket  |                                   | 7a     | 1    |                 |
| O-ring for housing/end cover (Before 2003)      |                                   | 8      | 1    |                 |
| Gasket for housing/end cover (After 2003)       |                                   | 8      | 1    |                 |
| Complete insert including the float ball (R717) |                                   | -      | 1    |                 |
|   |                                   |        |      |                 |
| Gasket  | 050                               | 6      | 1    | <b>148G3662</b> |
| Gasket  |                                   | 7a     | 1    |                 |
| O-ring for housing/end cover (Before 2003)      |                                   | 8      | 1    |                 |
| Gasket for housing/end cover (After 2003)       |                                   | 8      | 1    |                 |
| Complete insert including the float ball (R717) |                                   | -      | 1    |                 |
|   |                                   |        |      |                 |
| Gasket  | 060                               | 6      | 1    | <b>148G3663</b> |
| Gasket  |                                   | 7a     | 1    |                 |
| O-ring for housing/end cover (Before 2003)      |                                   | 8      | 1    |                 |
| Gasket for housing/end cover (After 2003)       |                                   | 8      | 1    |                 |
| Complete insert including the float ball (R717) |                                   | -      | 1    |                 |
|   |                                   |        |      |                 |
| Gasket  | 070                               | 6      | 1    | <b>148G3584</b> |
| Gasket  |                                   | 7a     | 1    |                 |
| O-ring for housing/end cover (Before 2003)      |                                   | 8      | 1    |                 |
| Gasket for housing/end cover (After 2003)       |                                   | 8      | 1    |                 |
| Complete insert including the float ball (R717) |                                   | -      | 1    |                 |
|   |                                   |        |      |                 |
| <b>Welding nipple - G½-ND6</b>                  |                                   |        |      |                 |
| Welding nipple including aluminium gasket       | -                                 | 16     | 2    | <b>148B4184</b> |
| Aluminium gaskets included - ¼" FPT - ½" G      | -                                 | 17     | 1    | <b>148B3860</b> |
| Aluminium gaskets included - ¾" G - ½" G        | -                                 | 18     | 1    | <b>148B3861</b> |

\* The float mechanism is assembled and adjusted from factory



HFI insert after 2006