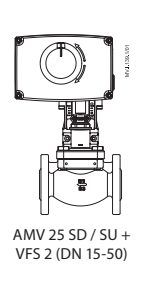
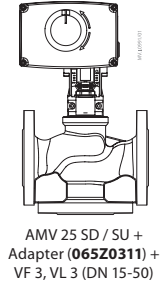
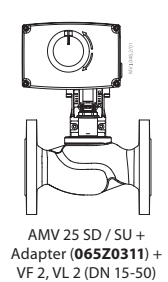
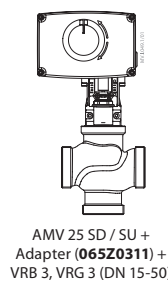
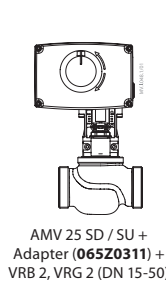
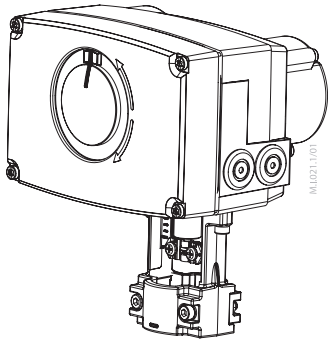
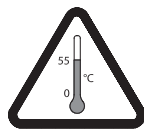


Operating Guide

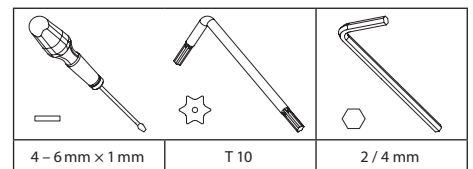
AMV 25 SU, AMV 25 SD



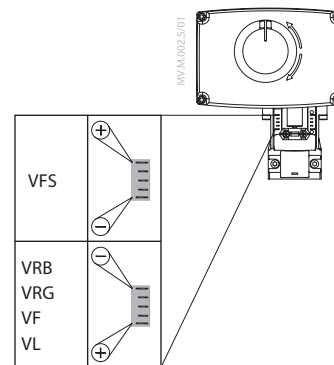
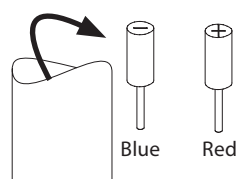
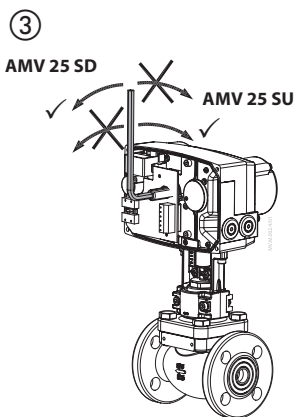
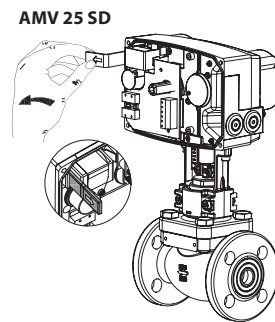
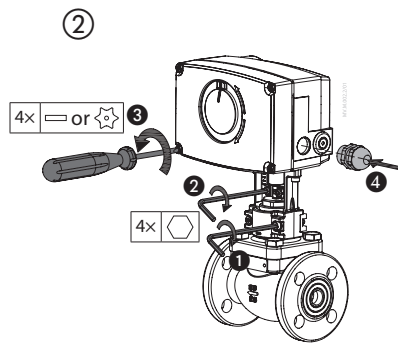
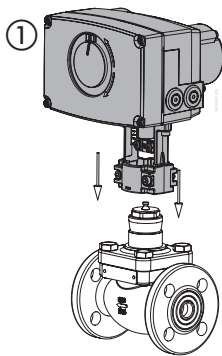
MAINTENANCE
FREE



5-95 % RH
no condensing



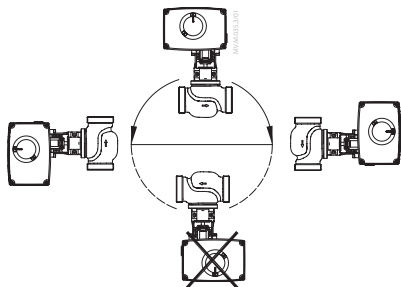
1



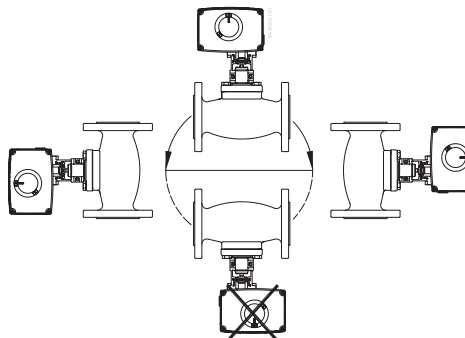
AMV 25 SU, AMV 25 SD

2

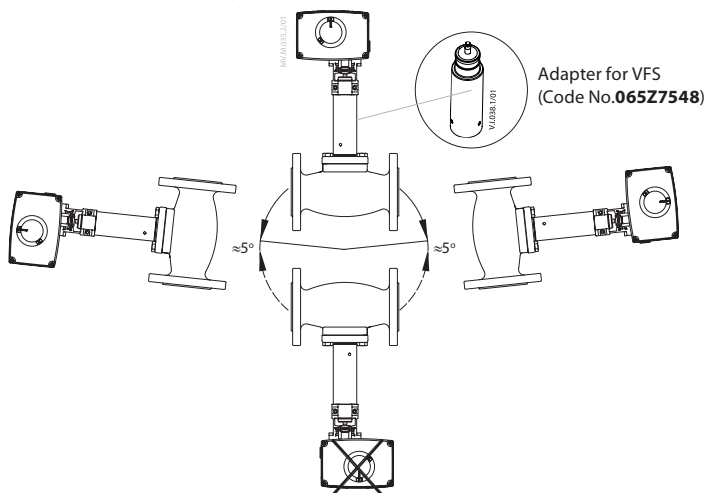
$T_{max} \leq 150^{\circ}\text{C}$ AMV 25 SD/SU & VRB, VRG, VF and VL



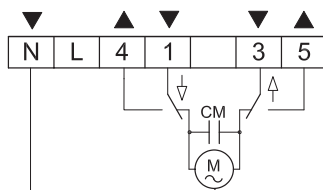
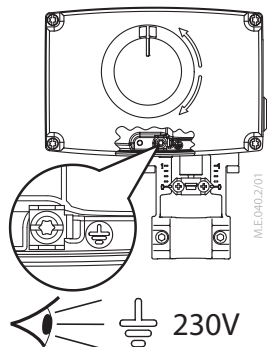
$T_{max} \leq 150^{\circ}\text{C}$ AMV 25 SD/SU & VFS



$T_{max} = 200^{\circ}\text{C}$ AMV 25 SD/SU &



3

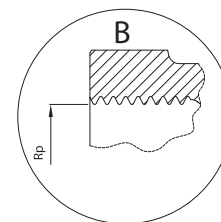
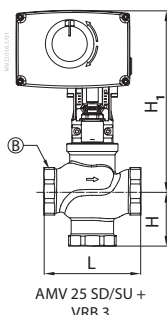
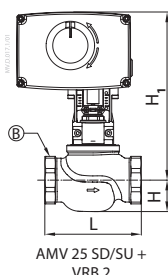
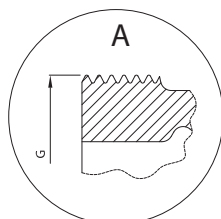
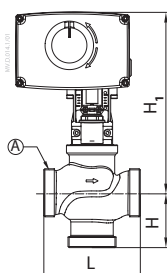
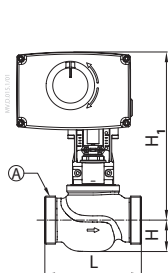
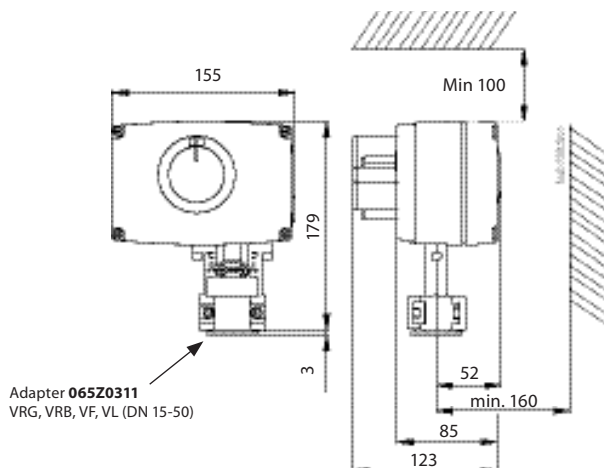
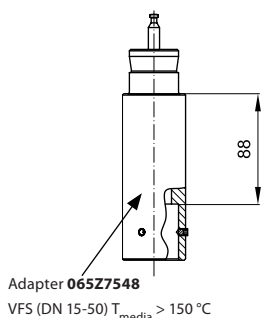


M.E.071.101

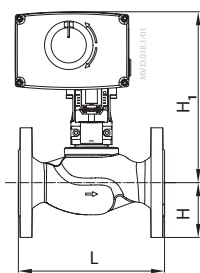
	N	0 V	Neutral
1	Input power supply		082H3036 082H3039 24 V
3			082H3037 082H3040 230 V
4, 5			Output

AMV 25 SU, AMV 25 SD

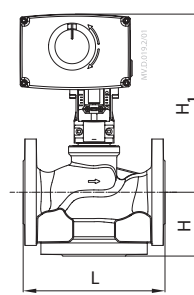
4



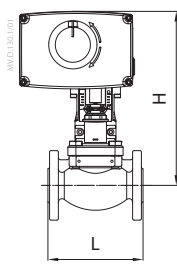
Type	DN	Connection		L	H	H ₁
		R _p	G			
VRB 2 VRG 2	15	½	1	80	25	216
	20	¾	1¼	80	29	218
	25	1	1½	95	29	222
	32	1¼	2	112	35	226
	40	1½	2¼	132	43	237
VRB 3 VRG 3	15	½	1	80	40	216
	20	¾	1¼	80	45	218
	25	1	1½	95	50	222
	32	1¼	2	112	58	226
	40	1½	2¼	132	75	255
50	2	2¾	160	83	268	



Type	DN	L	H	H ₁
		mm		
VF 2	15	130	47,5	216
	20	150	52,5	218
	25	160	57,5	222
	32	180	70	226
	40	200	75	237
VL 2	15	130	40	216
	20	150	45	218
	25	160	50	222
	32	180	60	226
	40	200	65	237
50	230	70	242	



Type	DN	L	H	H ₁
		mm		
VF 3	15	130	63	216
	20	150	70	218
	25	160	75	222
	32	180	80	226
	40	200	90	255
VL 3	15	130	63	216
	20	150	70	218
	25	160	75	222
	32	180	80	226
	40	200	90	255
50	230	100	267	



Type	DN	L	H
		mm	
VFS 2	15	130	237
	20	150	237
	25	160	237
	32	180	259
	40	200	259
50	230	259	



AMV 25 SU, AMV 25 SD

Part Name 部件名称	Hazardous Substances Table/有害物质含量表					
	Lead (Pb) 铅 (Pb)	Mercury (Hg) 汞 (Hg)	Cadmium (Cd) 镉 (Cd)	Hexavalent Chromium (Cr(VI)) 六价铬 (Cr(VI))	Polybrominated biphenyls (PBB) 多溴联苯 (PBB)	Polybrominated diphenyl ethers (PBDE) 多溴二苯醚 (PBDE)
Bush/衬套	X	0	0	0	0	0
Electromagnet/电磁体	X	0	0	0	0	0
Housings/外壳	X	0	0	0	0	0
Brake Weights/制动配重	X	0	0	0	0	0
Clamp/压板	X	0	0	0	0	0
Yoke/连接架	X	0	0	0	0	0
O: Indicates that this hazardous substance contained in all of the homogeneous material for this part is below the limit requirement in GB/T 26572; O: 表示该有害物质在该部件所有均质材料中的含量均在GB/T 26572规定的限量要求以下。						
X: Indicates that this hazardous substance contained in at least one of the homogeneous material for this part is above the limit requirementw in GB/T 26572; X: 表示该有害物质至少在该部件的某一均质材料中的含量超出GB/T 26572规定的限量要求。						

Danfoss can accept no responsibility for possible errors in catalogues, brochures and other printed material. Danfoss reserves the right to alter its products without notice. This also applies to products already on order provided that such alterations can be made without subsequential changes being necessary in specifications already agreed. All trademarks in this material are property of the respective companies. Danfoss and the Danfoss logotype are trademarks of Danfoss A/S. All rights reserved.