

ENGINEERING
TOMORROW

Danfoss

CTR 3-Way Heat Reclaim Valve

Reclaim the heat that is
already paid for in your
refrigeration system



Easy

way to benefit from
the excess heat of
the system

food-retail.danfoss.com

Simple, Serviceable and Safe

The CTR 3-way heat reclaim valve is designed to allow full proportional control of the surplus heat from compressor pack into the heat exchanger of transcritical heat reclaim solutions, securing availability of heat and hot water.

The CTR valve prevents pressure peaks eliminating costly system down-time and the risk of insufficient heat supply for store heating and hot water, regardless the installation size.

The cartridge design of the component means that all functional parts are easy to service and replace using only a spanner. The valve features combi connections allowing for both solder/braze and welding

Technical Data

Ports:	2 inlets and 1 outlet - 1 inlet and 2 outlets added advantage
Positions:	on / off, and Proportional opening (both inlets open)
Refrigerant:	R744
Oil types:	PAG / POE
MWP/Refrigerant:	140 bar / 2030 psi
MOPD:	3 bar / 43 psi
Allowed refrigerant temperature range:	0 – 150 °C / 32 – 302 °F
Serviceable:	Yes
IP rating of electric connection:	67
Closing/opening time:	88 secs.
Step rate (current control):	75 step / sec.
Recommended controller/driver:	AK-XM 208C, EKD 316C, EKD 316

Ordering

Type	Connections (Combi)		Value		Code number
	Weld* [in]	Solder ODF X ODF [in]	K _v	C _v	Single Pack
CTR 20	1	1 1/8	20	23.12	027H7244

*OD according to EN 10220

Related Products

Get the best out of your transcritical CO₂ system with Danfoss ADAP-KOOL® solutions.



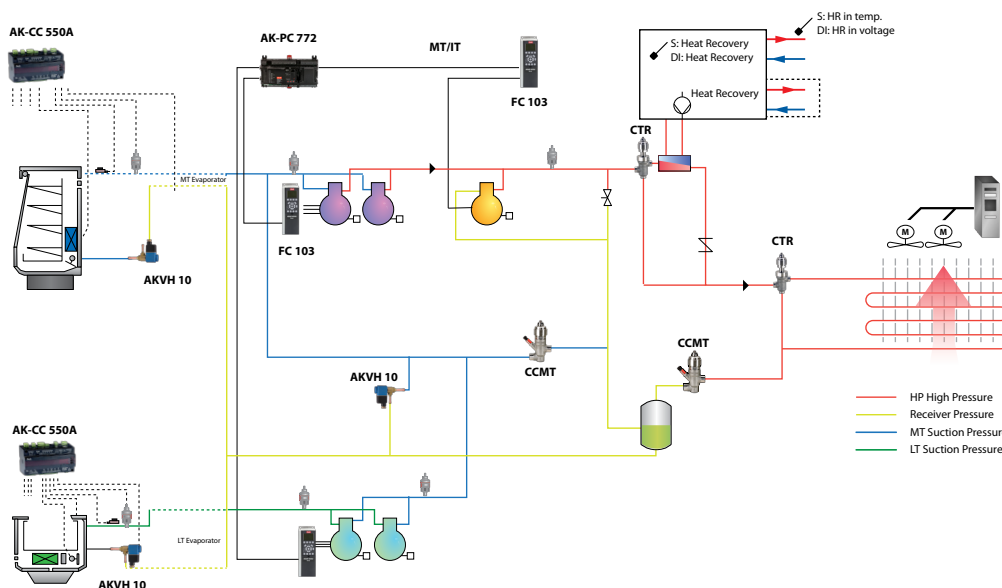
AK-PC 772/781
Capacity Controller



AK-XM 208C
Electronic Driver



EKD 316 / EKD 316C
Superheat Controller



Transcritical booster application featuring parallel compression with full proportional control of heat reclaim and gas cooler by pass option through the CTR 3-way heat reclaim valve



Visit
ctr.danfoss.com