

Data sheet

MBV 2000 Isolation valve

Type MBV 2000



The MBV 2000 isolation valve is designed for mounting between Danfoss pressure transmitters with DIN 3852 - E pressure connection and fluid-filled systems.

The isolation valve automatically closes when a transmitter is removed, so transmitters can be changed easily without having to first drain a system. The valve reopens when a transmitter is connected.

Features

- Compact design
- Fast and easy installation and removal
- Simple and effective isolation

Technical data

Performance

| | | |
|--------------------|--------------------------------------|---------------------------|
| Pressure | Operating pressure Burst pressure | Up to 600 bar 1500 bar |
| Temperature | Operating temperature | -20 – 200 °C |

Materials

| | | |
|----------------------|--|--|
| Wetted parts | All metal parts in contact with the medium | DIN 17440-1.4404 (AISI 316 L) |
| Gasket | Viton | – |
| System medium | The valve is impervious to fuel oil, oil and air | It is not recommended for use with petroleum, combustible gasses or corrosive chemicals. |

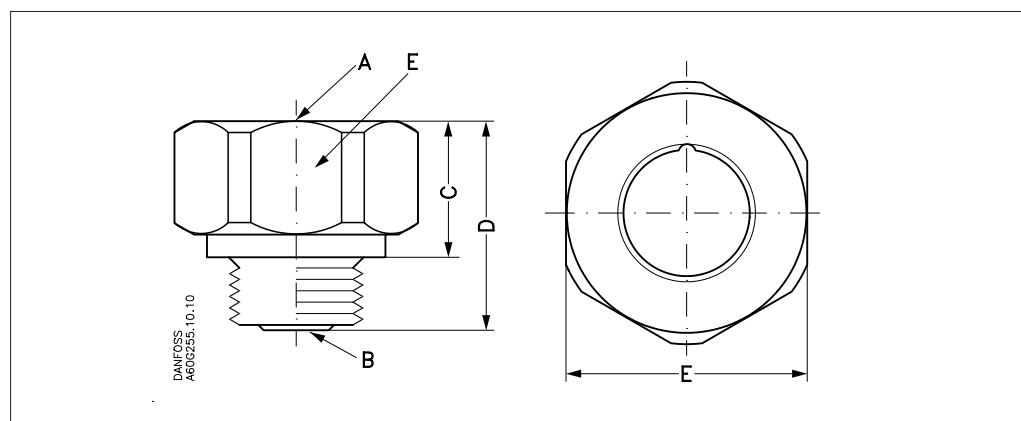
Mounting

| | |
|------------------------------|--|
| Packaging | Isolation valves are supplied with two plastic protective covers which should be removed prior to use. |
| Locking / fixing | For safety, it is essential that the isolation valve is thoroughly secured to the system prior to connecting / disconnecting a transmitter. The valve must not become loose when a transmitter is being removed. |
| Fitting & removal | It is recommended to remove or fit transmitters at a system pressure below 40 bar. |

Application note:

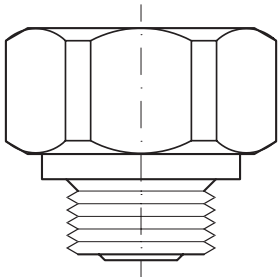
The MBV 2000 must only be used to connect Danfoss transmitters with a pressure connection in compliance to DIN-3852-E.

Specification and code numbers for standard types



| Type | A | B | C [mm] | D [mm] | E | Code no. |
|--------------|--------------|------------------|--------|--------|----|----------|
| MBV 2000-111 | G ¼ DIN 3852 | G ¼ A DIN 3852-E | 17.5 | 29.4 | 24 | 061B6001 |
| MBV 2000-123 | G ¼ DIN 3852 | G ½ A DIN 3852-E | 15.4 | 29.4 | 30 | 061B6002 |
| MBV 2000-223 | G ½ DIN 3852 | G ½ A DIN 3852-E | 20.4 | 34.4 | 30 | 061B6003 |

Ordering of special versions



| | | | |
|---------------------------|---|---|---|
| Type no: MBV 2000- | X | X | X |
| Female thread: | | | |
| G ¼ DIN 3852..... | 1 | | |
| G ½* DIN 3852..... | 2 | | |
| Others..... | X | | |
| Male thread: | | | |
| G ¼ DIN 3852-E..... | | 1 | |
| G ½* DIN 3852-E..... | | 2 | |
| ¼-18 NPT DIN 3866-A..... | | 3 | |
| Others..... | | X | |
| Width across flats | | | |
| E 24..... | | | 1 |
| E 27..... | | | 2 |
| E 30..... | | | 3 |
| Others..... | | | X |
| * E 27 & E 30 only | | | |

Ordering of special versions will impose an additional cost and extended delivery times.
Minimum order quantity: 12 parts.