

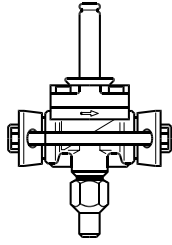
Installation Guide

Solenoid valves

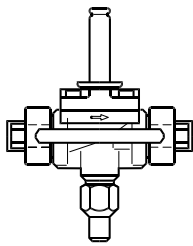
EV RAT 10, 15, 20

032R9669

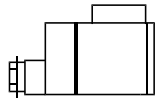
032R9669



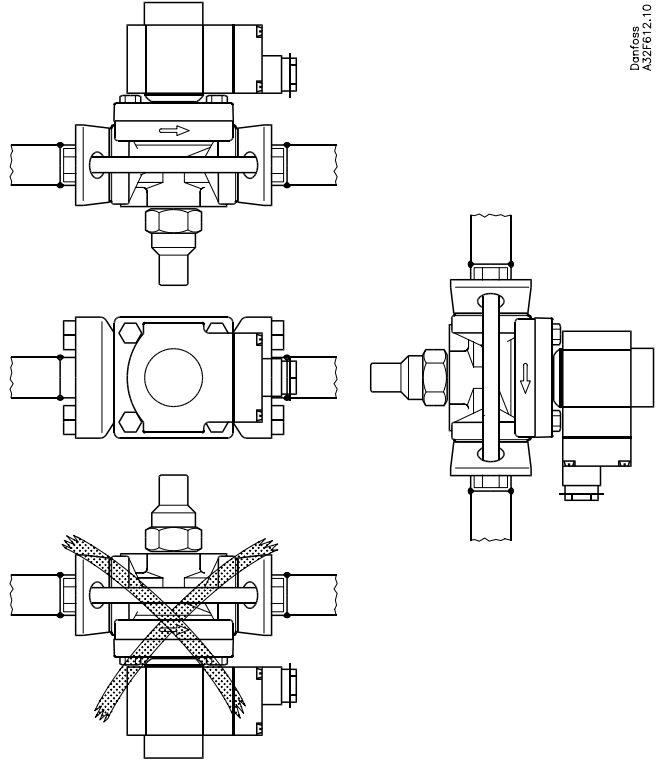
EV RAT 10



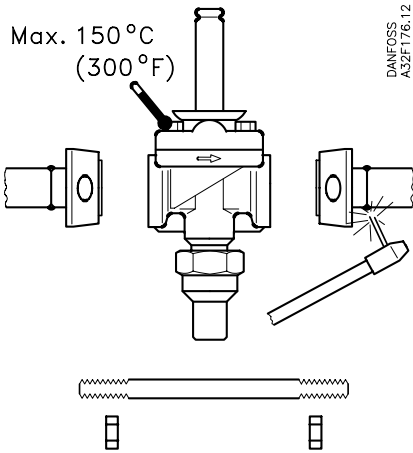
EV RAT 15, 20



12 V a.c.



Danfoss
A32F6.12.10



DANFOSS
A32F176.12

12 W d.c.

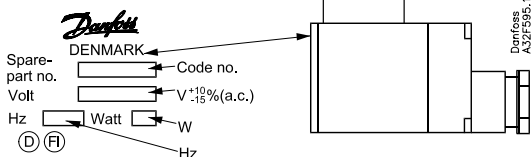
t max. 50 °C (120 °F)

t min. -40 °C (-40 °F)

Min. medium temperature: EV RAT -40 °C (-40 °F)
Max. medium temperature: EV RAT 105 °C (221 °F)
Max. working pressure: PB=28 bar/ MWP 405 psig

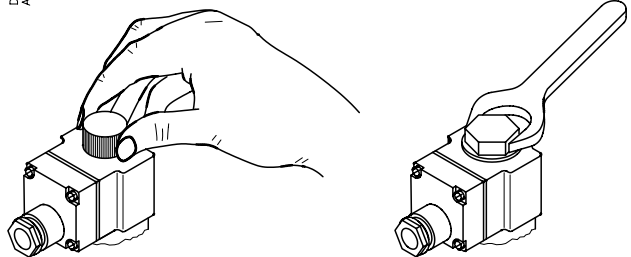
Max. opening diff. pressure (MOPD): → 21 bar (300psig)

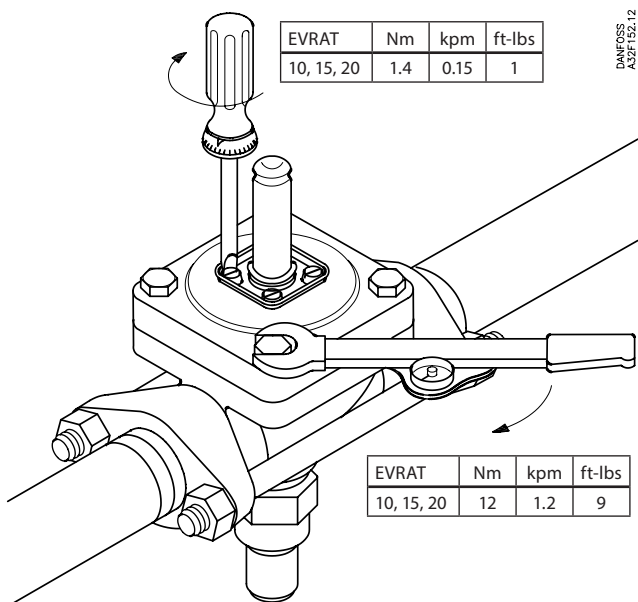
Danfoss
A32F6.13.10



DANFOSS
A32F176.12

Nm	kpm	ft-lbs
1.4	0.15	1





The manual opener of EVRAT 10, 15 and 20 is intended to be activated only during initial pressure testing of the refrigeration system.

After pressure testing or service-related manual forced opening of the manual opener the spindle **must** be turned fully back to back-seated position to avoid any packing gland leakage.

Furthermore it is essential that the sealing cap is properly reinstalled. This will eliminate any risk of leakage from the manual opener.

