



REFRIGERATION AND
AIR CONDITIONING

Instructions

Repeater type AKA 222

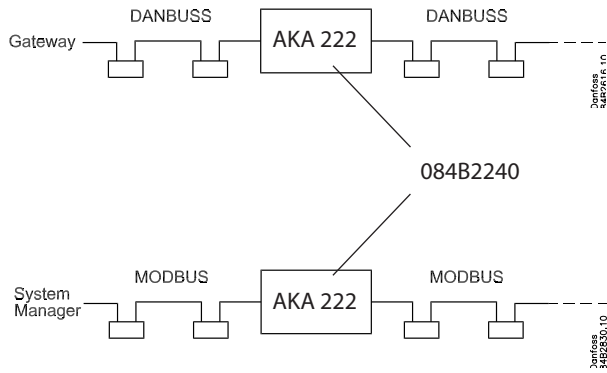


084R9978

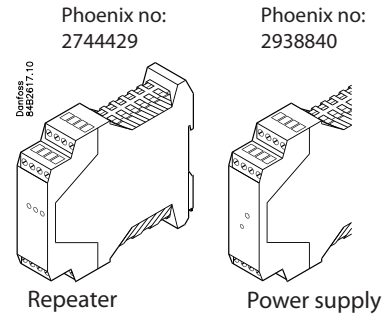


RI8KN502

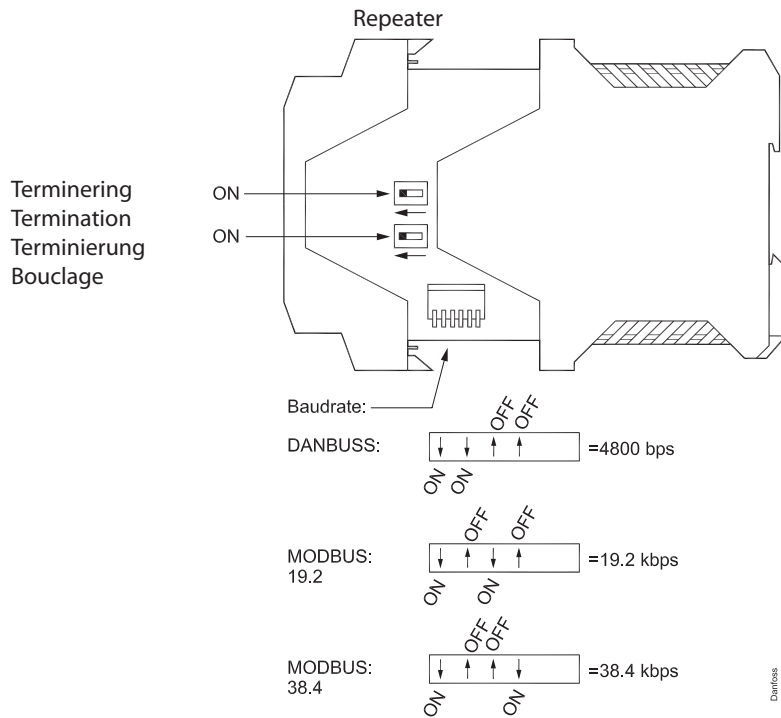
Principle



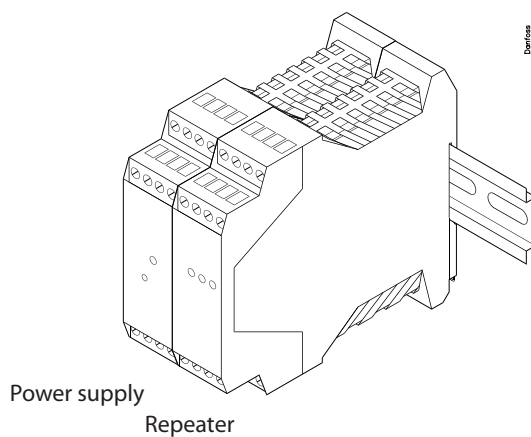
Identification



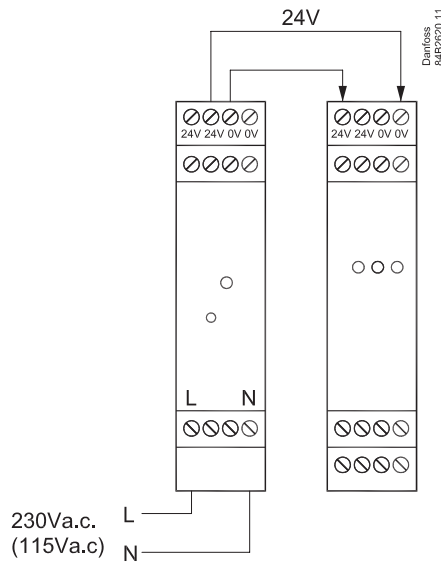
Settings



Mounting

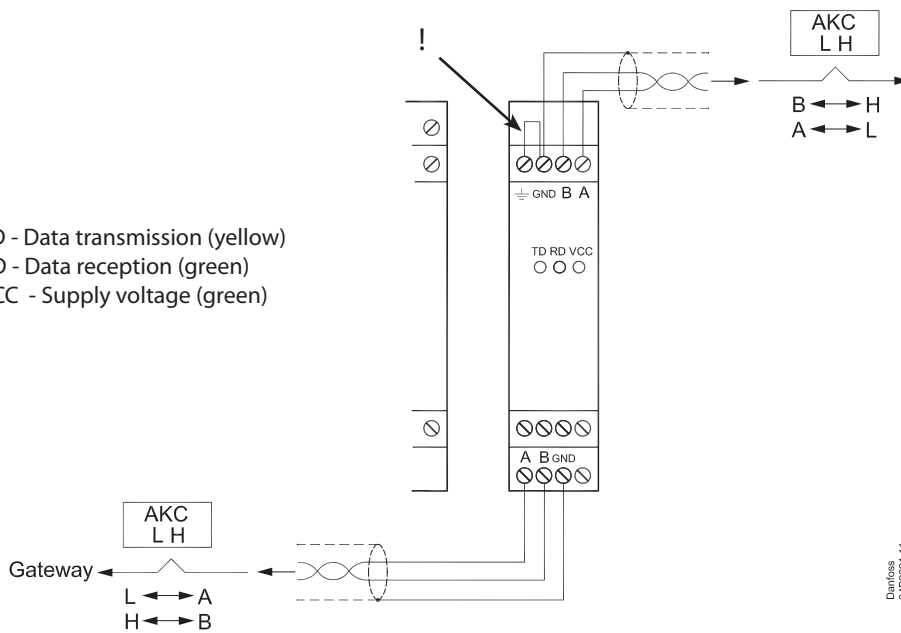


Power Supply



DANBUSS

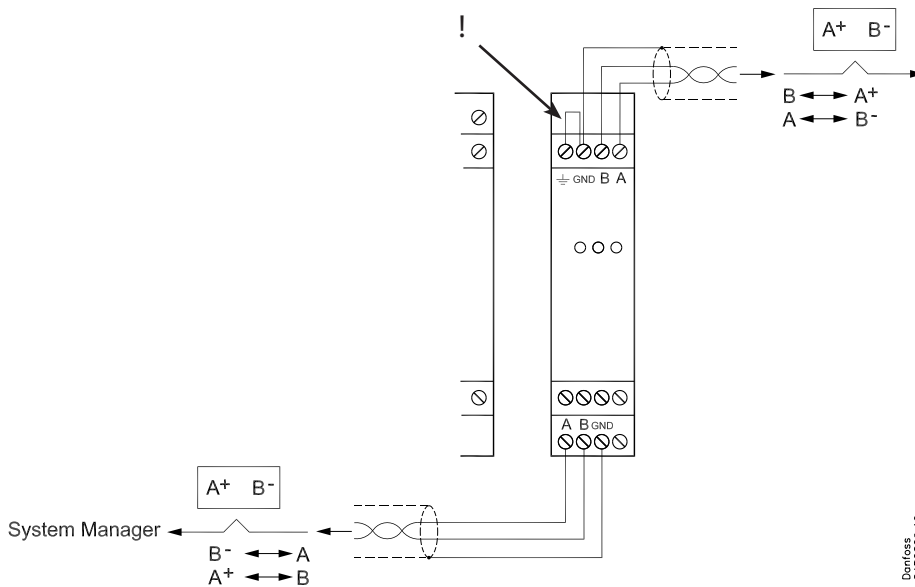
TD - Data transmission (yellow)
 RD - Data reception (green)
 VCC - Supply voltage (green)



Danfoss
84B2621,11

Important
 Installation of data communication cables and repeaters must satisfy the requirements mentioned in the document:
 Data communication between ADAP-KOOL® Refrigeration controls. Literature number = RC8AC.

MODBUS



Danfoss
84B2629, 10

The Product contains electrical components and may not be disposed together with domestic waste. Equipment must be separate collected with Electrical and Electronic waste. According to Local and currently valid legislation.



ADAP-KOOL®