



REFRIGERATION AND
AIR CONDITIONING

Instructions

Repeater type AKA 223

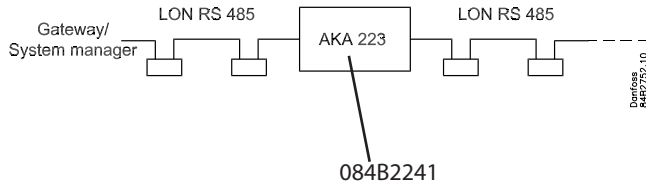


084R9982

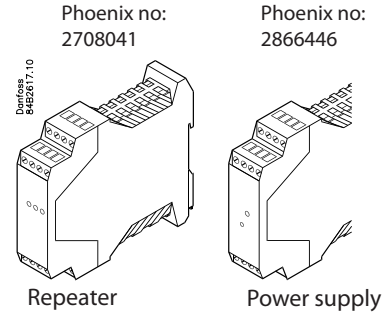


RI8KS302

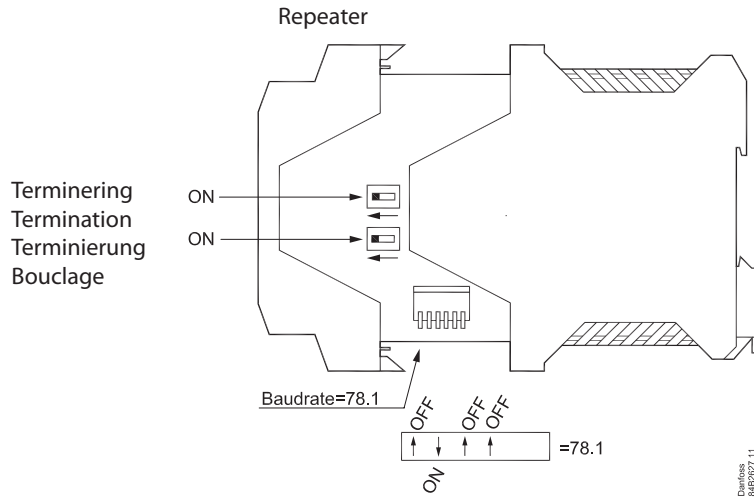
Principle



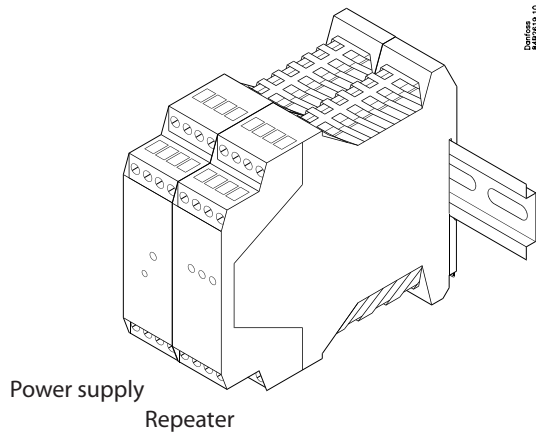
Identification



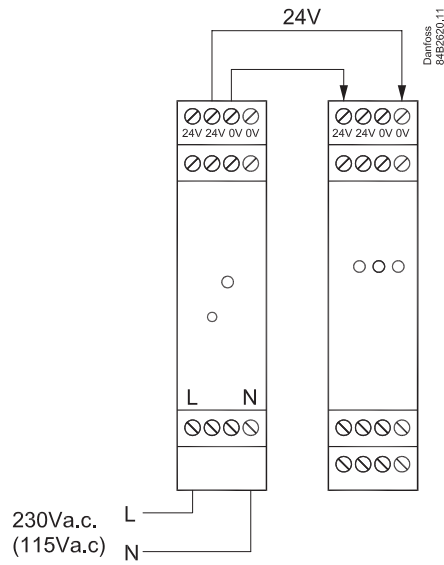
Settings



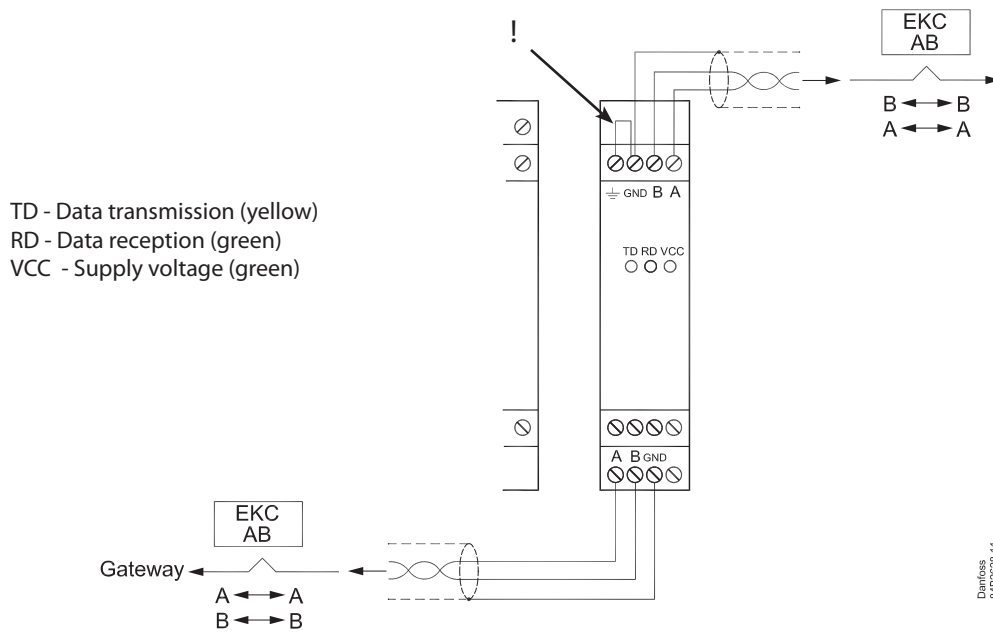
Mounting



Power Supply



LON RS 485



Important
Installation of data communication cables and repeaters must satisfy the requirements mentioned in the document:
Data communication between ADAP-KOOL® Refrigeration controls. Literature number = RC8AC.

The Product contains electrical components. And must not be disposed together with domestic waste. Equipment must be separate collected with Electrical and Electronic waste. According to Local and currently valid legislation.

