

avrorarm.ru
+7 (495) 956-62-18

ENGINEERING
TOMORROW

Danfoss

Service guide

PAH, PAHT, PAHT C, PAHT G pumps

PAH 2-6.3/PAHT 2-6.3/PAHT C 2-6.3

and PAHT G 2-6.3

Disassembling and assembling



Table of Contents

Contents	
Introduction	2
1. Disassembling the pump.....	3
2. Inspection	7
2.1. Port plate and valve plate	7
2.2. Pistons.....	7
2.3. Cylinder barrel	8
2.4. Housing	8
2.5. Swash plate	8
3. Assembling	9
4. Spare parts list for PAH / PAHT / PAHT C 2	16
4.1 Exploded view for PAH / PAHT / PAHT C 2	17
5. Spare parts list for PAHT G 2	18
5.1 Exploded view for PAHT G 2	19
6. Spare parts list for PAH / PAHT / PAHT C 3.2-6.3	20
6.1 Exploded view for PAH / PAHT / PAHT C 3.2-6.3	21
7. Spare parts list for PAHT G 3.2-6.3	22
7.1 Exploded view for PAHT G 3.2-6.3	23

Introduction

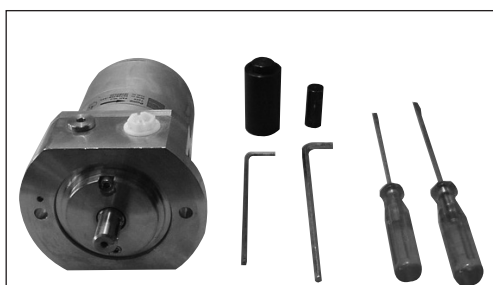
NOTE: If the pump is disassembled within the warranty period, the pump is no longer covered by the warranty.

This document covers the instructions for disassembling and assembling the axial piston pumps PAH / PAHT / PAHT C / PAHT G 2-6.3.

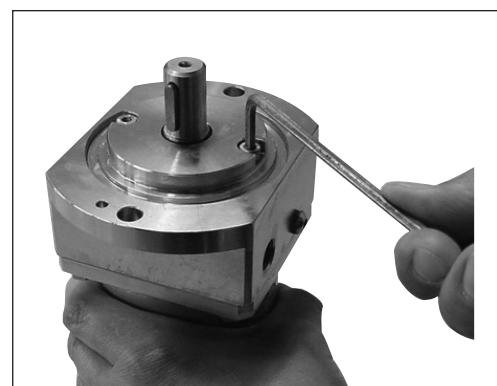
Tools provided with tool set 180Z0235:
 • Shaft bush, torpedo
 • Press bush Ø18 (Plastic)



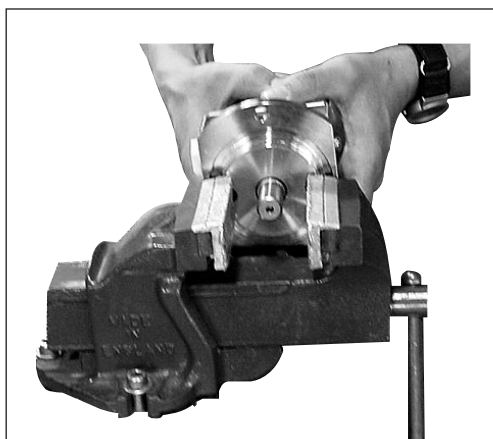
1. Disassembling the pump



1. Tools required for dismantling.
Caution: Avoid scratching the sealing surface on the shaft



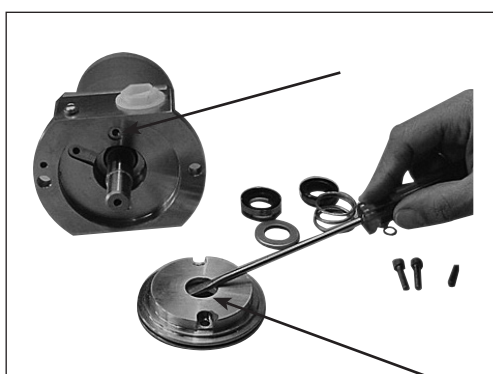
2. Remove the parallel key and unscrew the front cover.



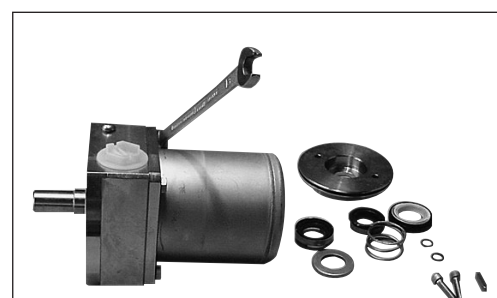
3. Dismantle the front cover using a vice.



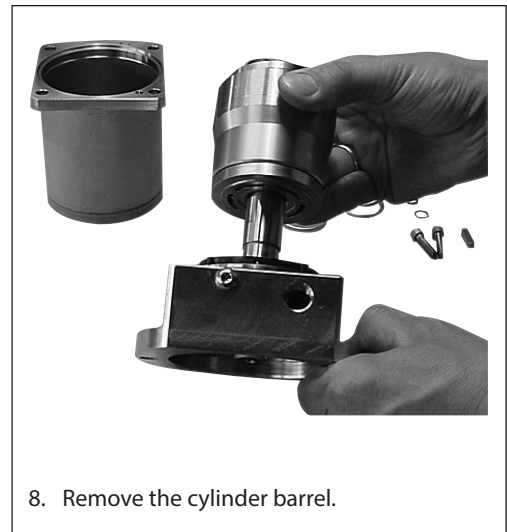
4. Remove the shaft seal using two screwdrivers.
Caution: Avoid scratching the sealing surface on the shaft.



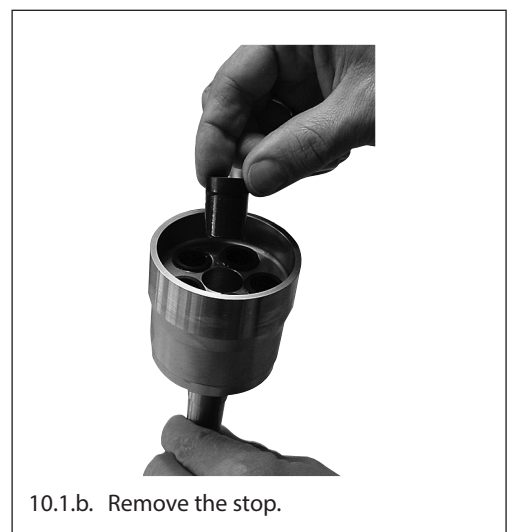
5. Remove the two small O-rings from the flange. Remove the seal from the front cover using a screwdriver.



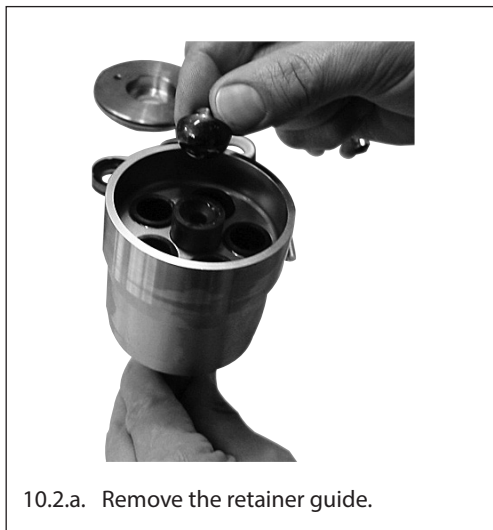
6. Unscrew the four screws for the housing.



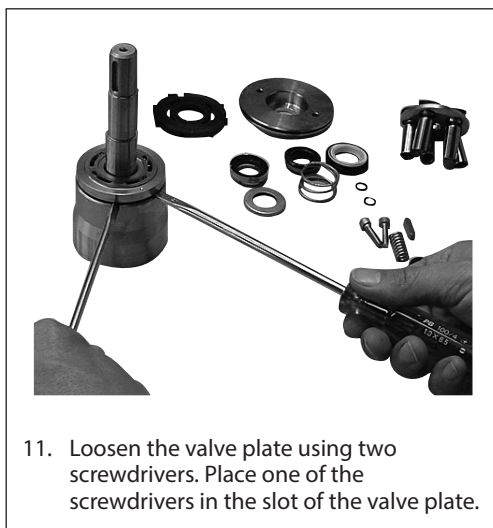
NB: Items 10.1.a. and 10.1.b. concern PAH 2, PAHT 2, PAHT C 2 and PAHT G 2 only



NB: Items 10.2.a. through 10.2.c. concern PAH 4-6.3, PAHT 3.2-6.3, PAHT C 3.2-6.3 and PAHT G 3.2-6.3 only

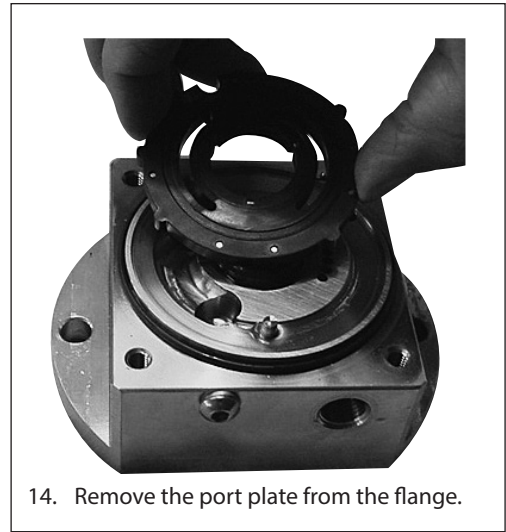


NB: The following items concern PAH 2-6.3, PAHT 2-6.3, Paht C 2-6.3 and PAHT G 2-6.3 only





13. Remove the five O-rings and the five back-up O-rings.



14. Remove the port plate from the flange.

15. Wash all parts and replace all seals (inclusive shaft seal).

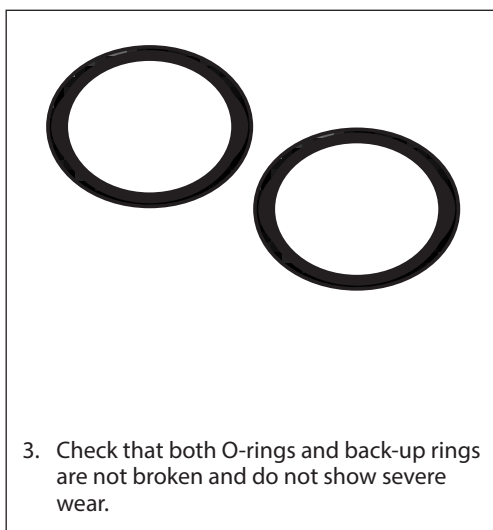
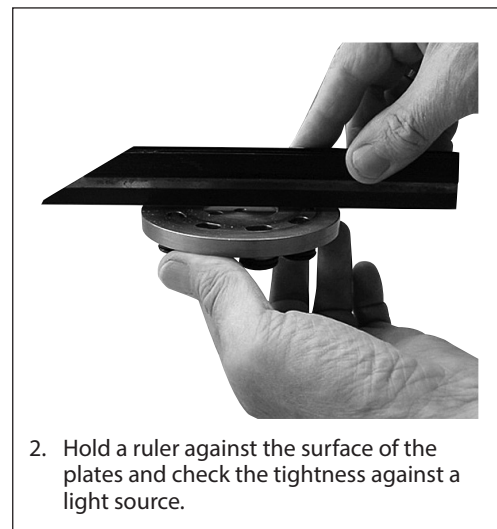
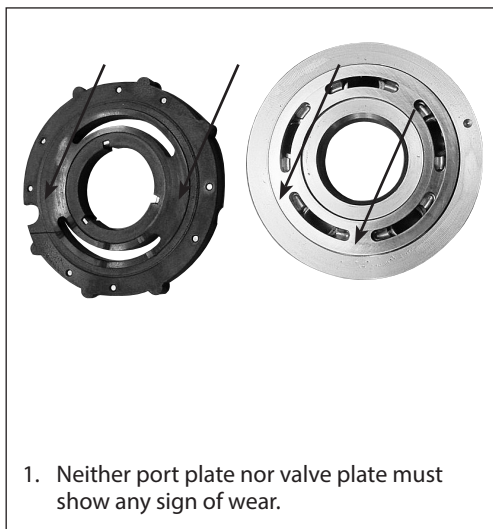
16. Inspect all parts carefully (see "Inspection") and replace any worn parts.

17. If the pump has failed, the reason for the failure must be found and fixed before the repaired pump is re-installed.

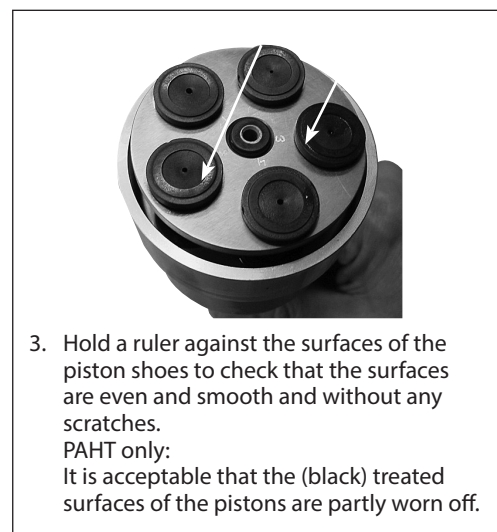
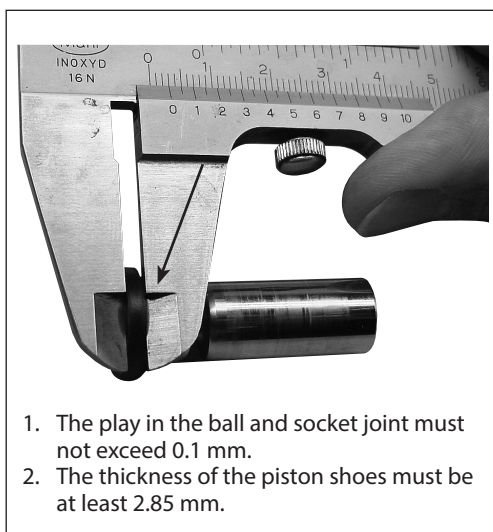


2. Inspection

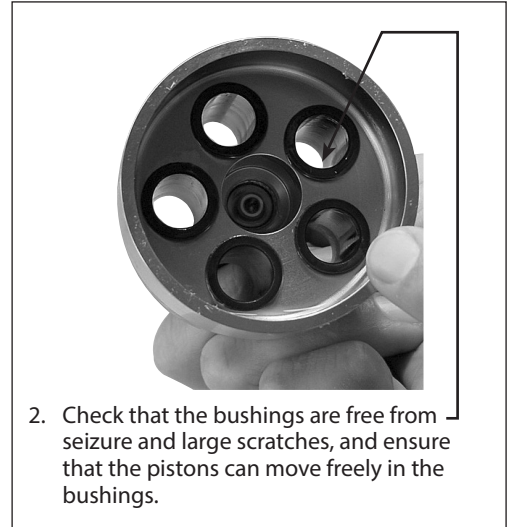
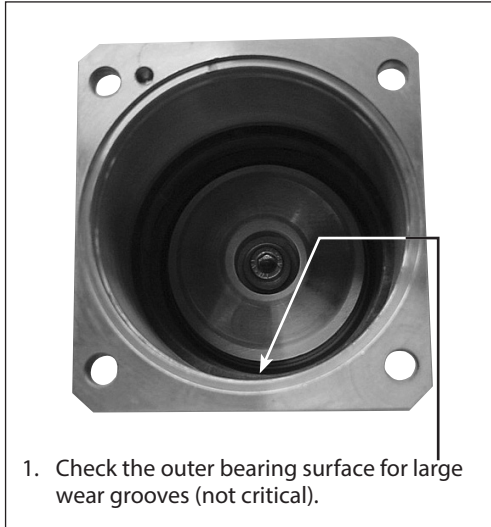
2.1. Port plate and valve plate



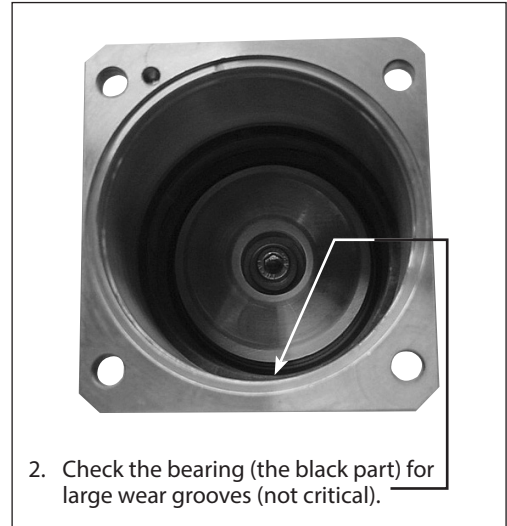
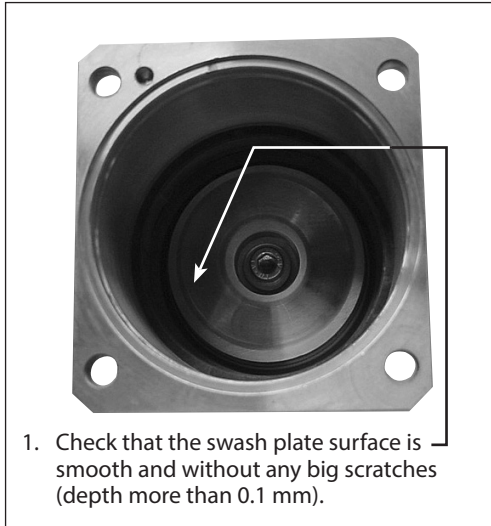
2.2. Pistons



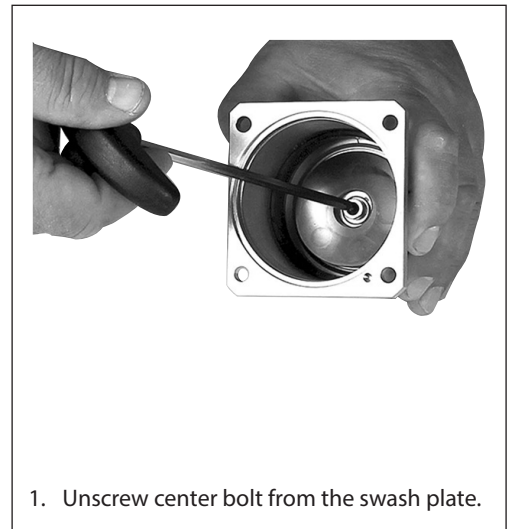
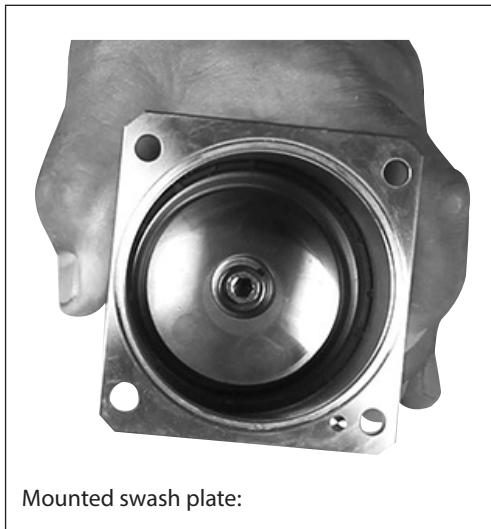
2.3. Cylinder barrel

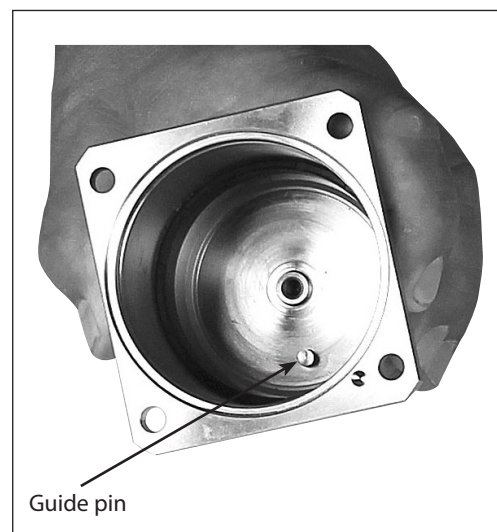


2.4. Housing



2.5. Swash plate

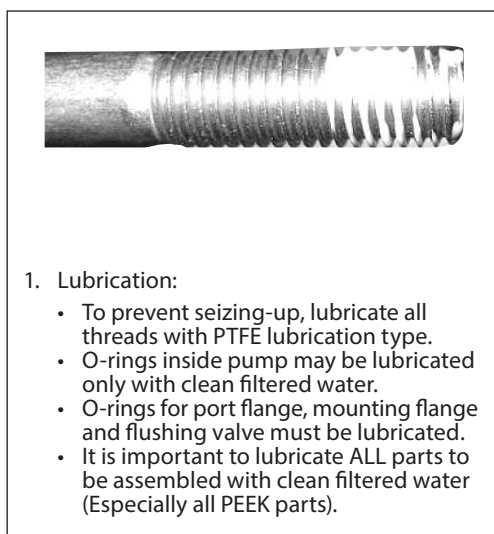


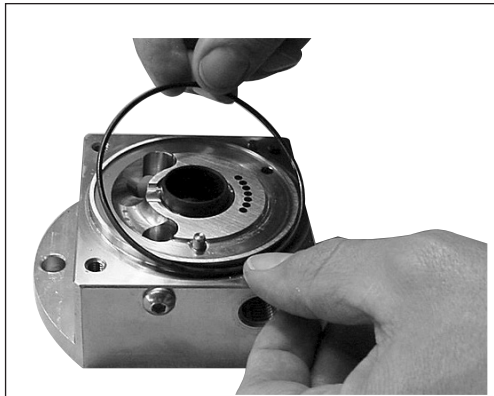


3. Assembling

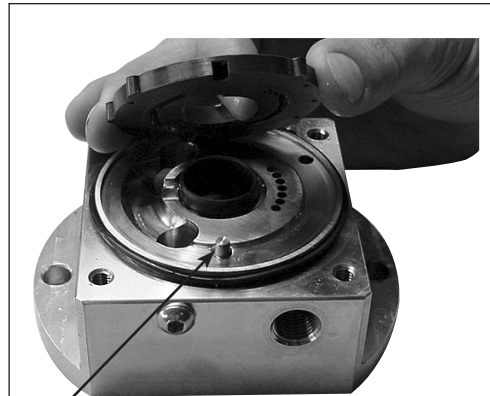
WARNING:
Do not use silicone when assembling the pump. Do not reuse disassembled O-rings; they might be damaged. Always use new O-rings.

Important:
It is essential that the pump is serviced in conditions of absolute cleanliness. All parts must be absolute clean before mounting.



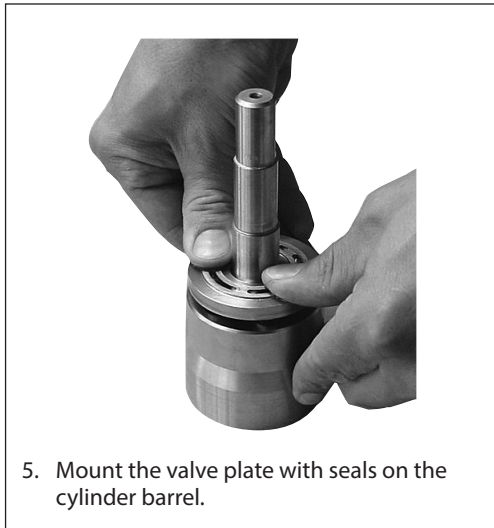


3. Mount the O-ring on the flange.

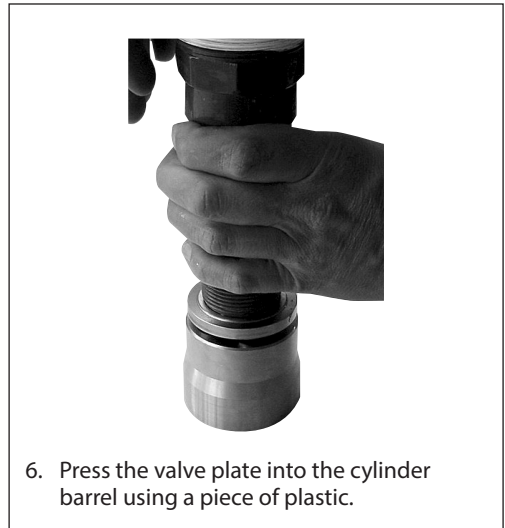


Guide pin

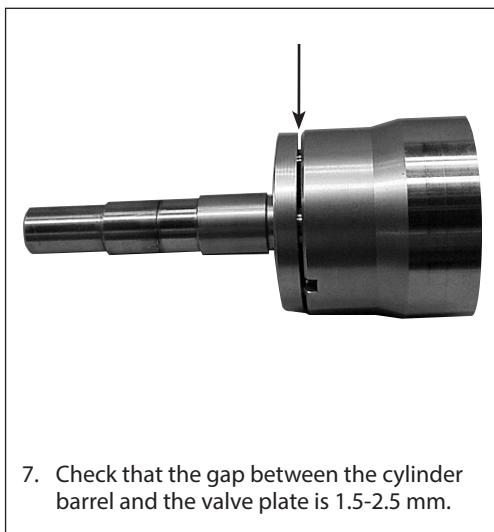
4. Mount the port plate in its right position using the pin as guide.



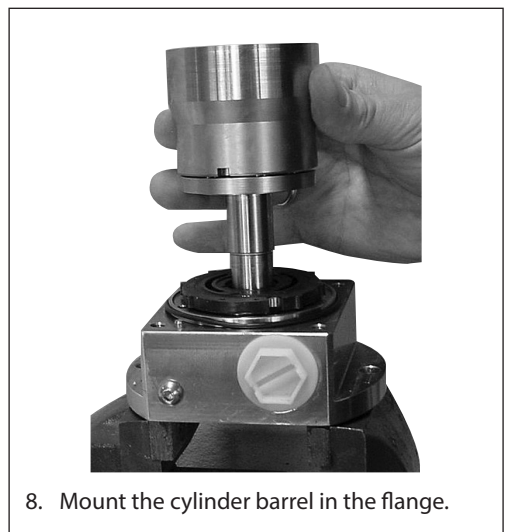
5. Mount the valve plate with seals on the cylinder barrel.



6. Press the valve plate into the cylinder barrel using a piece of plastic.

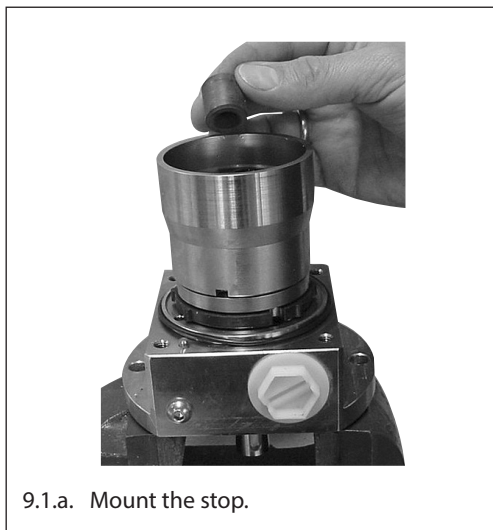


7. Check that the gap between the cylinder barrel and the valve plate is 1.5-2.5 mm.



8. Mount the cylinder barrel in the flange.

9.1 NB: Items 9.1.a through 9.1.c concern PAH 2, PAHT 2, PAHT C 2 and PAHT G 2 only

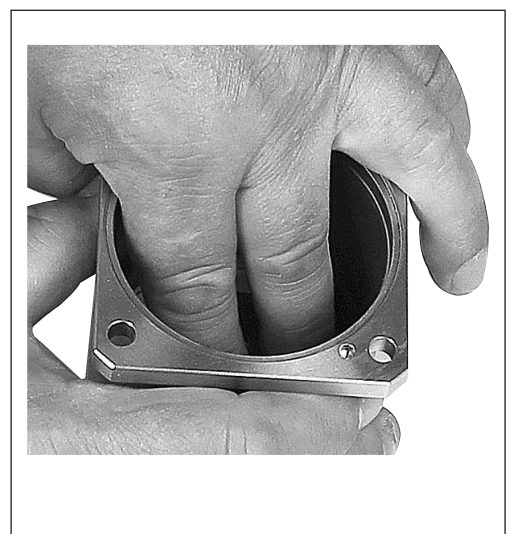
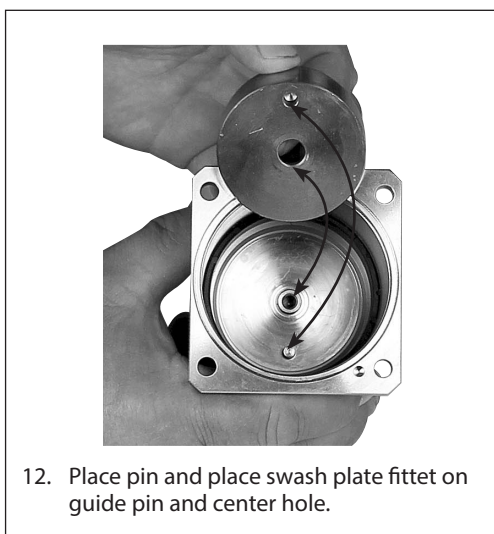
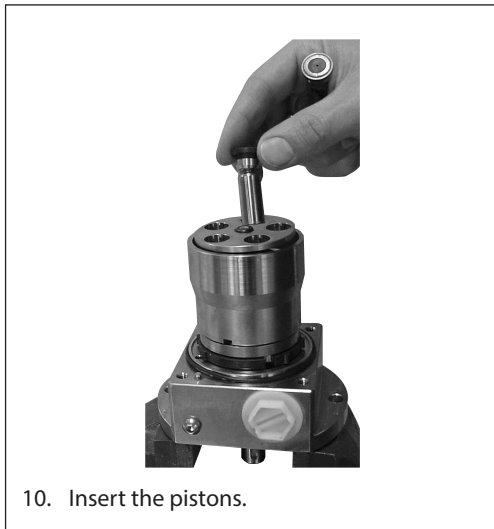


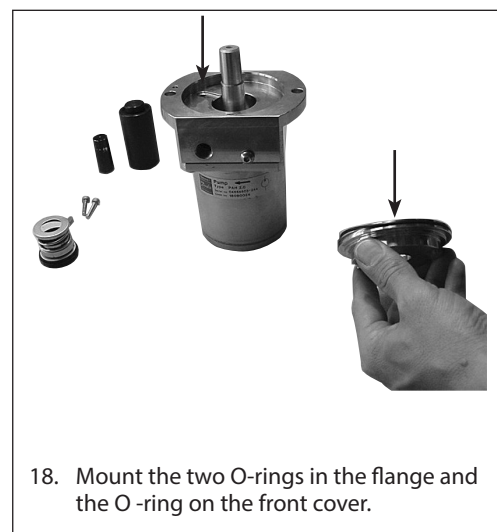
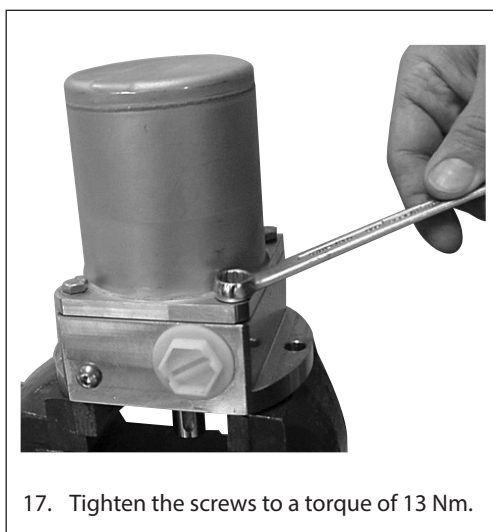
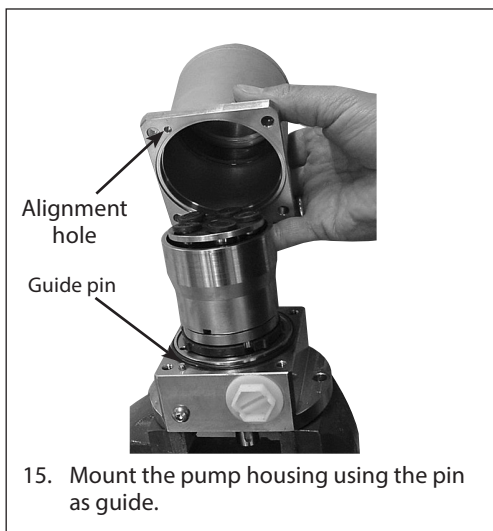
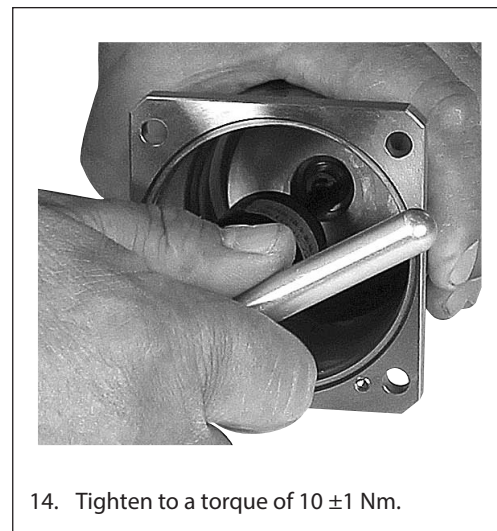
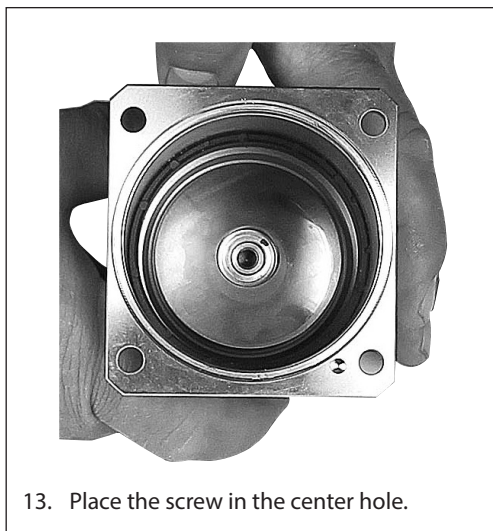
9.2 NB: Items 9.2.a through 9.2.d concern PAH 4-6.3, PAHT 3.2-6.3, PAHT C 3.2-6.3 and PAHT G 3.2-6.3 only





9.3 NB: The following items concern PAH 2-6.3, PAHT 2-6.3 and PAHT G 2-6.3 only







19. Wet the shaft seal with water and mount it in the front cover. Ensure that it is pressed to the bottom.



20. Mount the washer with the edge pointing upwards.



21. Mount the spring.



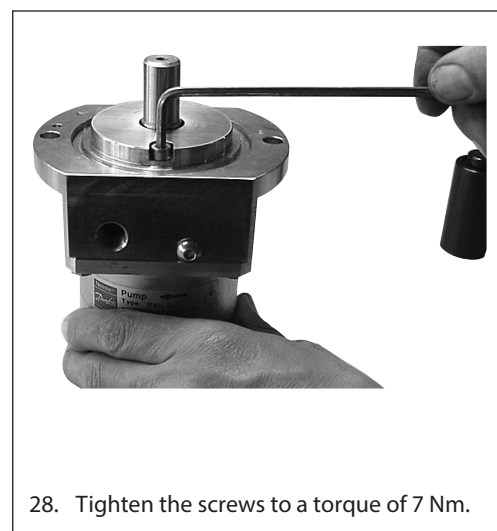
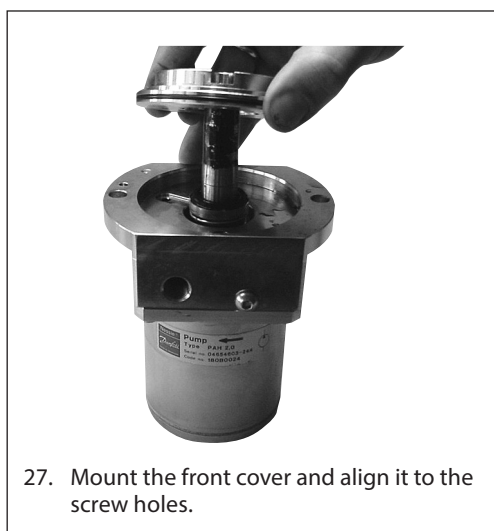
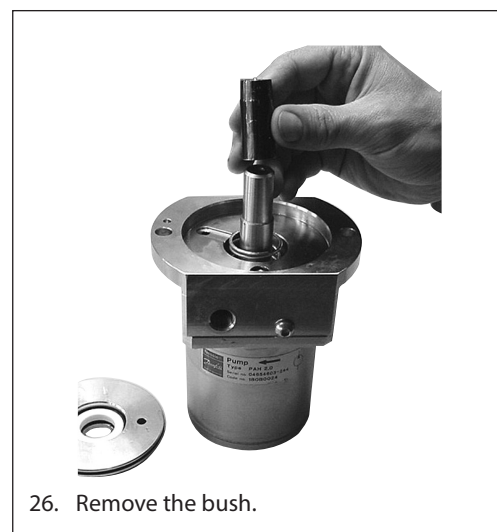
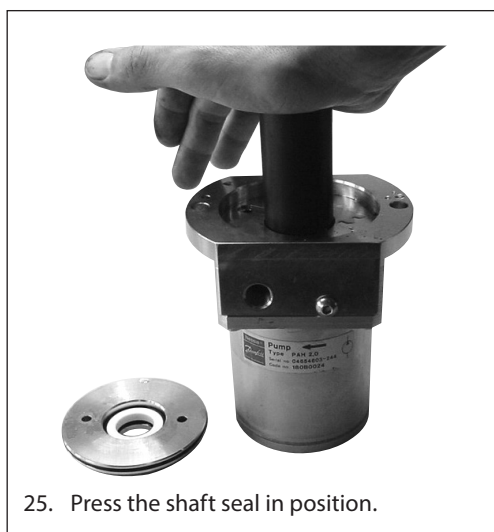
22. Fit the hollow bush onto the shaft.



23. Wet the shaft seal and slide it over the bush.



24. Use the shaft seal tool when pressing the shaft seal downwards.

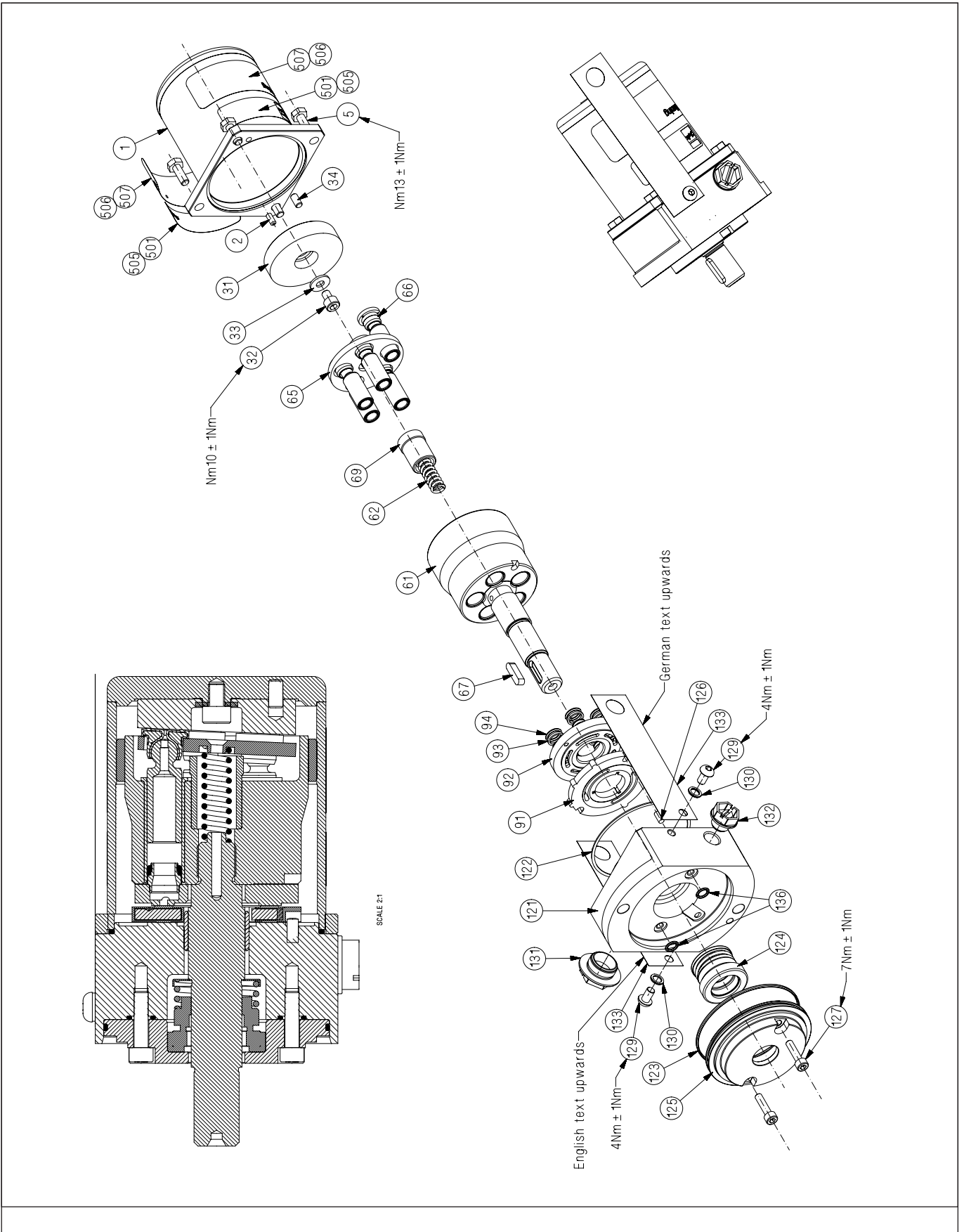


**4. Spare parts list for
PAH / PAHT / PAHT C 2**

Pos.	Qty.	Designation	Material	180B4100 - Seal set (PAH / PAHT 2-6.3)	180B4572 - Screw & Seal set FFKM (PAHT c 2-6.3)	180B4112 - Cylinder barrel set (PAH2-6.3)	180B4104 - Cylinder barrel set (PAHT / PAHT C 2-6.3)	180B4101 - Valve plate set (PAH / PAHT 2-6.3)	180B4571 - Valve plate set FFKM (PAHT C 2-6.3)	180B4110 - Piston set (PAH 2)	180B4102 - Piston set (PAHT PAHT C 2)	180B4301 - Swash plate set (PAH / PAHT / PAHT C 2))	180Z0235 - Tool set
-	1	Shaft bush, torpedo							x		x		x
-	1	Press bush											x
1	1	Housing	AISI 304 / PEEK										
2	1	Pin	AISI 316	x	x								
5	4	Screw	AISI 316	x	x								
31	1	Swash plate	AISI 431									x	
32	1	Screw	AISI 304									x	
33	1	Washer	AISI 304									x	
34	1	Pin	AISI 316									x	
61	1	Cylinder barrel	AISI 431 / PEEK			x	x						
62	1	Spring	AISI 304							x	x		
63	1	Spring guide	PEEK										
64	1	Retainer ball	PEEK										
65	1	Retainer plate	1.4301							x	x		
66	5	Piston	AISI 431/ PEEK							x	x		
67	1	Key	AISI 316Ti	x	x								
69	1	Stop	PEEK							x	x		
91	1	Port plate	AISI 304 / PEEK					x	x				
92	1	Valve plate	AISI 431					x	x				
93	5	Back up ring	PTFE	x	x			x	x				
94	5	O-ring	NBR	x	x*			x	x				
121	1	Port flange	AISI 304 / PEEK										
122	1	O-ring	NBR	x									
123	1	O-ring	NBR	x	x*								
124	1	Shaft seal	AISI 304 / NBR	x	x*								
125	1	End cover	AISI 304		x*								
126	1	Pin	AISI 316						x				
127	2	Screw M5 x 20	AISI 304	x	x								
130	1	Usit-ring		x	x								
136	2	O-ring Ø7 x Ø1,5	NBR	x	x*								
	1	Service instruction		x	x	x	x	x	x	x	x	x	

* FFKM Sealing material

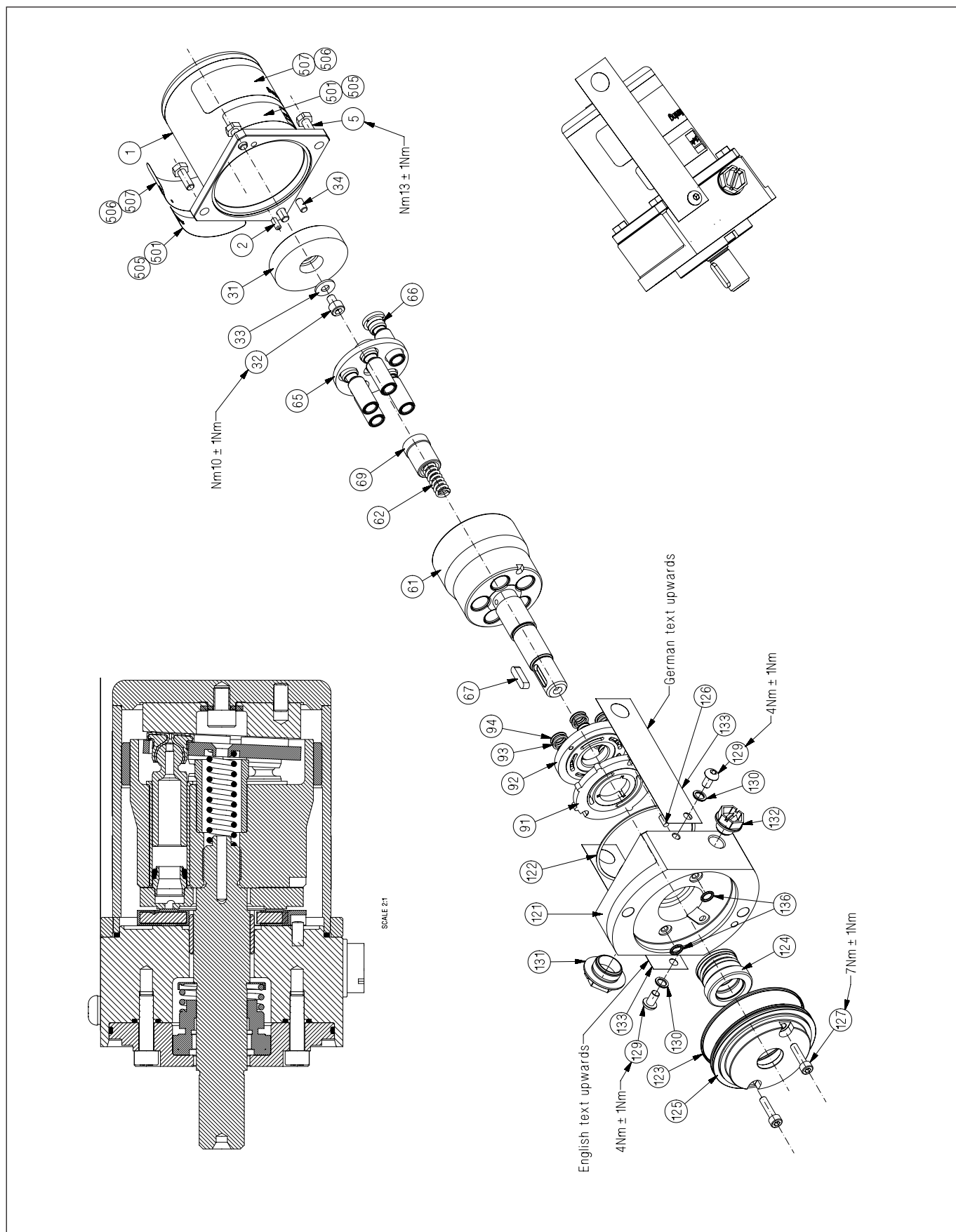
4.1 Exploded view for PAH / PAHT / PAHT C 2



5. Spare parts list for PAHT G 2

Pos.	Qty.	Designation	Material	180B4307 - Seal set (PAHT G 2-6.3)	180B4311 - Cylinder barrel set (PAHT G 2-6.3)	180B4308 - Valve plate set (PAHT G 2-6.3)	180B4309 - Piston set (PAHT G 2)	180B4317 - Swash plate set (PAHT G 2)	180Z0235 - Tool set
-	1	Shaft bush, torpedo	-						x
-	1	Press bush	-						x
1	1	Housing	AISI 304 / PEEK						
2	1	Pin	AISI 316	x					
5	4	Screw	AISI 316	x					
31	1	Swash plate	AISI 431					x	
32	1	Screw	AISI 304					x	
33	1	Washer	AISI 304					x	
34	1	Pin	AISI 316					x	
61	1	Cylinder barrel	AISI 431 / PEEK		x				
62	1	Spring	AISI 304				x		
63	1	Spring guide	PEEK						
64	1	Retainer ball	PEEK						
65	1	Retainer plate	1.4301				x		
66	5	Piston	AISI 431/ PEEK				x		
67	1	Key	AISI 316Ti	x					
69	1	Stop	PEEK				x		
91	1	Port plate	AISI 304 / PEEK			x			
92	1	Valve plate	AISI 431			x			
93	5	Back up ring	PTFE			x			
94	5	O-ring	NBR			x			
121	1	Port flange	AISI 304 / PEEK						
122	1	O-ring	NBR	x					
123	1	O-ring	NBR	x					
124	1	Shaft seal	AISI 304 / NBR	x					
125	1	End cover	AISI 304						
126	1	Pin	AISI 316						
127	2	Screw	AISI 304	x					
136	2	O-ring	NBR	x					
	1	Service instruction		x	x	x	x	x	

5.1 Exploded view for PAHT G 2

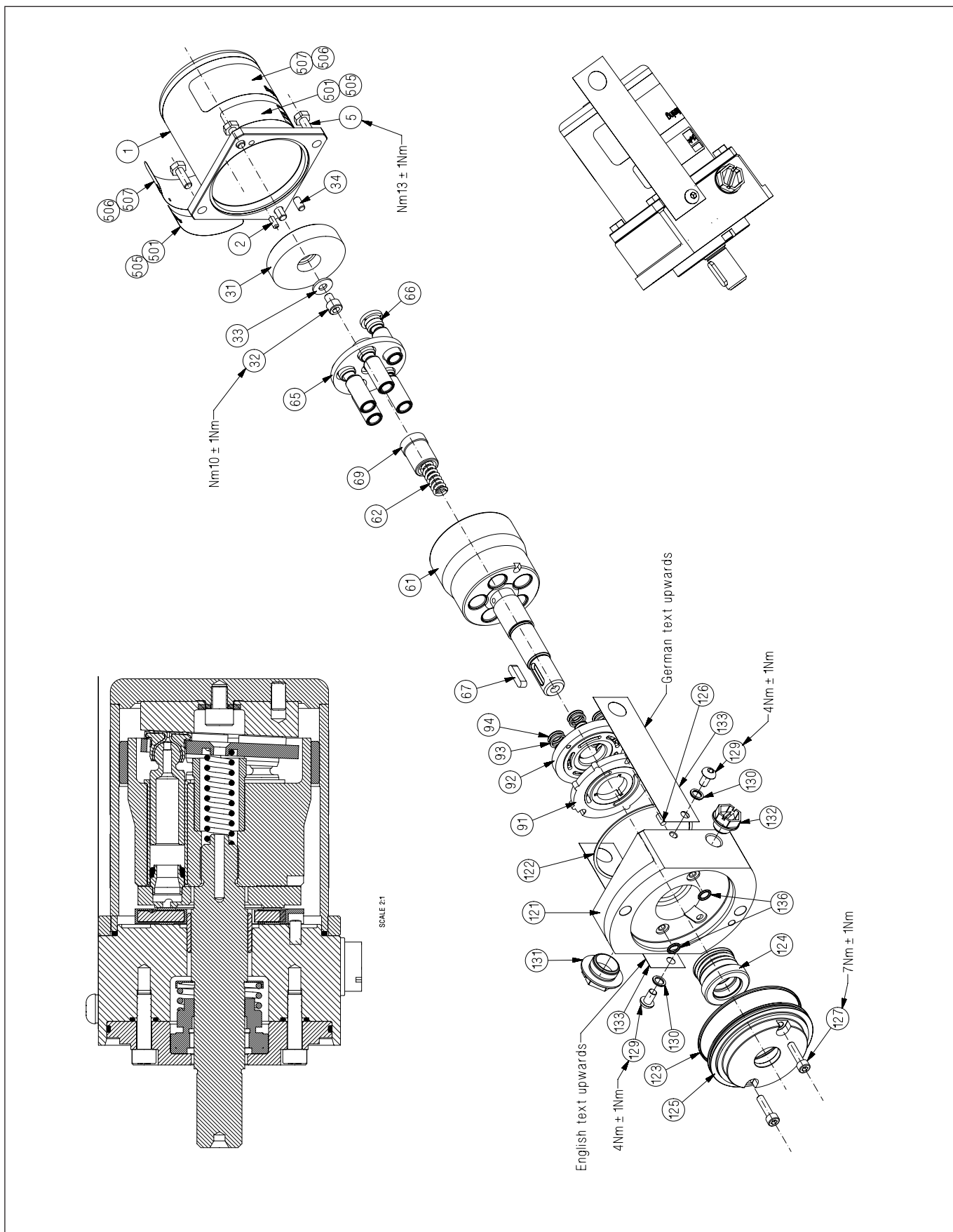


Service guide | Disassembling and assembling PAH 2-6.3, PAHT 2-6.3, PAHT C 2-6.3 and PAHT G 2-6.3
**6. Spare parts list for
PAH / PAHT / PAHT C 3.2-6.3**

Pos.	Qty.	Designation	Material	180B4100 - Seal set (PAH / PAHT 2-6.3)	180B4572 - Screw & Seal set (PAHT C 2-6.3)	180B4112 - Cylinder barrel set (PAH 2-6.3)	180B4104 - Cylinder barrel set (PAHT / PAHT C 2-6.3)	180B4101 - Valve plate set (PAH 2-6.3 / PAHT 2-6.3)	180B4571 - Valve plate set (PAHT C 2-6.3)	180B4111 - Piston set (PAH 4-6.3)	180B4103 - Piston set (PAHT / PAHT C 3.2-6.3)	180B4302 - Swash plate set (PAHT / PAHT C 3.2)	180B4303 - Swash plate set (PAH / PAHT / PAHT C 4)	180B4304 - Swash plate set (PAH / PAHT PAHT C 6.3)	180Z0235 - Tool set	
-	1	Shaft bush, torpedo	-													x
-	1	Press bush	-													x
1	1	Housing	AISI 304 / PEEK													
2	1	Pin	AISI 316	x	x											
5	4	Screw	AISI 316	x	x											
31	1	Swash plate	AISI 431									x	x	x		
32	1	Screw	AISI 304									x	x	x		
33	1	Washer	AISI 304									x	x	x		
34	1	Pin	AISI 316									x	x	x		
61	1	Cylinder barrel	AISI 431 / PEEK				x									
62	1	Spring	AISI 304							x	x					
63	1	Spring guide	PEEK							x	x					
64	1	Retainer ball	AISI 431							x	x					
65	1	Retainer plate	AISI 431							x	x					
66	5	Piston	AISI 431/ PEEK							x	x					
67	1	Key	AISI 316Ti	x	x											
69	1	Stop	PEEK													
91	1	Port plate	AISI 304 / PEEK					x	x							
92	1	Valve plate	AISI 431					x	x							
93	5	Back up ring	PTFE	x	x			x	x							
94	5	O-ring	NBR	x	x*			x	x							
121	1	Port flange	AISI 304 / PEEK													
122	1	O-ring	NBR	x	x*											
123	1	O-ring	NBR	x	x*											
124	1	Shaft seal	AISI 304 / NBR	x	x*											
125	1	End cover	AISI 304													
126	1	Pin	AISI 316					x	x							
127	2	Screw	AISI 304	x	x											
130	1	Usit-ring	AISI 304 / NBR	x	x											
136	2	O-ring	NBR	x	x*											
	1	Service instruction	-	x	x	x	x	x	x	x	x	x	x	x		

* FFKM seling material

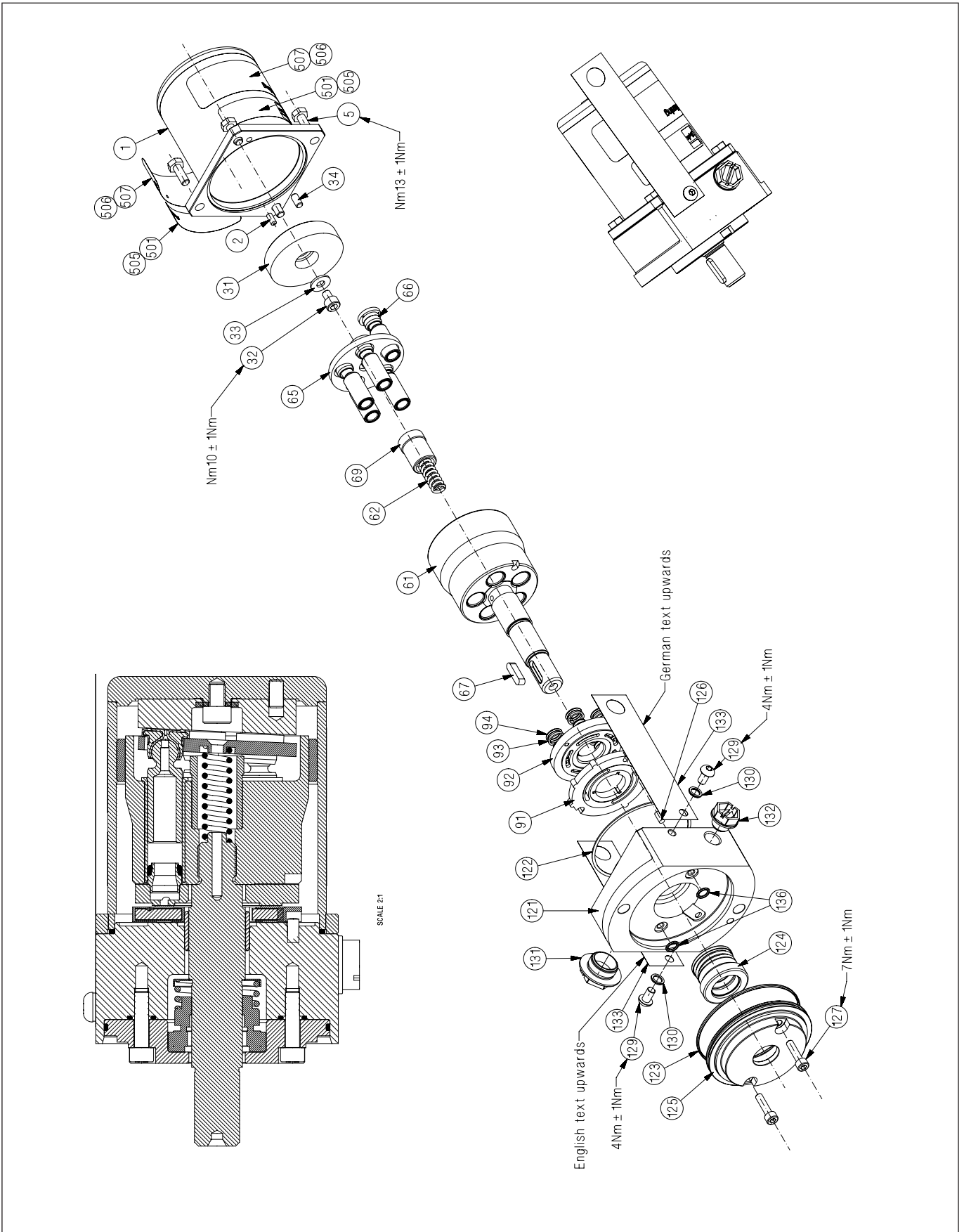
6.1 Exploded view for
PAH / PAHT / PAHT C 3.2-6.3



7. Spare parts list for PAHT G 3.2-6.3

Pos.	Qty.	Designation	Material	180B4307 - Seal set (PAHT G 2-6.3)	180B4311 - Cylinder barrel set (PAHT G 2-6.3)	180B4308 - Valve plate set (PAHT G 2-6.3)	180B4310 - Piston set (PAHT G 3.2-6.3)	180B4318 - Swash plate set (PAHT G 3.2)	180B4319 - Swash plate set (PAHT G 4)	180B4320 - Swash plate set (PAHT G 6.3)	180Z0235 - Tool set
-	1	Shaft bush, torpedo									x
-	1	Press bush									x
1	1	Housing	AISI 304 / PEEK								
2	1	Pin	AISI 316	x							
5	4	Screw	AISI 316	x							
31	1	Swash plate	AISI 431					x	x	x	
32	1	Screw	AISI 304					x	x	x	
33	1	Washer	AISI 304					x	x	x	
34	1	Pin	AISI 316					x	x	x	
61	1	Cylinder barrel	AISI 431 / PEEK		x						
62	1	Spring	AISI 304				x				
63	1	Spring guide	PEEK				x				
64	1	Retainer ball	PEEK				x				
65	1	Retainer plate	1.4301				x				
66	5	Piston	AISI 431/ PEEK				x				
67	1	Key	AISI 316Ti	x							
69	1	Stop	PEEK								
91	1	Port plate	AISI 304 / PEEK			x					
92	1	Valve plate	AISI 431			x					
93	5	Back up ring	PTFE			x					
94	5	O-ring	NBR			x					
121	1	Port flange	AISI 304 / PEEK								
122	1	O-ring	NBR	x							
123	1	O-ring	NBR	x							
124	1	Shaft seal	AISI 304 / NBR	x							
125	1	End cover	AISI 304								
126	1	Pin	AISI 316								
127	2	Screw	AISI 304	x							
130	1	Usit-ring	AISI 304 / NBR	x							
136	2	O-ring	NBR	x							
	1	Service instruction		x	x	x	x	x	x	x	

7.1 Exploded view for PAHT G 3.2-6.3



avrora-arm.ru
+7 (495) 956-62-18

ENGINEERING
TOMORROW

