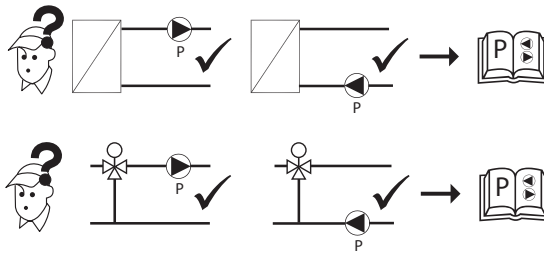
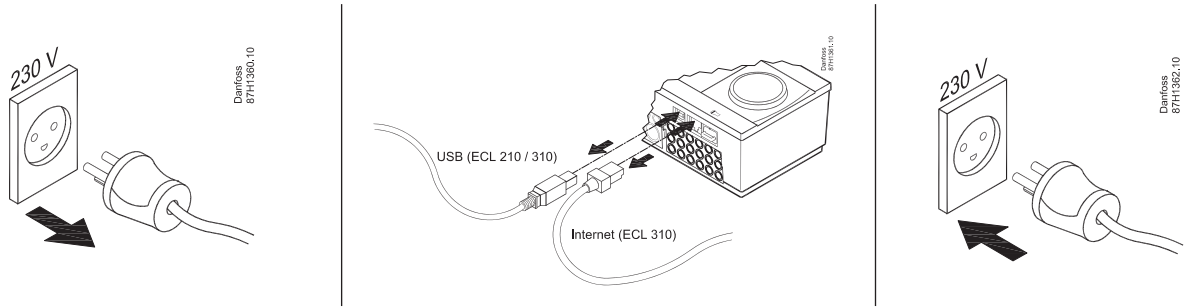
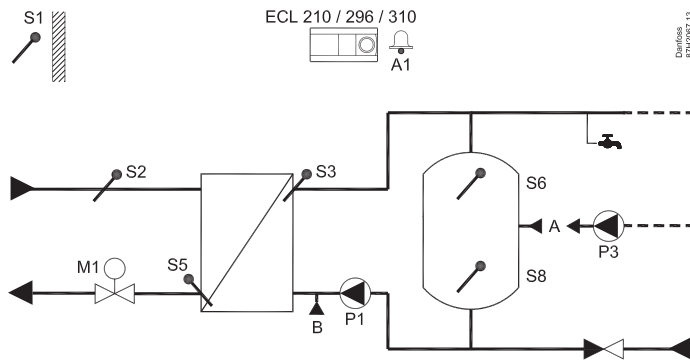


Installation Guide

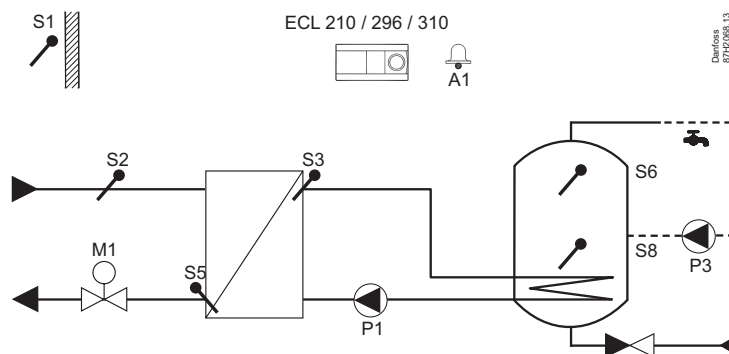
# ECL Comfort 210 / 296 / 310, A217 / A317 (code no. 087H3807)



A217.1 / A317.1 (ex. a):

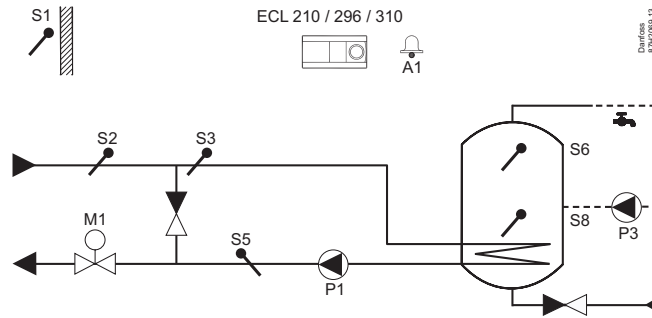


A217.1 / A317.1 (ex. b):

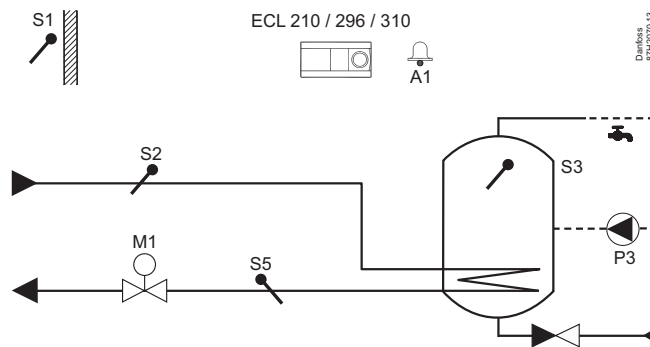


Installation Guide, ECL 210 / 296 / 310, A217 / A317

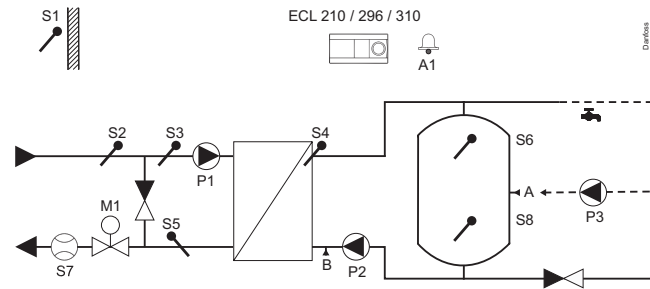
A217.1 / A317.1 (ex. c):



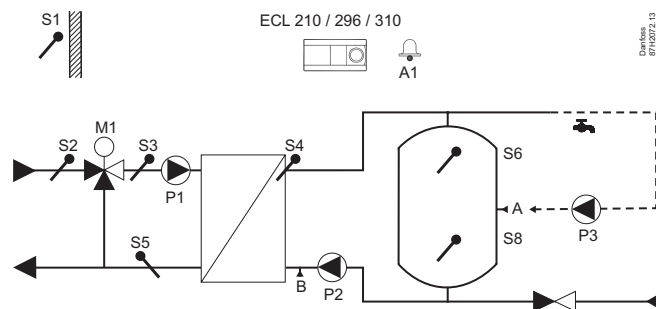
A317.1 (ex. d):



A217.2 / A317.2 (ex. a):

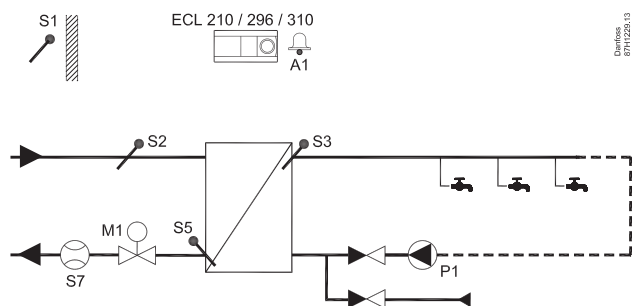


A217.2 / A317.2 (ex. b):



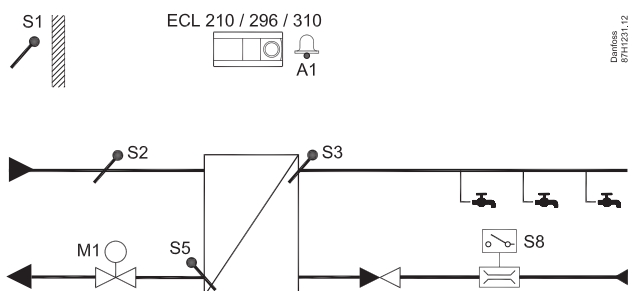
# Installation Guide, ECL Comfort 210 / 296 / 310, A217 / A317

A217.3 (ex. a):



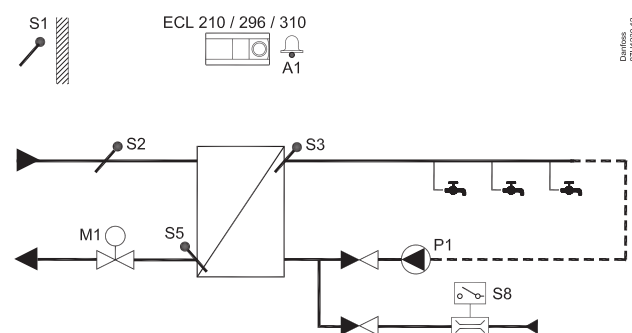
Danfoss  
87H122E.13

A217.3 (ex. b):



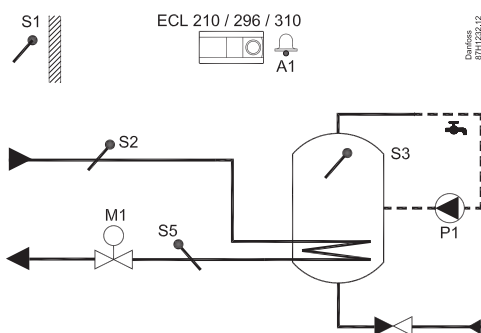
Danfoss  
87H1231.12

A217.3 (ex. c):



Danfoss  
87H1230.12

A217.3 (ex. d):

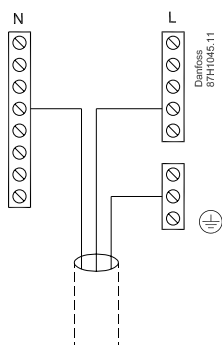


Danfoss  
87H1222.12

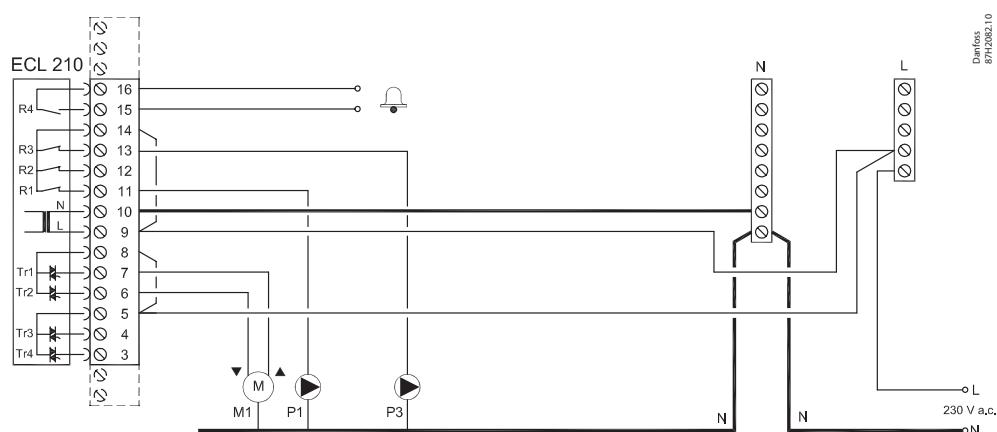
# Installation Guide, ECL Comfort 210 / 296 / 310, A217 / A317

## ECL Comfort 210 / 296 / 310: 230 V a.c.

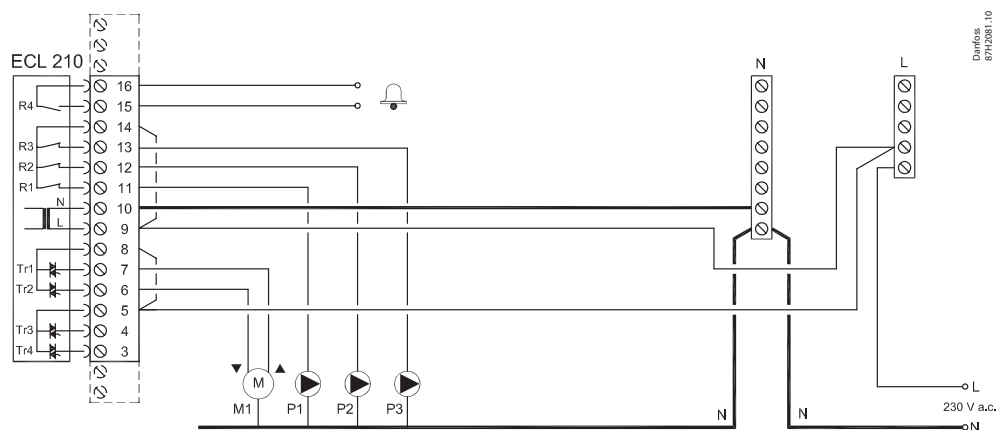
R		4 (2) A / 230 V a.c.
R		
Tr		0,2 A / 230 V a.c.



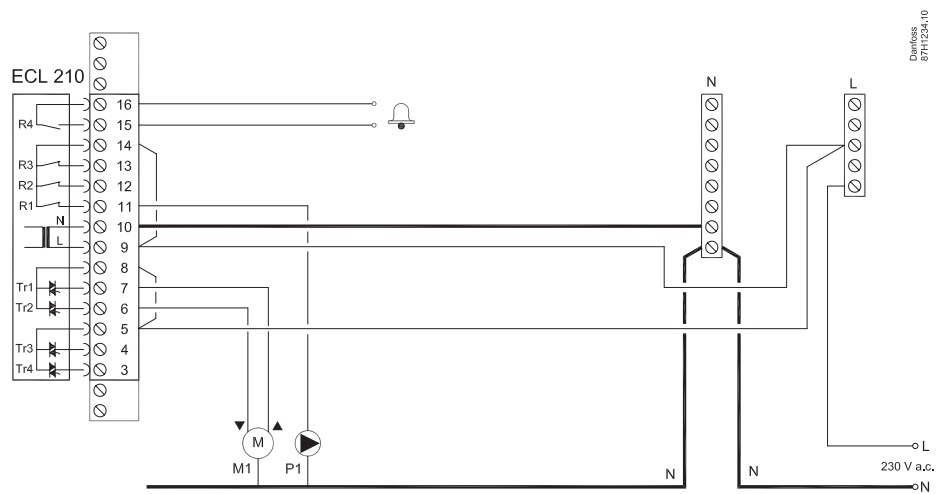
## 230 V a.c., A217.1



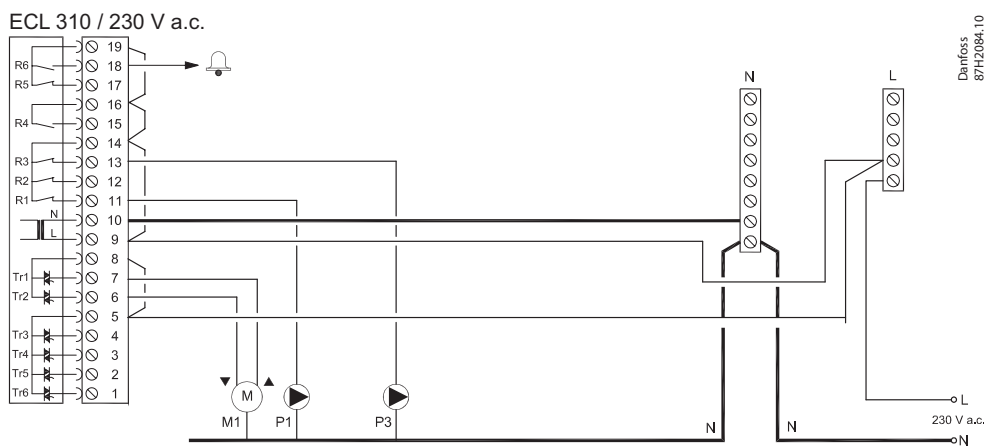
## 230 V a.c., A217.2



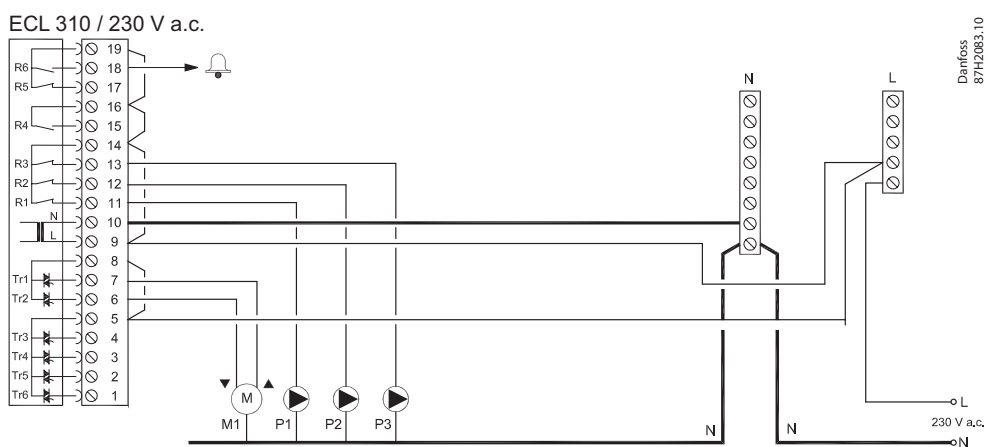
230 V a.c., A217.3



230 V a.c., A317.1



230 V a.c., A317.2



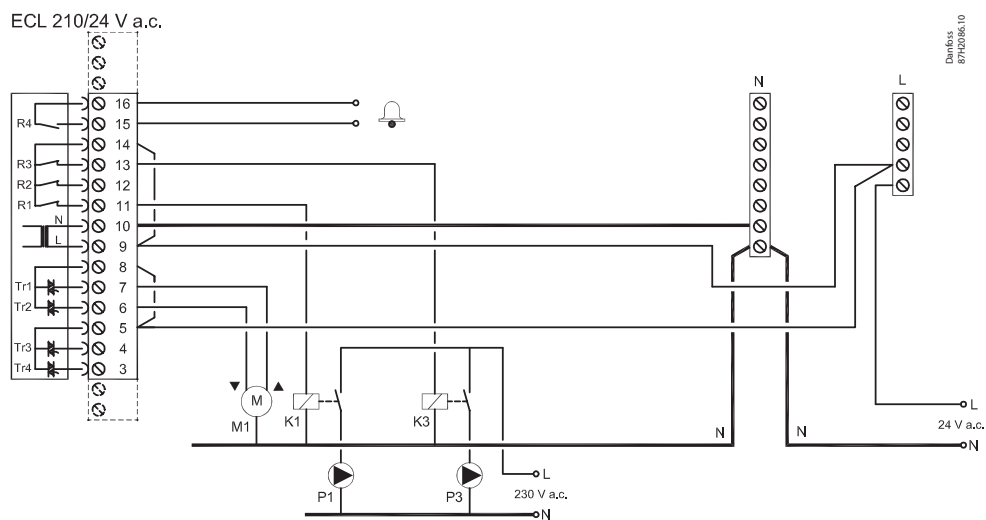
# Installation Guide, ECL Comfort 210 / 296 / 310, A217 / A317

## ECL Comfort 210 / 296 / 310:

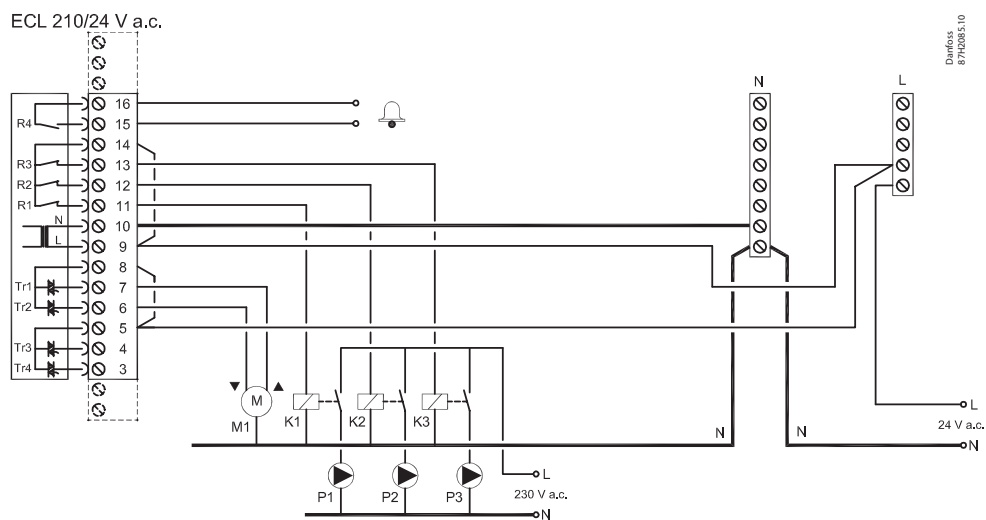
24 V a.c.

R		4 (2) A / 24 V a.c.
R		
Tr		1 A / 24 V a.c.

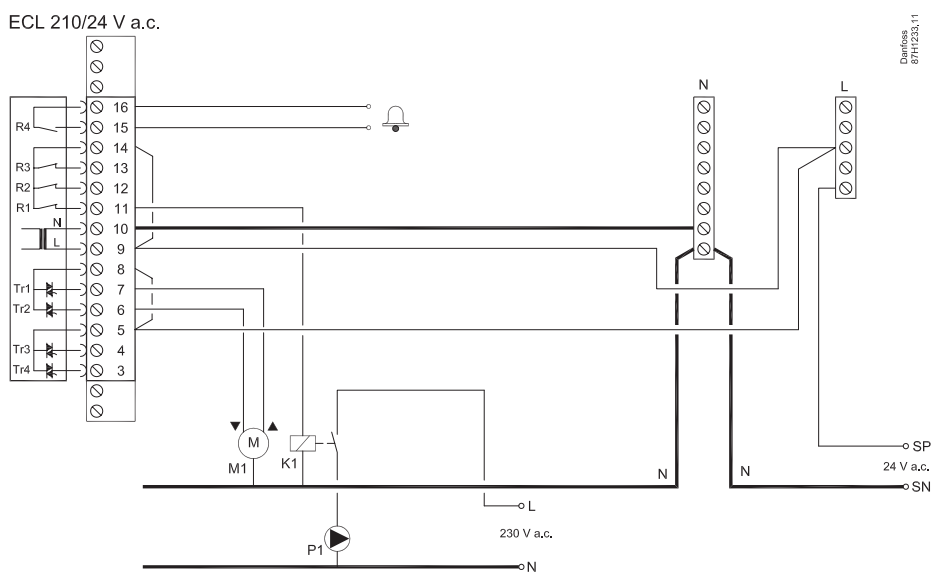
### 24 V a.c., A217.1



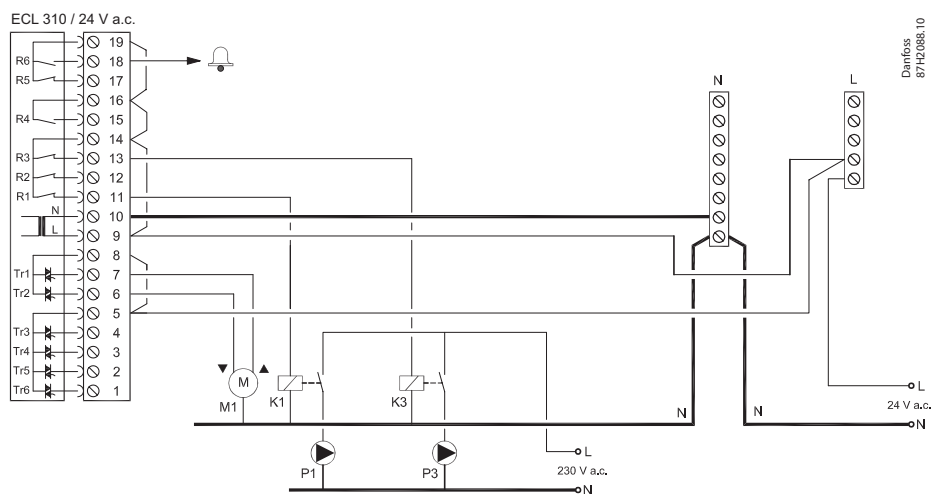
### 24 V a.c., A217.2



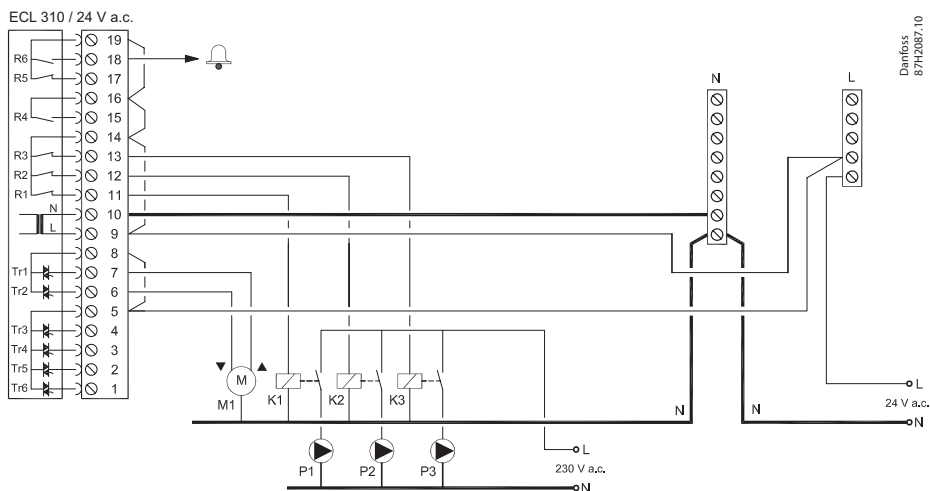
24 V a.c., A217.3



24 V a.c., A317.1

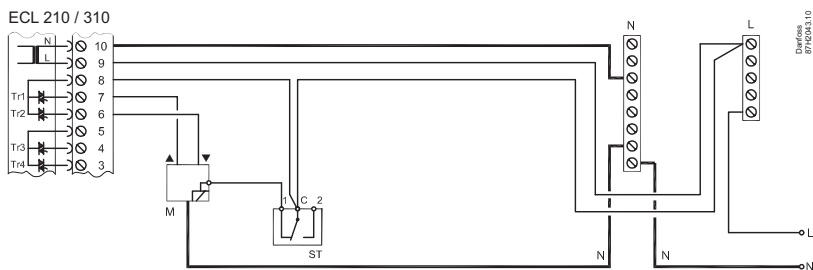


24 V a.c., A317.2



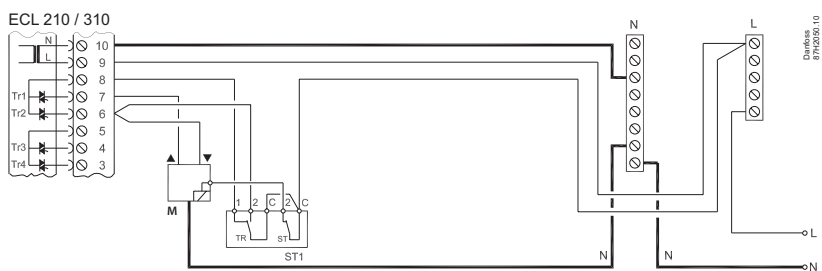
24 V a.c. / 230 V a.c. safety thermostat

1-step closing



24 V a.c. / 230 V a.c. safety thermostat

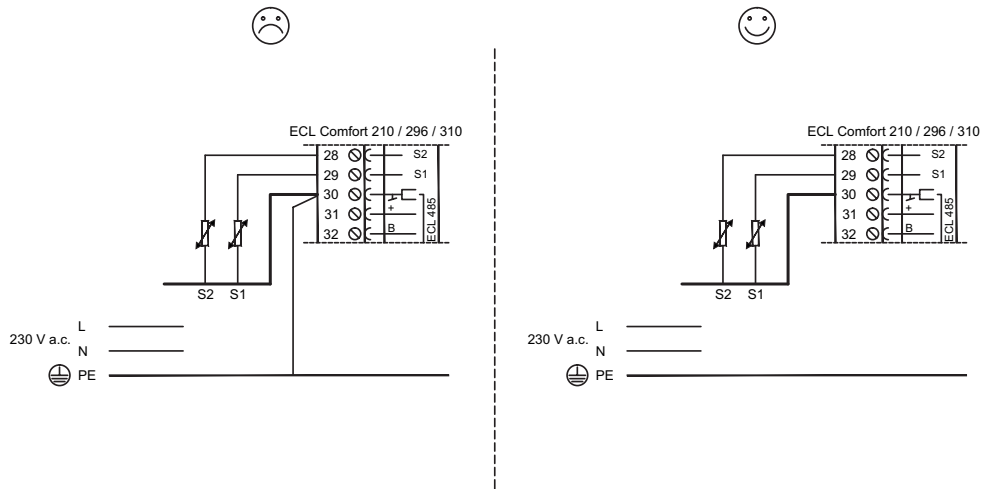
2-step closing





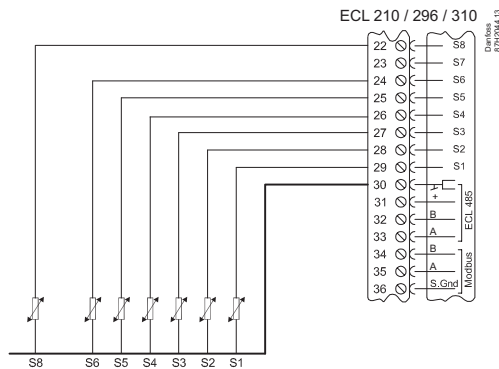
# Installation Guide, ECL Comfort 210 / 296 / 310, A217 / A317

**Pt 1000** (1000 Ω / 0 °C)

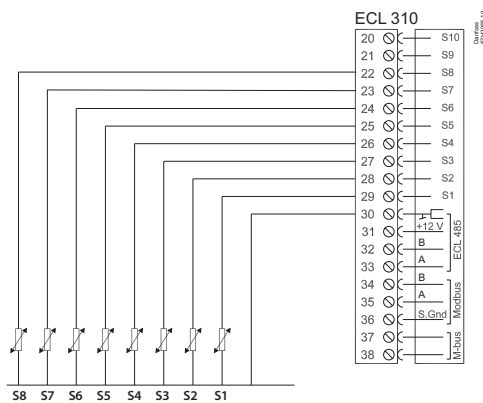


Danfoss  
87H1487.11

**Pt 1000** (1000 Ω / 0 °C)  
A217.1

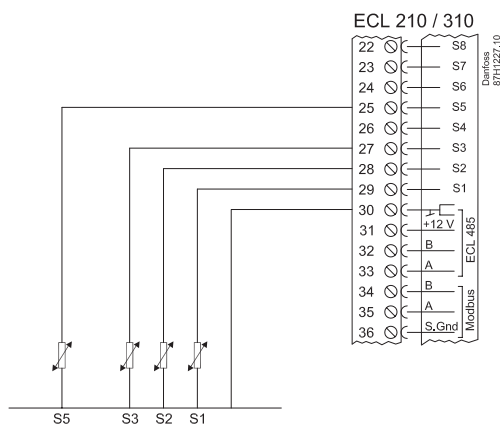


**Pt 1000** (1000 Ω / 0 °C)  
A217.2

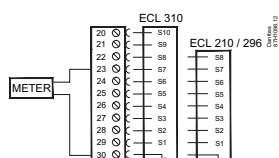
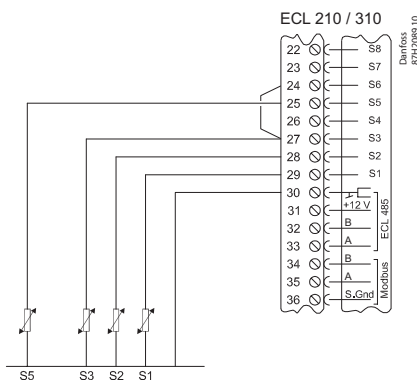


# Installation Guide, ECL Comfort 210 / 296 / 310, A217 / A317

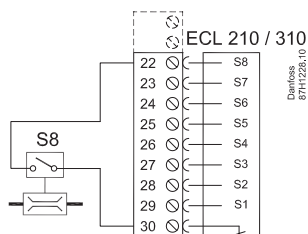
**Pt 1000** (1000 Ω / 0 °C)  
A217.3



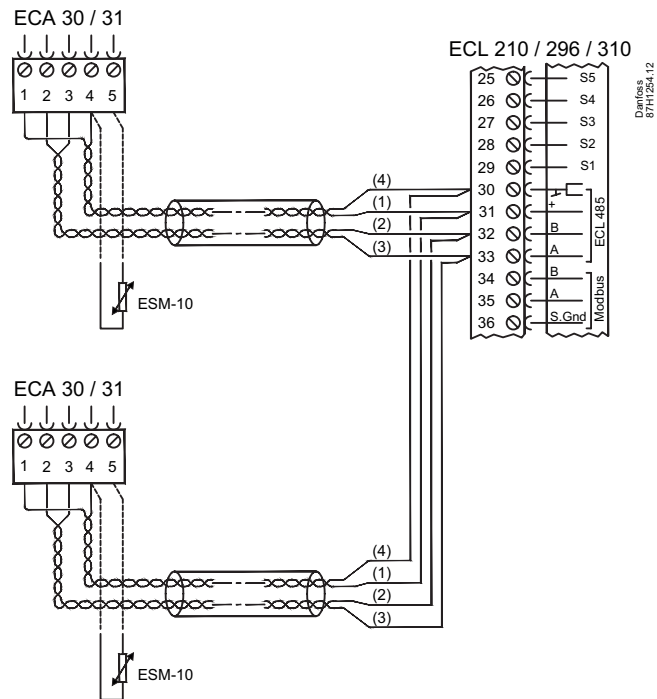
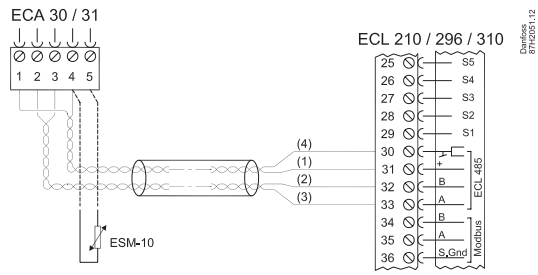
A217.1 / A317.1 (ex. d):



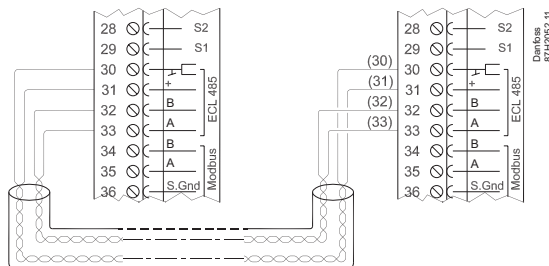
A217.3



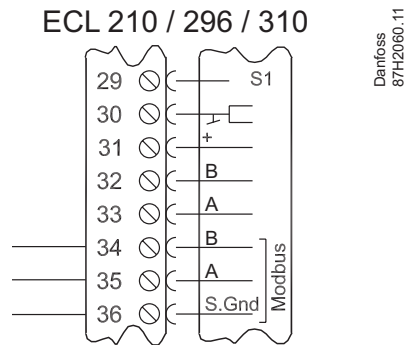
ECA 30 / 31



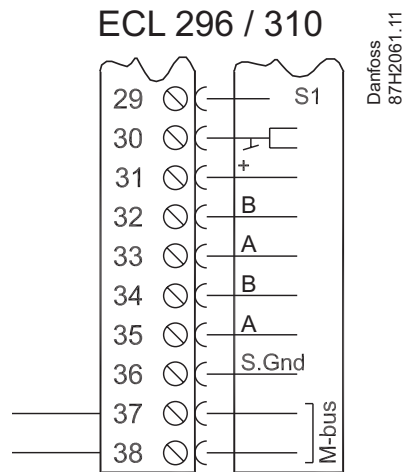
Master / slave



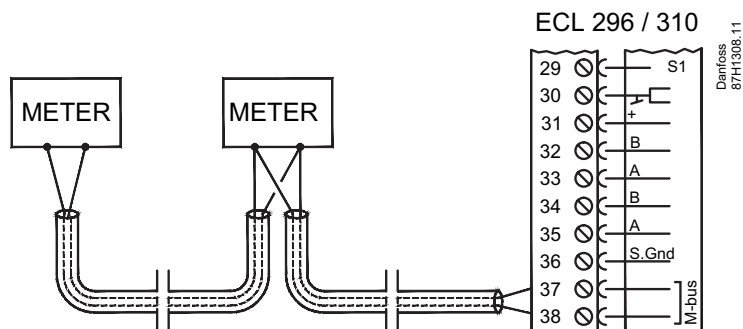
**Modbus**



**M-bus**



**M-bus**

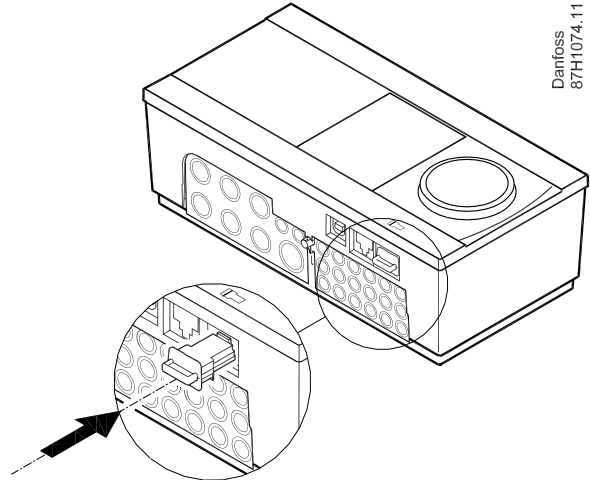
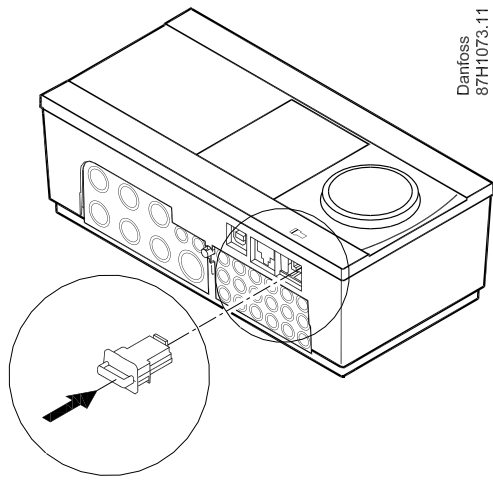
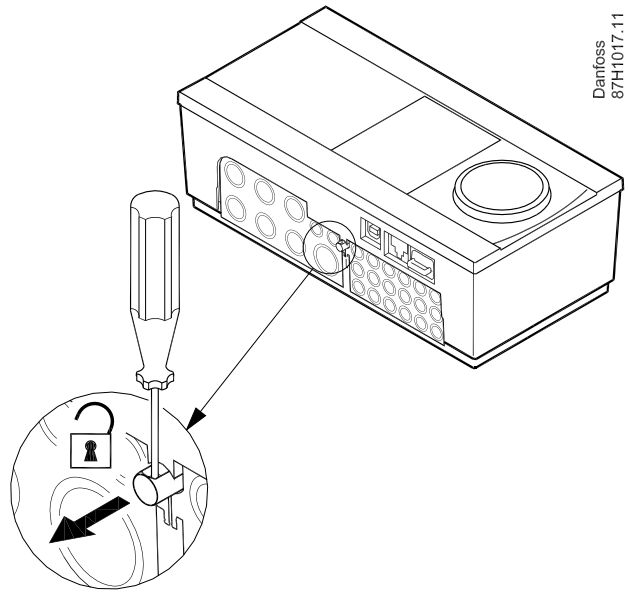








Installation Guide, ECL Comfort 210 / 296 / 310, A217 / A317



? **ECL Comfort 210 / 296 / 310, A217 / A317: [www.heating.danfoss.com](http://www.heating.danfoss.com)**



**Danfoss A/S**  
Heating Segment • [heating.danfoss.com](http://heating.danfoss.com) • +45 7488 2222 • E-Mail: [heating@danfoss.com](mailto:heating@danfoss.com)

Danfoss can accept no responsibility for possible errors in catalogues, brochures and other printed material. Danfoss reserves the right to alter its products without notice. This also applies to products already on order provided that such alterations can be made without subsequential changes being necessary in specifications already agreed. All trademarks in this material are property of the respective companies. Danfoss and all Danfoss logotypes are trademarks of Danfoss A/S. All rights reserved.