

Installation guide

Hot gas bypass regulator

Type TGHE

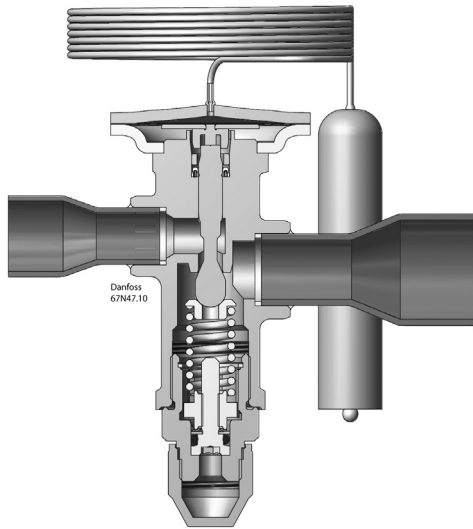
067R9605

067R9605

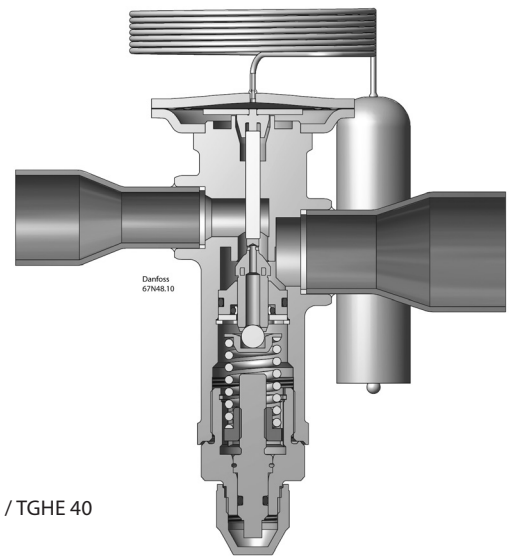
Refrigerants:
R22, R407C, R404A/R507, R410A, R134a
For complete list of approved refrigerants, go to www.danfoss.com

Max. working pressure:
PS/MWP = 46 bar / 667 psig

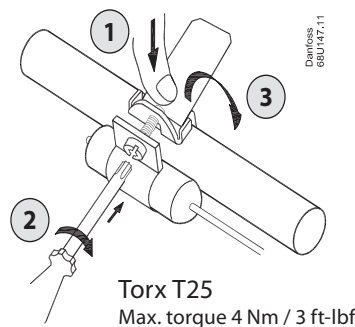
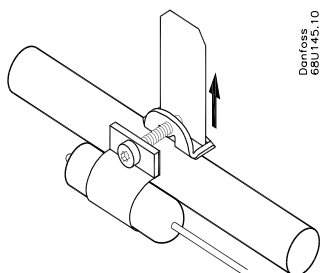
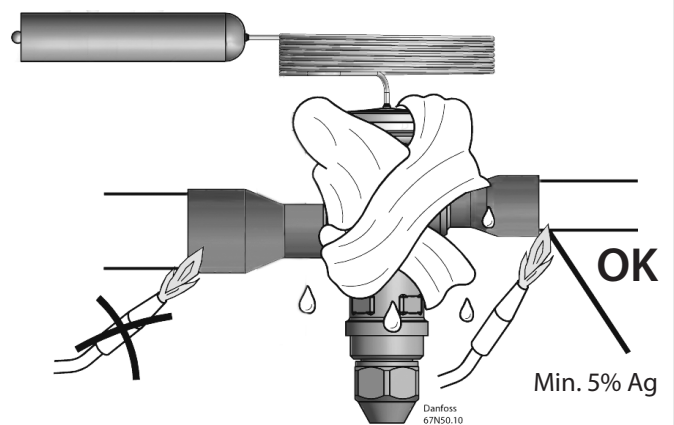
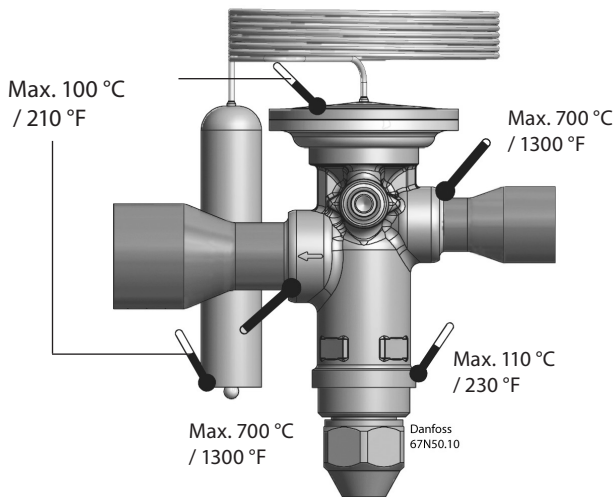
Max. test pressure:
 $P_{test} = 51 \text{ bar} / 740 \text{ psig}$



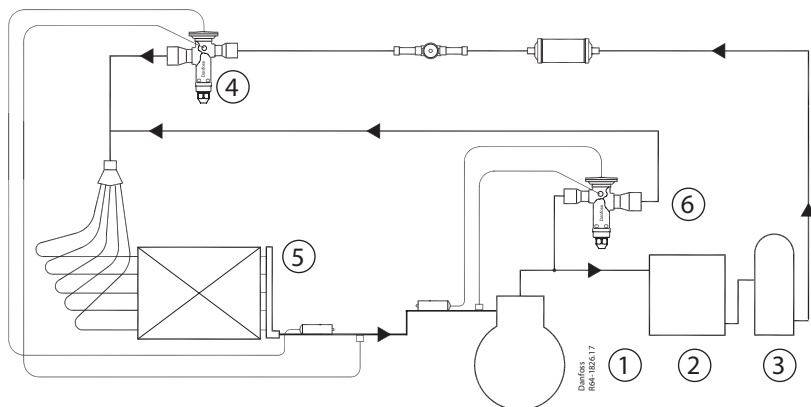
TGHE 10



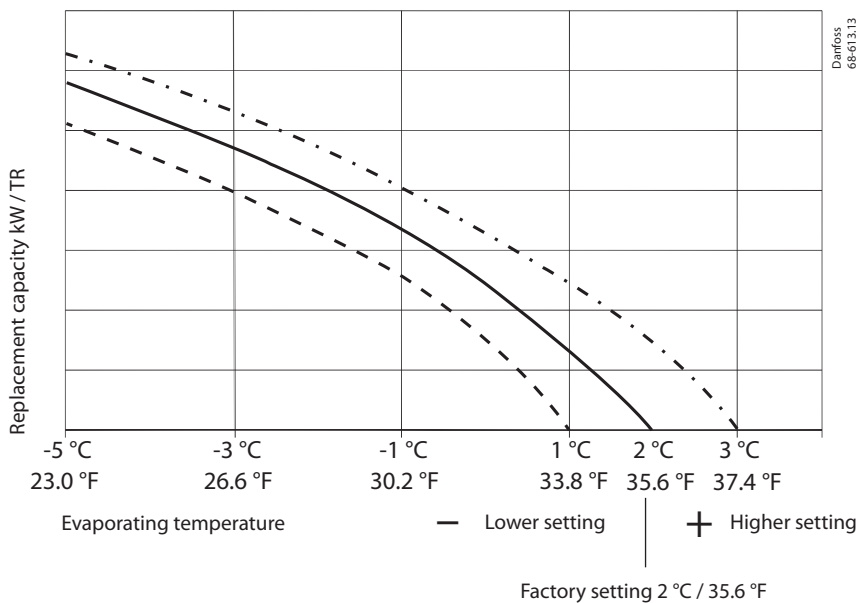
TGHE 20 / TGHE 40



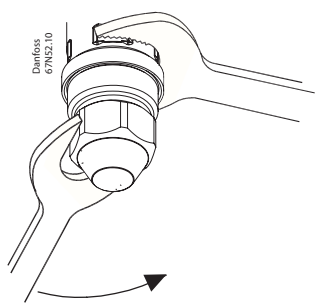
1. Compressor
2. Condenser
3. Receiver
4. Thermostatic expansion valve
5. Evaporator
6. Hotgas bypass regulator



Setting of TGHE



1



⊘ = 19 mm / 3/4 inch

Factory setting adjustment

2

TGHE 10



Max. torque
3 Nm / 2.2 ft-lbf

4 mm / 5/32 inch

TGHE 20 / TGHE 40

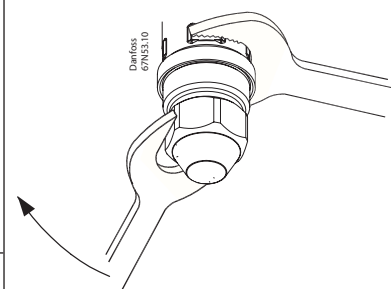


Max. torque
3 Nm / 2.2 ft-lbf

4.8 mm / 3/16 inch

2

3



Torque = 10 Nm / 7ft-lbf

Change of factory setting / 1 turn

Valve type	R22	R410A	R407C	R134a	R404A/507
TGHE 10	1 k / 1.8 °F	1 k / 1.8 °F	1 k / 1.8 °F	1 k / 1.8 °F	1 k / 1.8 °F
TGHE 20	1.5 k / 2.7 °F	1.5 k / 2.7 °F	1.5 k / 2.7 °F	1.5 k / 2.7 °F	1.5 k / 2.7 °F
TGHE 40	1 k / 1.8 °F	1 k / 1.8 °F	1 k / 1.8 °F	1.5 k / 2.7 °F	1.5 k / 2.7 °F