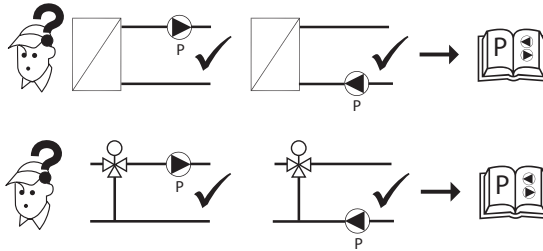
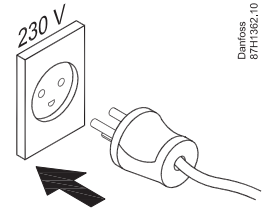
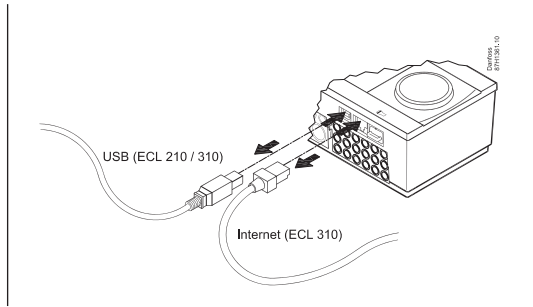
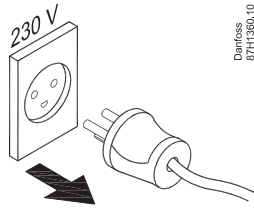
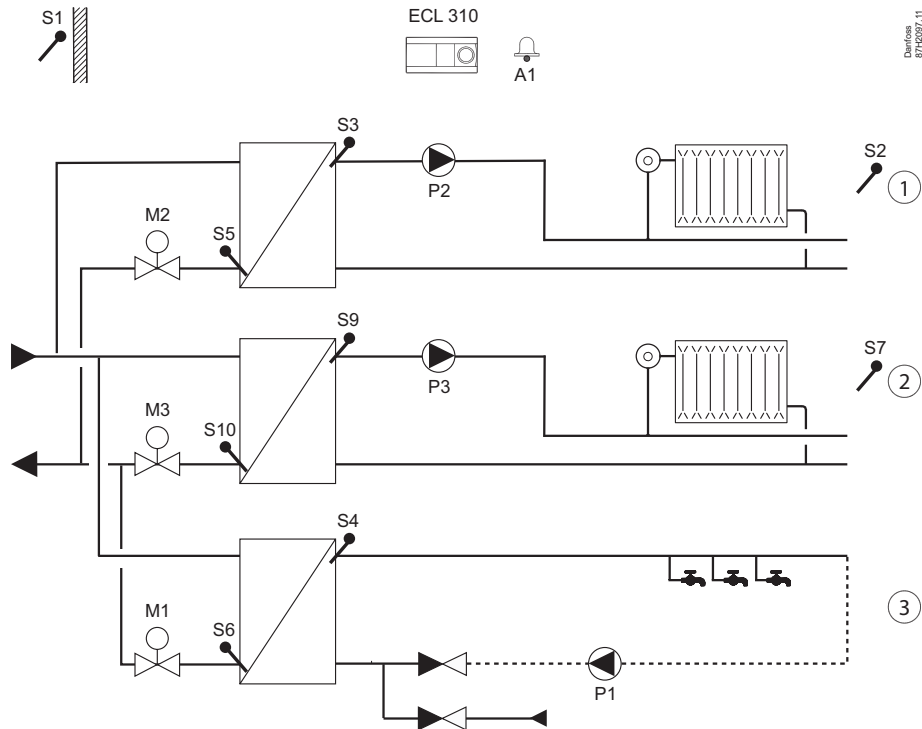


Installation Guide

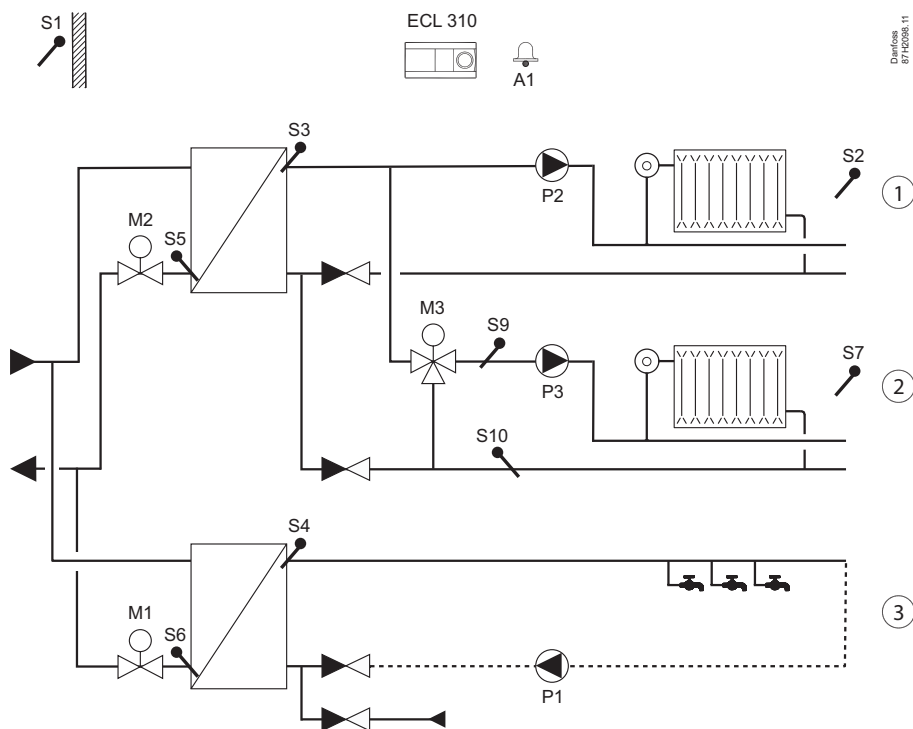
ECL Comfort 310, A376 (code no. 087H3810)



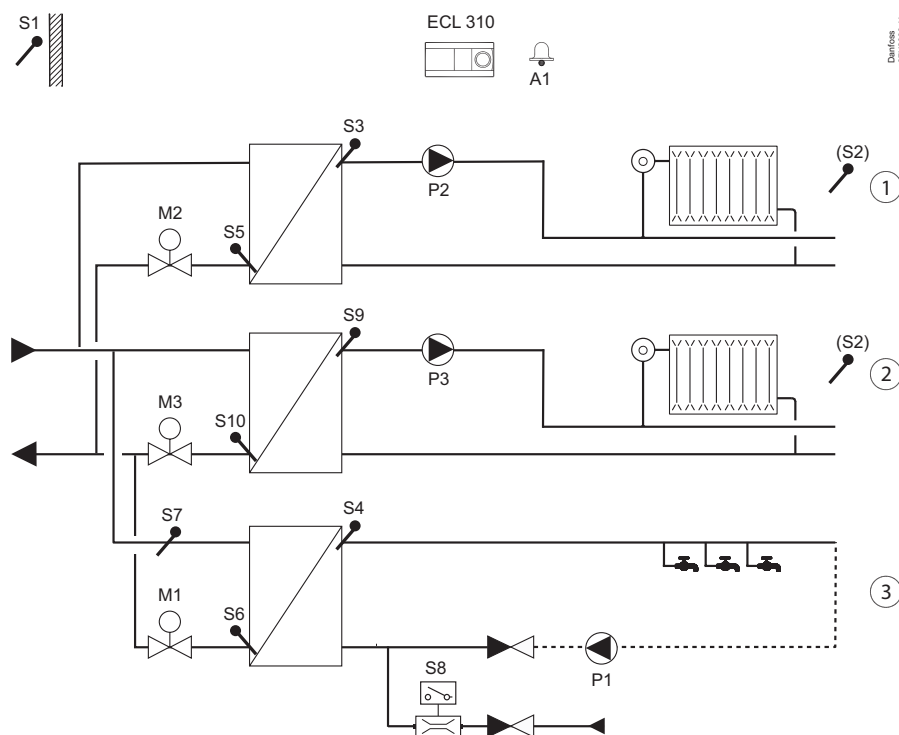
A376.1, ex. a:



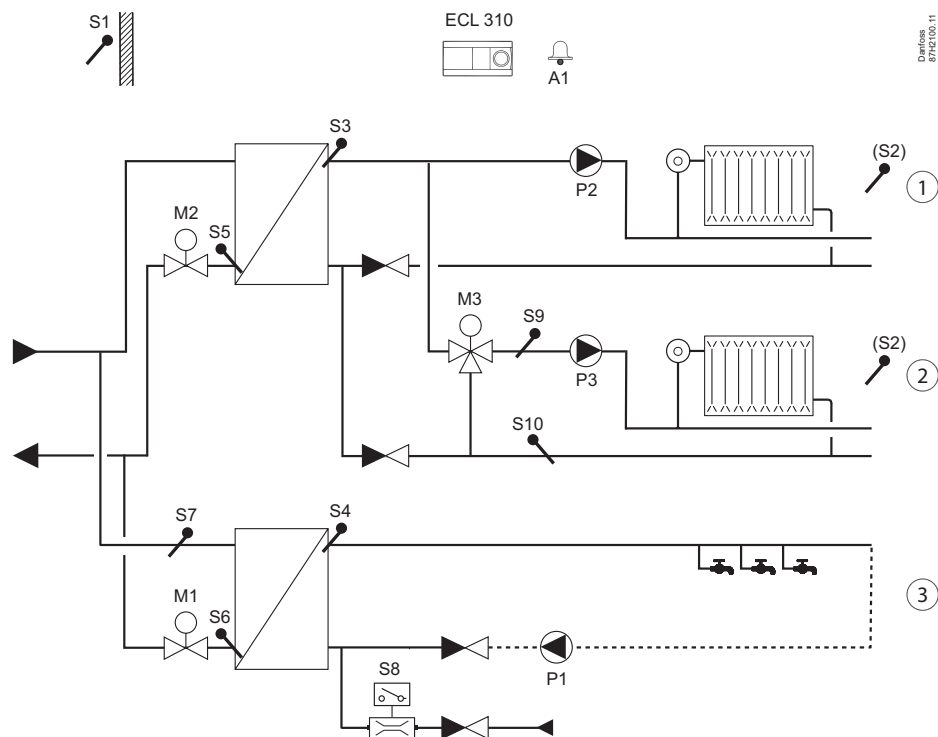
A376.1, ex. b:



A376.2, ex. a:

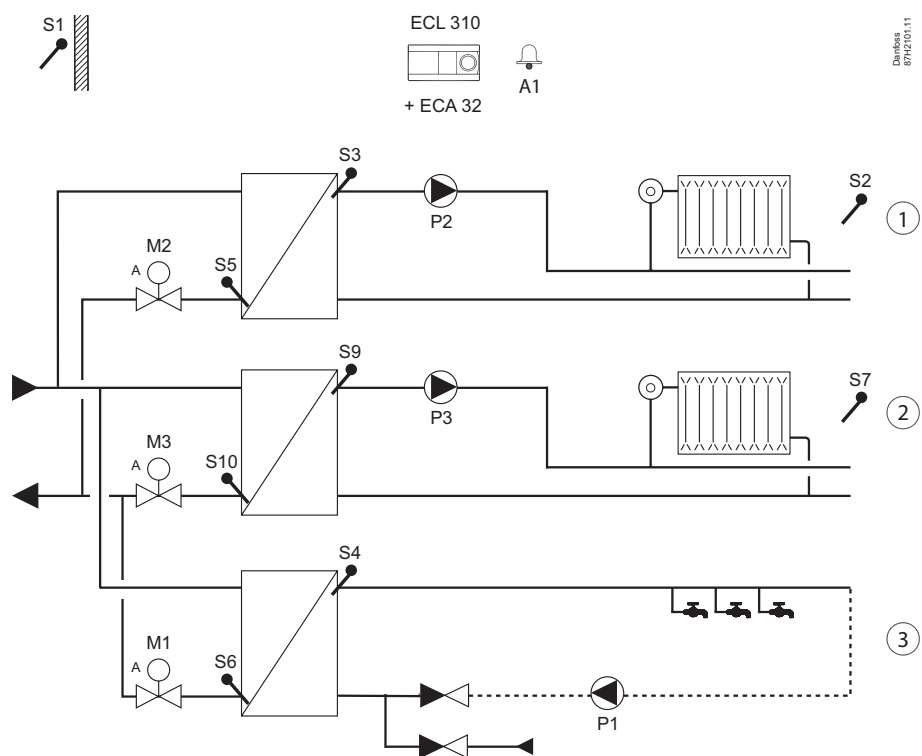


A376.2, ex. b:



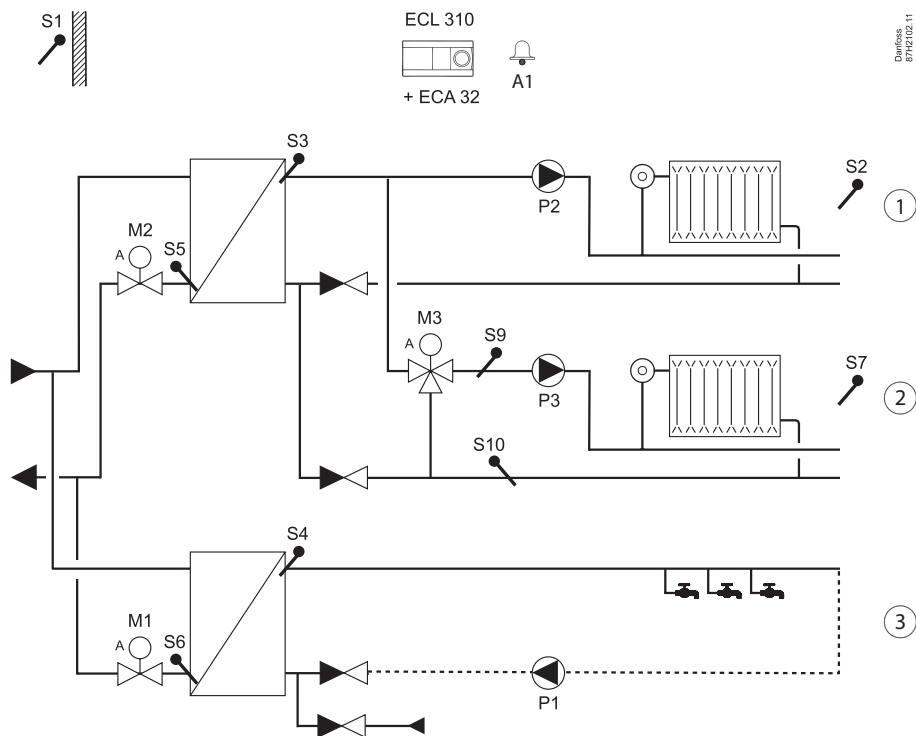
Danfoss
87142100.11

A376.3, ex. a:

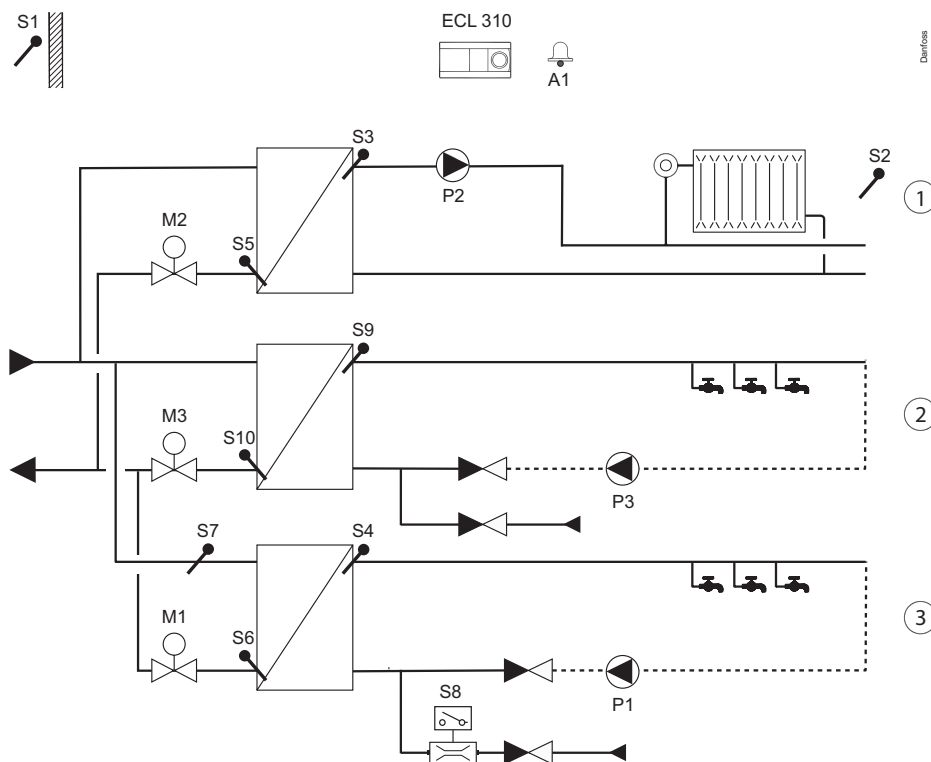


Danfoss
87142100.11

A376.3, ex. b:

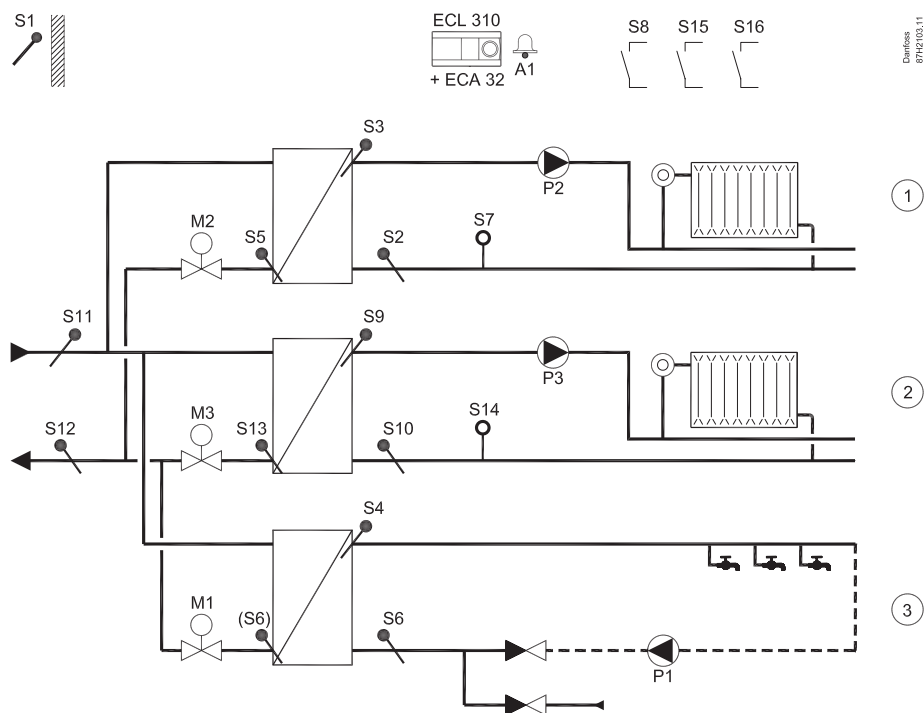


A376.4, ex. a:

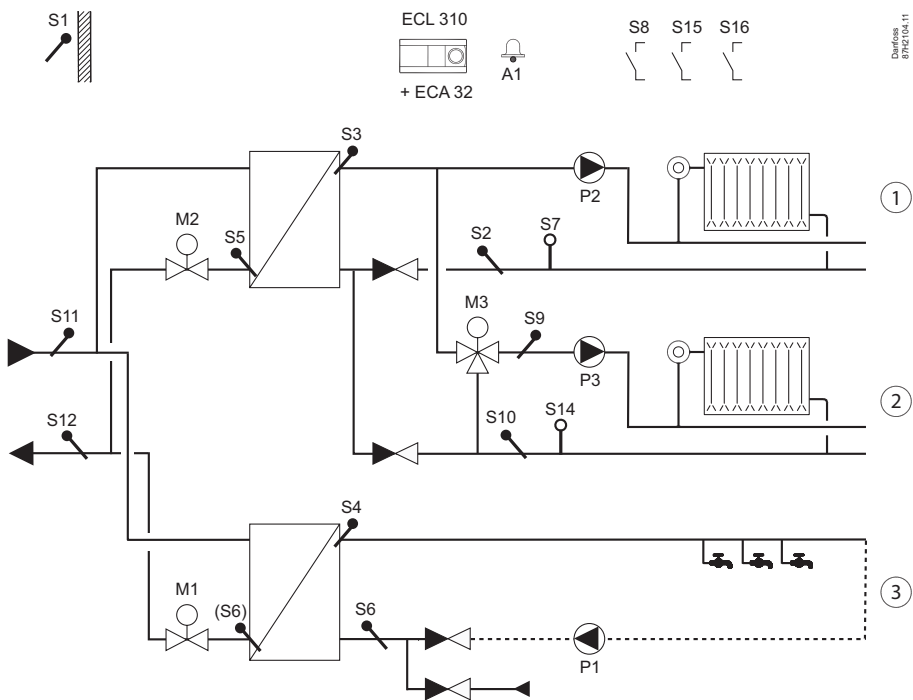


Installation Guide, ECL Comfort 310, A376

A376.9, ex. a:

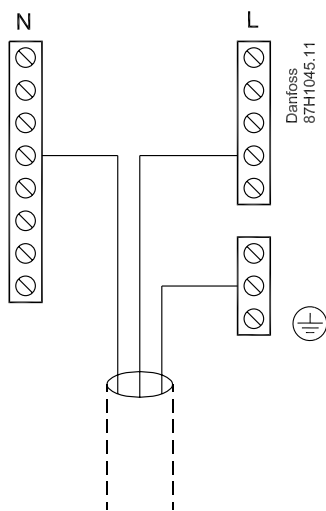
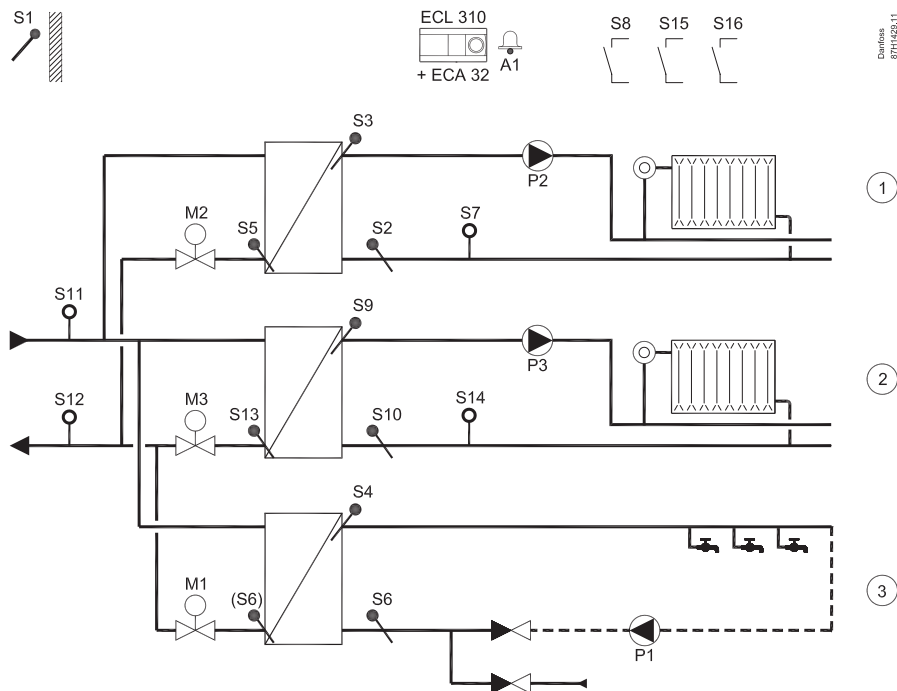


A376.9, ex. b:



Installation Guide, ECL Comfort 310, A376

A376.10, ex. a:

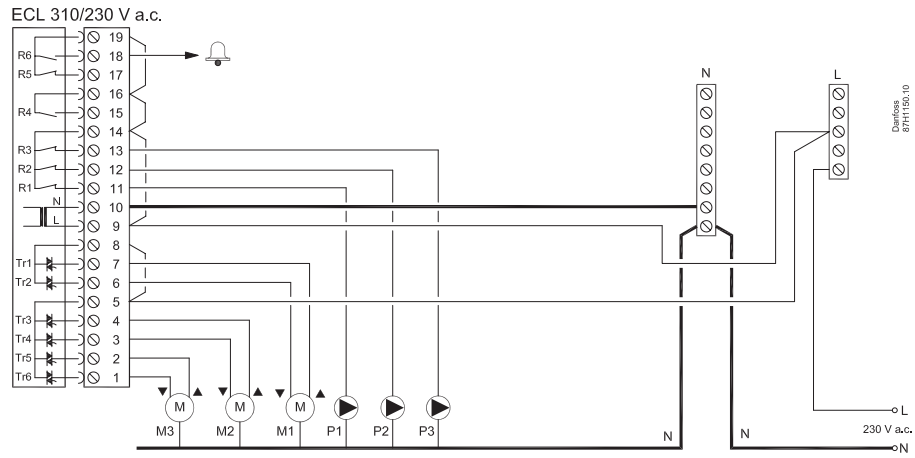


ECL Comfort 310:
230 V a.c.

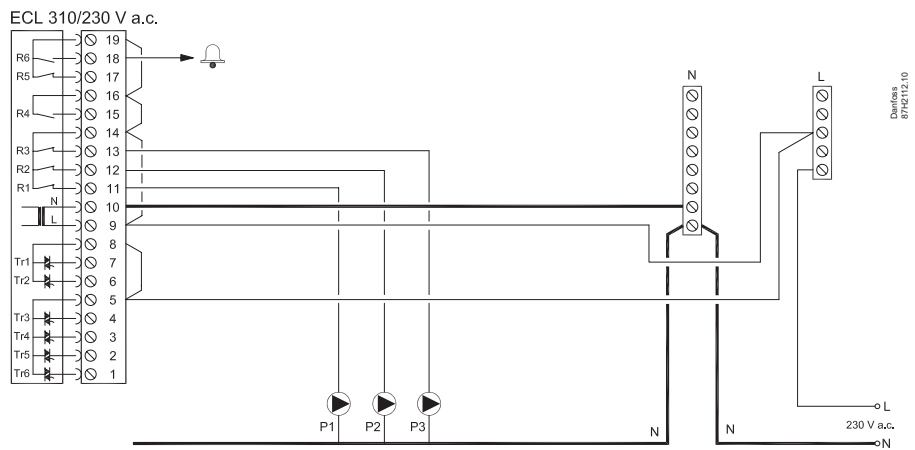
R		4 (2) A / 230 V a.c.
R		
Tr		0,2 A / 230 V a.c.

Installation Guide, ECL Comfort 310, A376

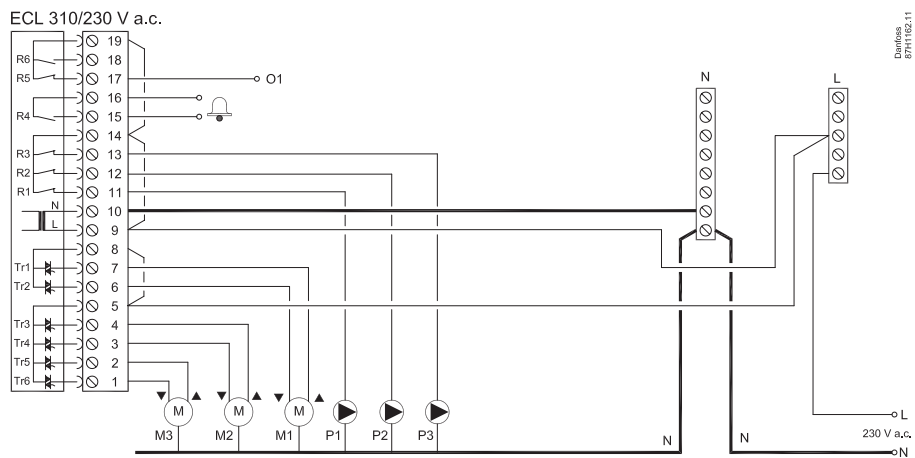
230 V a.c. - A376.1, A376.2, A376.4



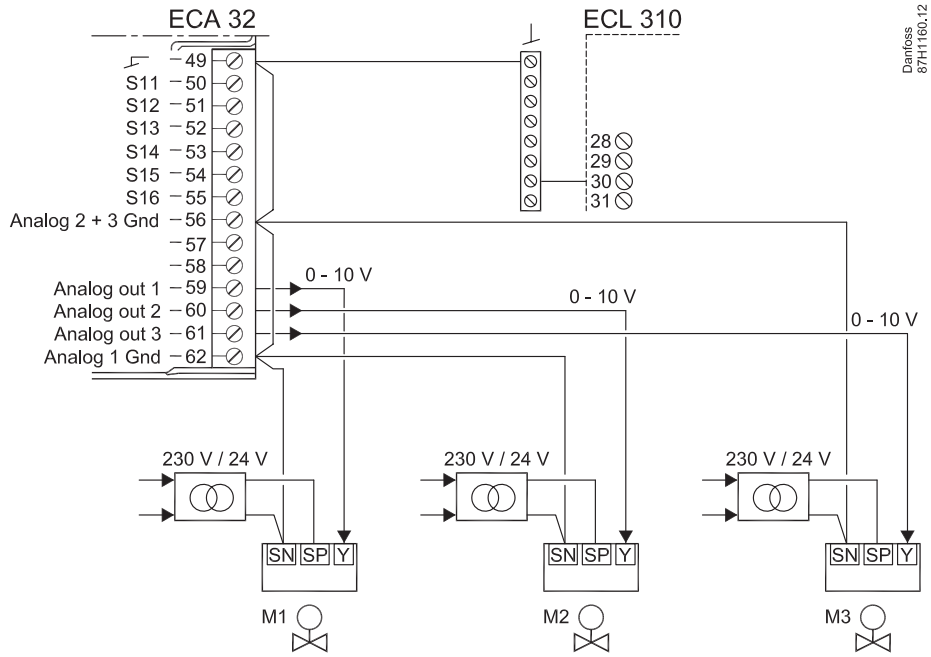
230 V a.c. - A376.3



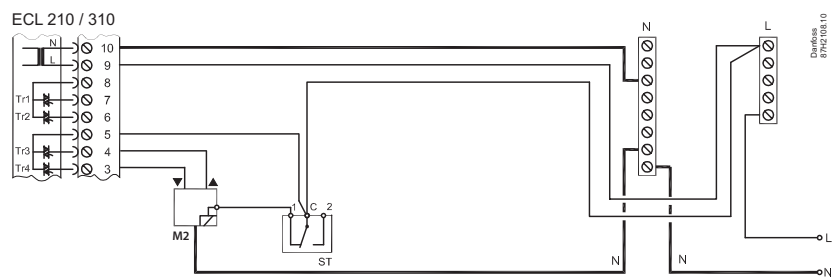
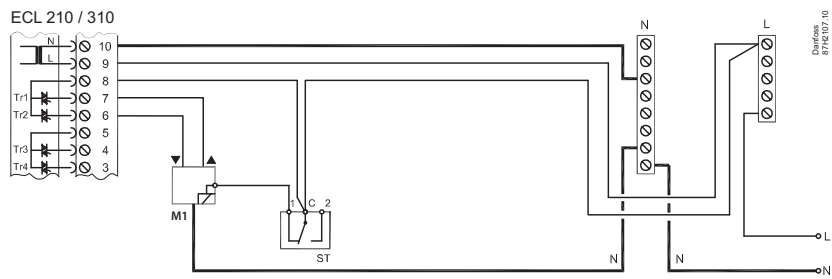
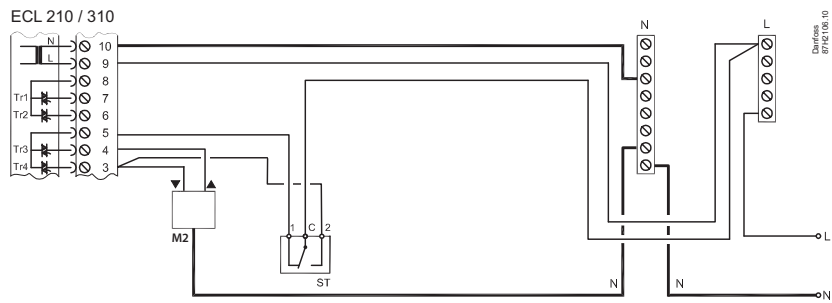
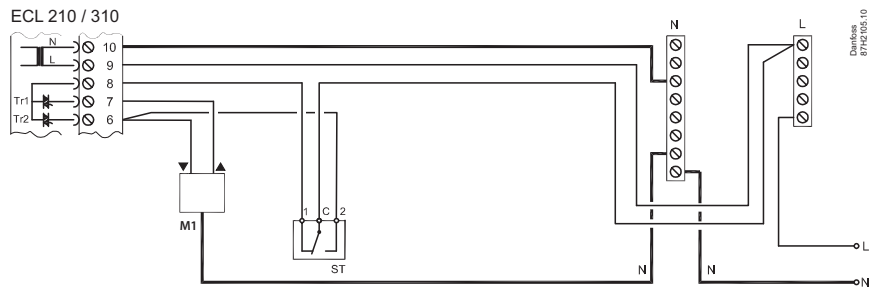
230 V a.c. - A376.9, A376.10



A376.3 - ECA 32

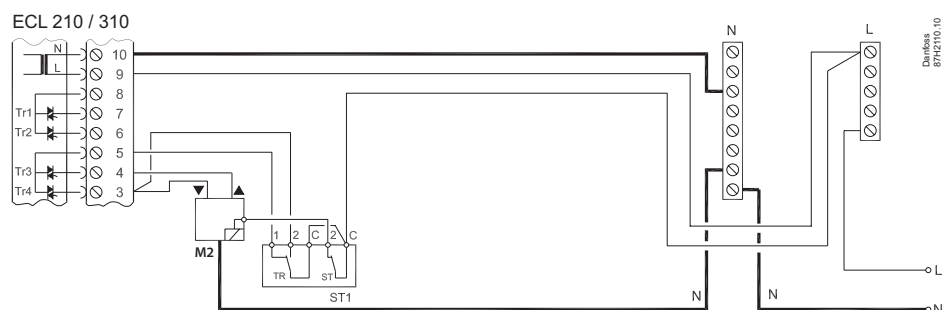
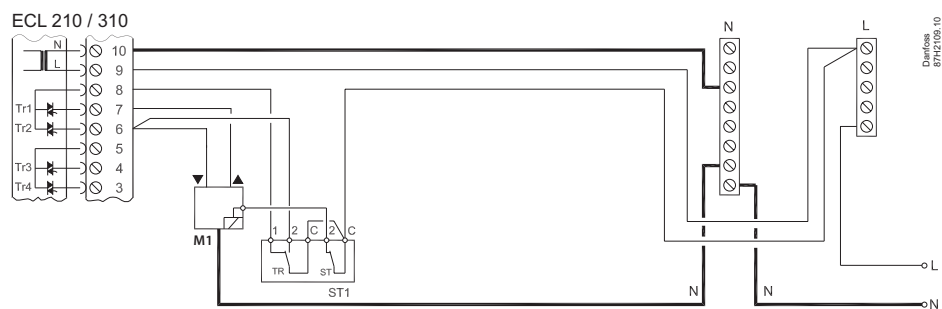


230 V a.c. / 24 V a.c. safety thermostat
1-step closing



Installation Guide, ECL Comfort 310, A376

230 V a.c. / 24 V a.c. safety thermostat 2-step closing

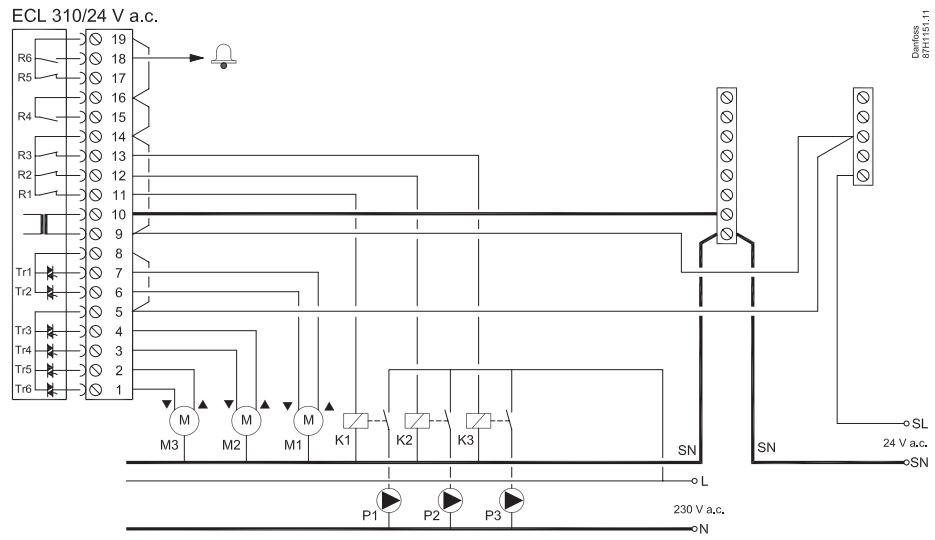


ECL Comfort 310: 24 V a.c.

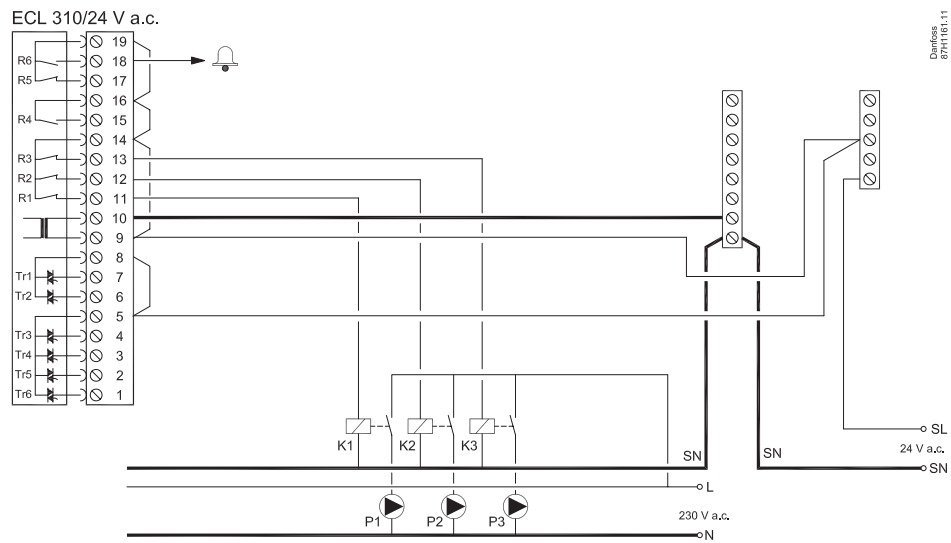
R		4 (2) A / 24 V a.c.
R		
Tr		1 A / 24 V a.c.

Installation Guide, ECL Comfort 310, A376

24 V a.c. - A376.1, A376.2, A376.4

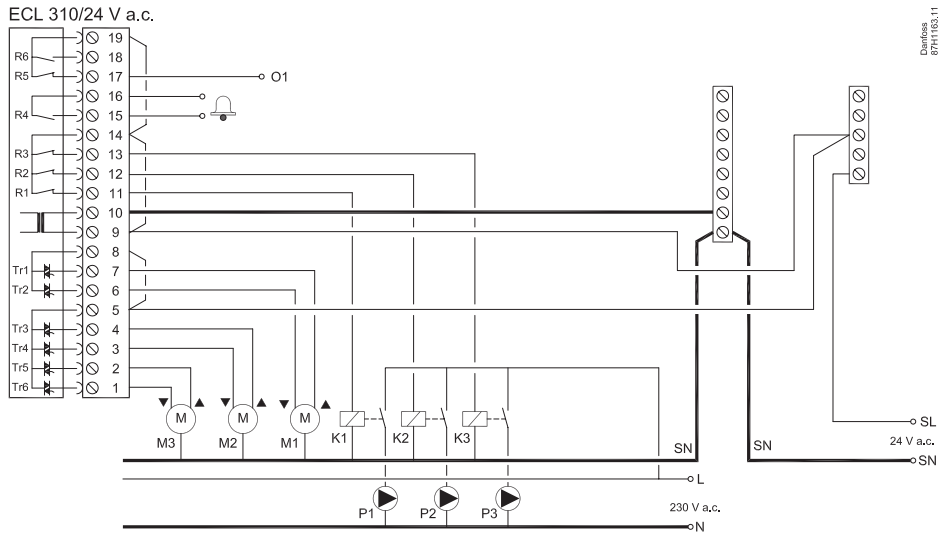


24 V a.c. - A376.3

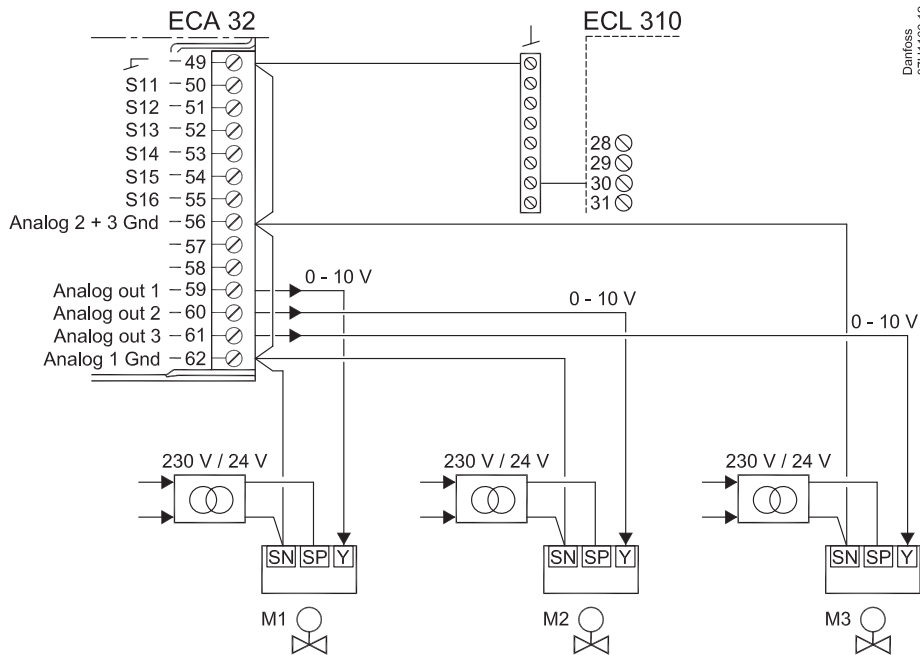


Installation Guide, ECL Comfort 310, A376

24 V a.c. - A376.9, A376.10



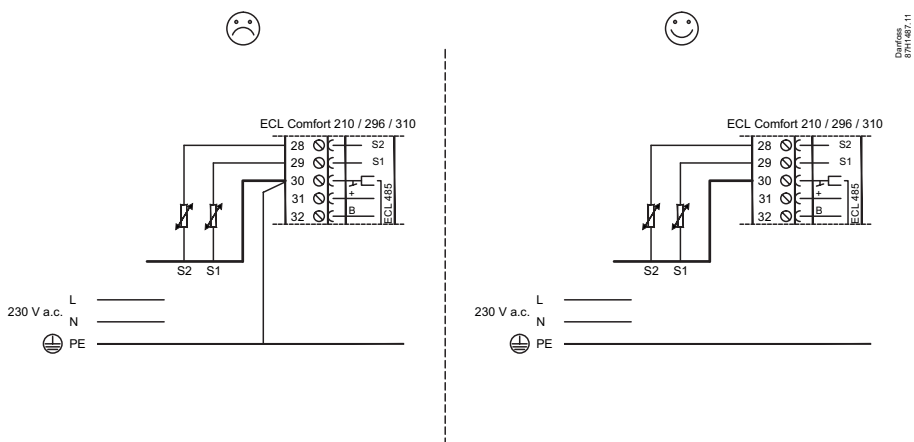
A376.3 - ECA 32



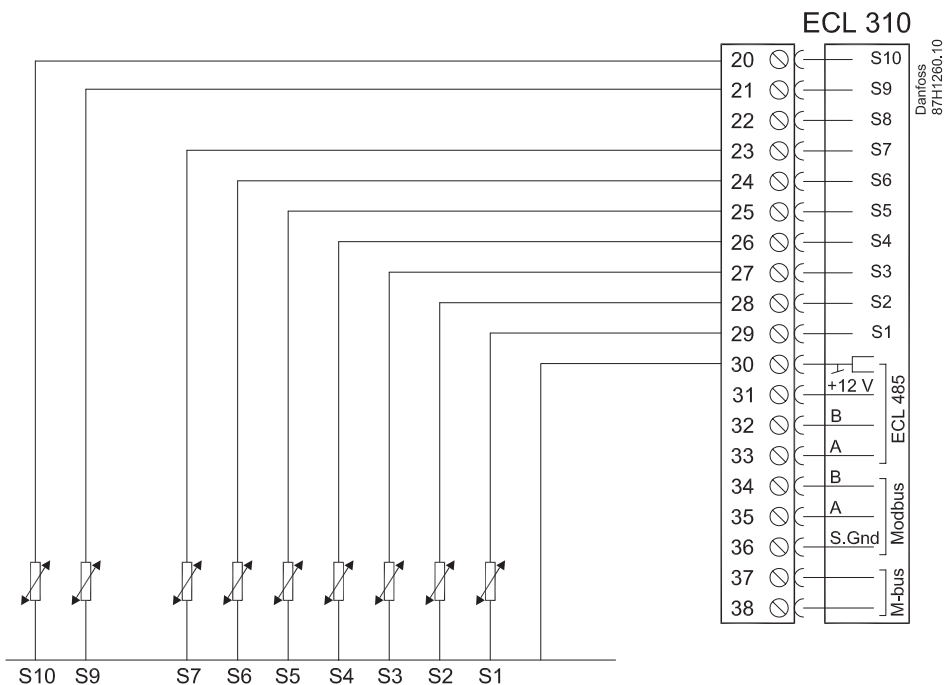
Installation Guide, ECL Comfort 310, A376

ECL 310

Pt 1000 (1000 Ω / 0 °C)



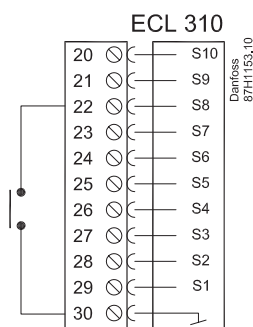
	S1	S2	S3	S4	S5	S6	S7	S8	S9	S10
A376.1	✓	✓	✓	✓	✓	✓	✓		✓	✓
A376.2	✓	✓	✓	✓	✓	✓	✓		✓	✓
A376.3	✓	✓	✓	✓	✓	✓	✓		✓	✓
A376.4	✓	✓	✓	✓	✓	✓	✓		✓	✓
A376.9	✓	✓	✓	✓	✓	✓			✓	✓
A376.10	✓	✓	✓	✓	✓	✓			✓	✓



ECL 310



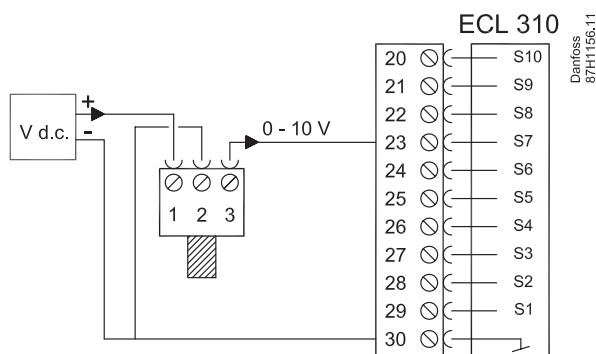
	S8
A376.1	
A376.2	✓
A376.3	
A376.4	✓
A376.9	✓
A376.10	✓



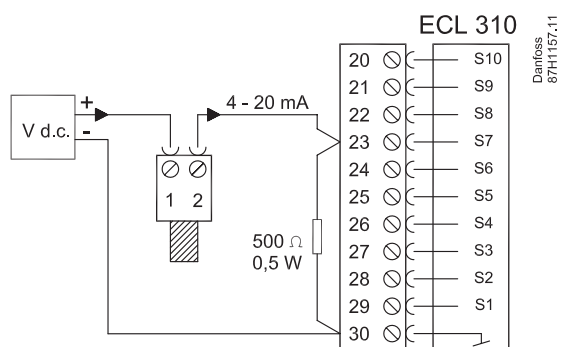
ECL 310



	S7
A376.1	
A376.2	
A376.3	
A376.4	
A376.9	✓
A376.10	✓



V d.c. = 12 - 24 V d.c.

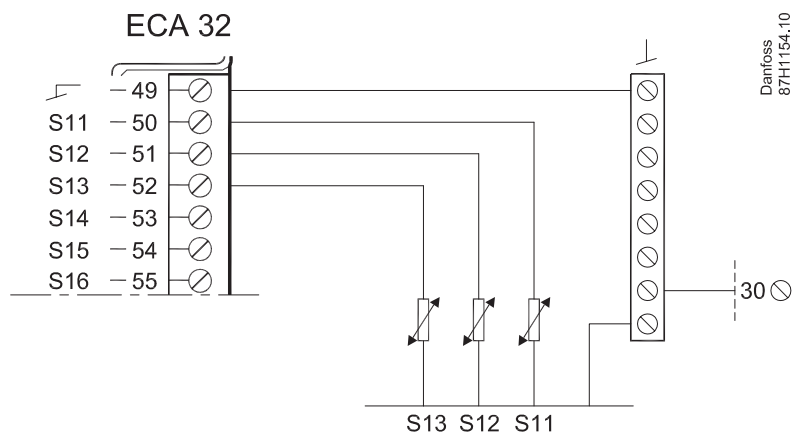


V d.c. = 12 - 24 V d.c.

ECA 32

Pt 1000 (1000 Ω / 0 °C)

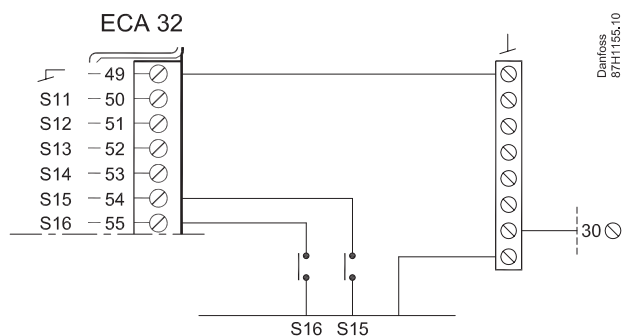
	S11	S12	S13
A376.1			
A376.2			
A376.3			
A376.4			
A376.9	✓	✓	✓
A376.10			✓



ECA32



	S15	S16
A376.1		
A376.2		
A376.3		
A376.4		
A376.9	✓	✓
A376.10	✓	✓

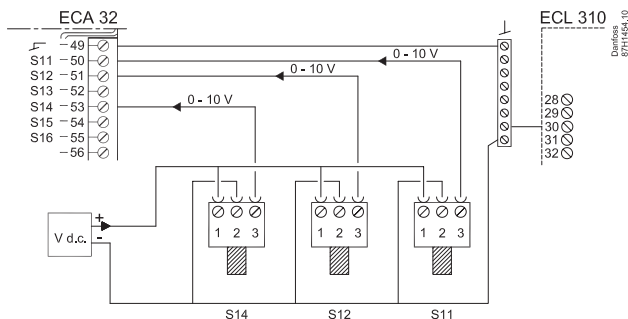


Danfoss
87H1155.10

ECA32



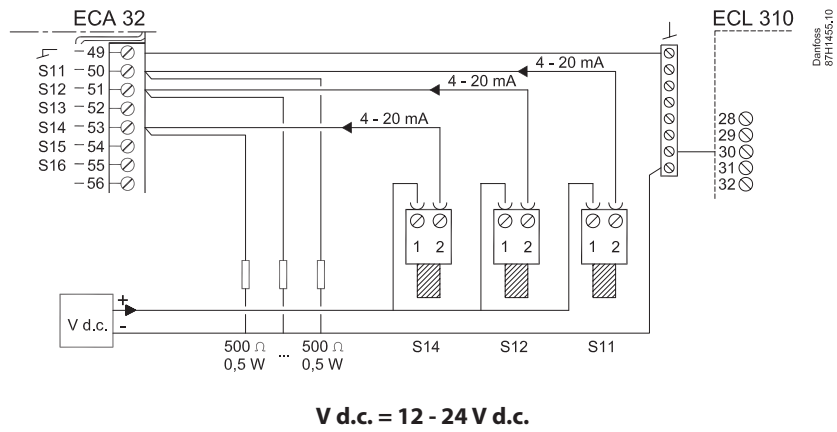
	S11	S12	S13	S14
A376.1				
A376.2				
A376.3				
A376.4				
A376.9				✓
A376.10	✓	✓		✓



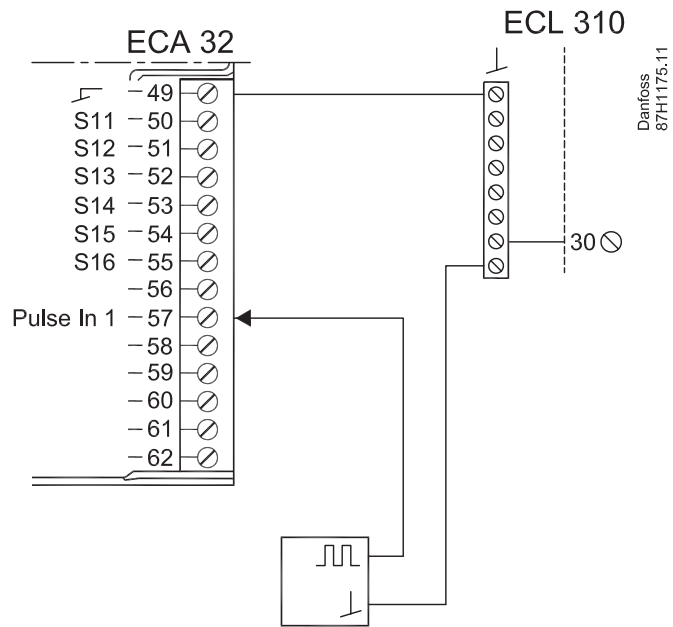
Danfoss
87H1155.10

V d.c. = 12 - 24 V d.c.

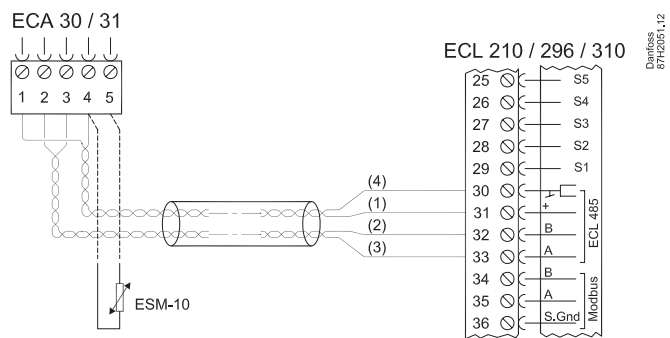
Installation Guide, ECL Comfort 310, A376



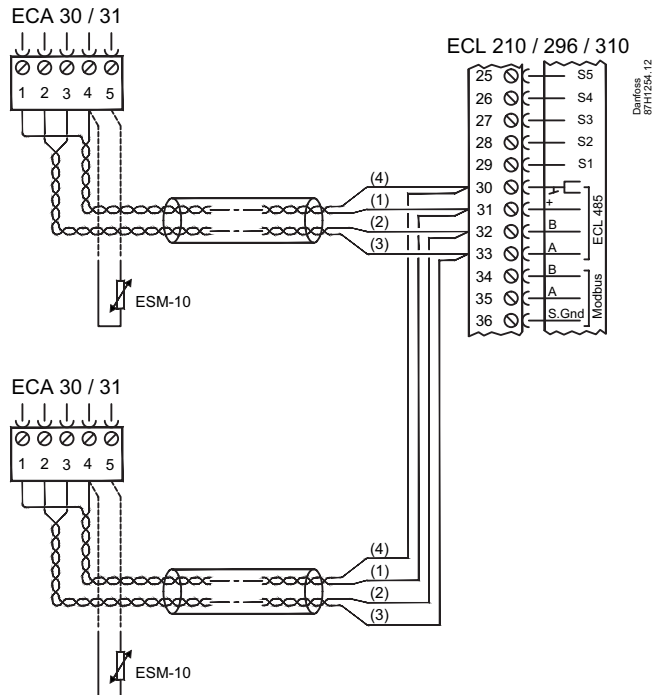
A376.9, A376.10



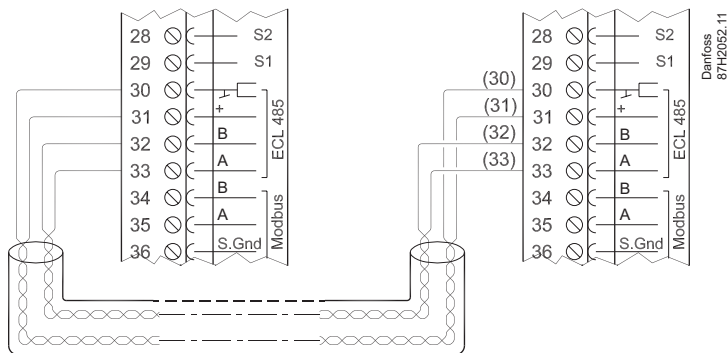
ECA 30 / 31



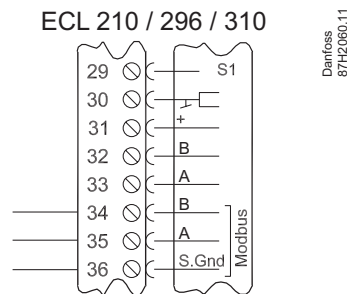
ECA 30 / 31



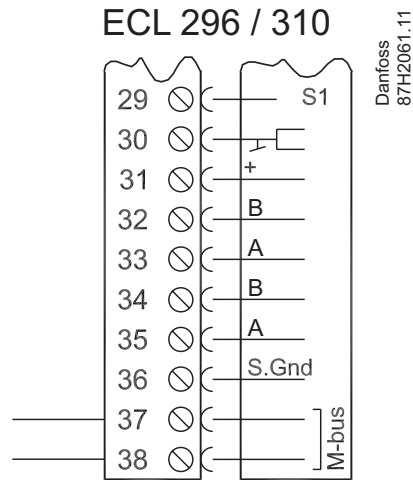
Master / slave



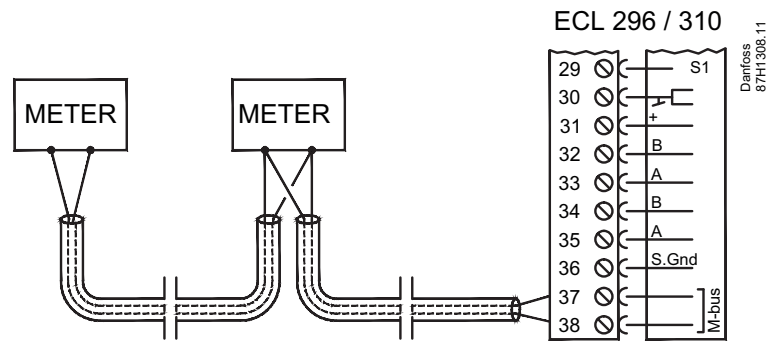
Modbus



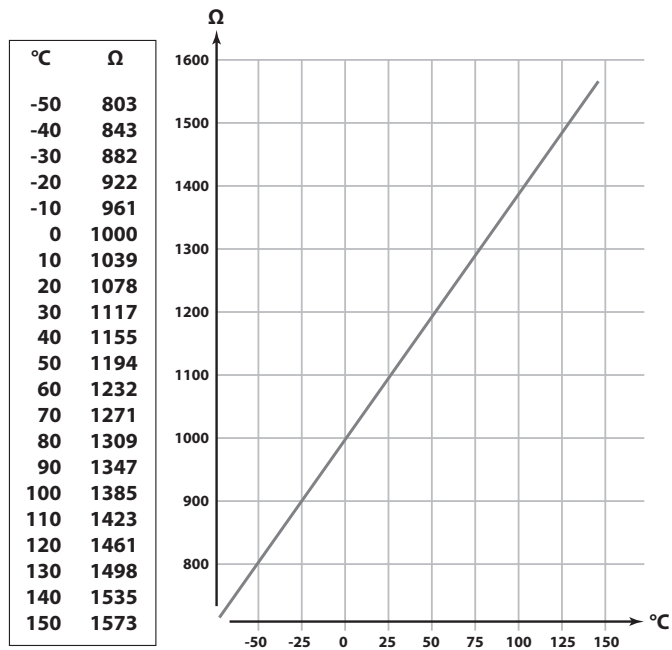
M-bus



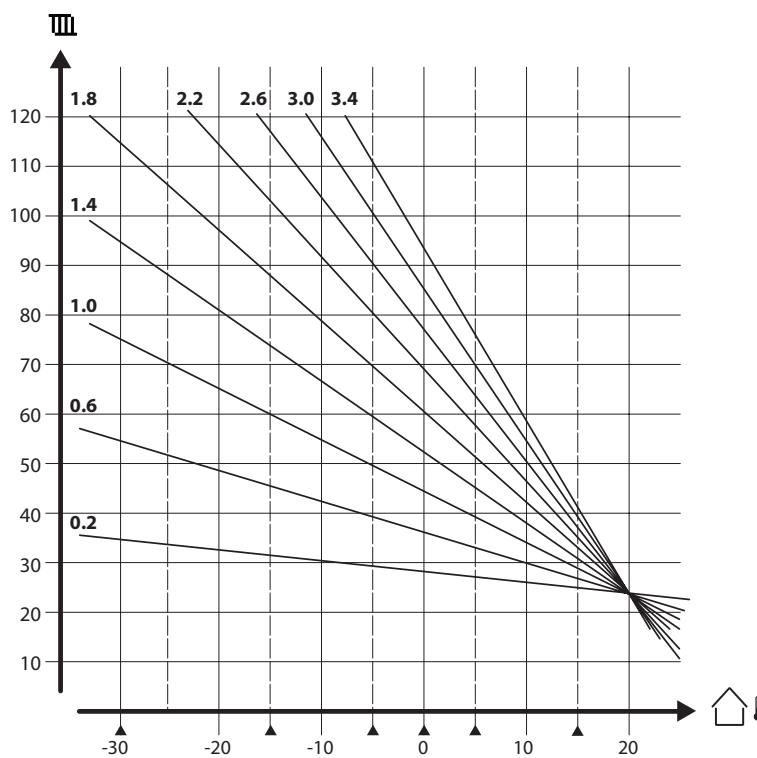
M-bus



Pt 1000 (IEC 751B, 1000 Ω / 0 °C)



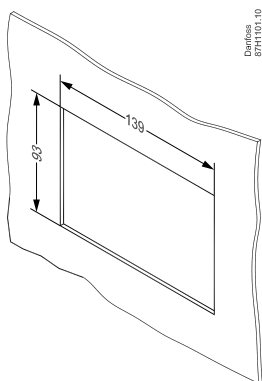
Heat curves



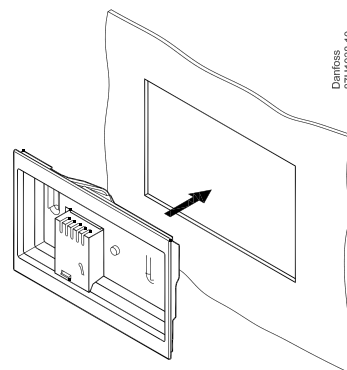
Installation Guide, ECL Comfort 310, A376

ECA 30

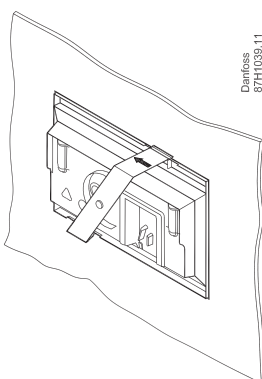
1



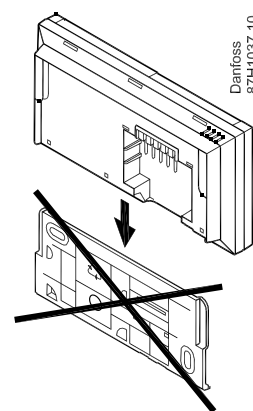
2



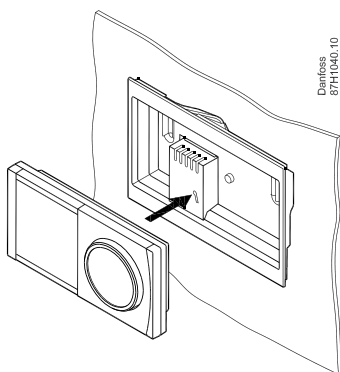
3



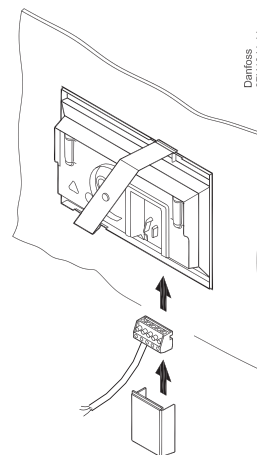
4



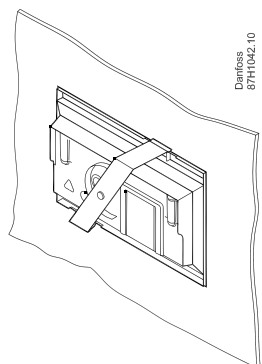
5



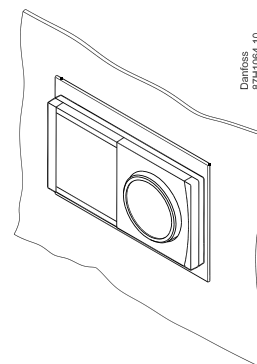
6



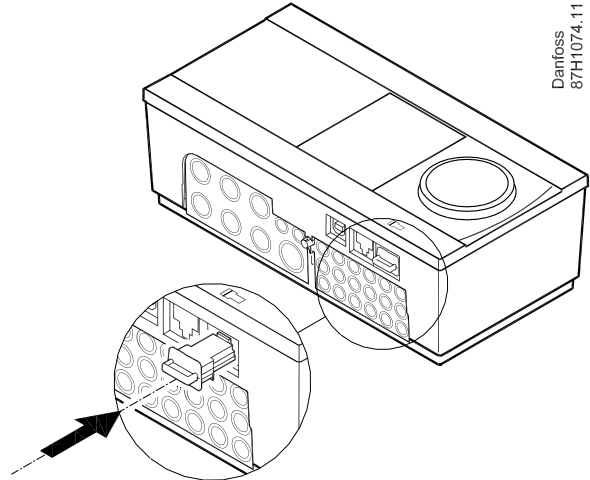
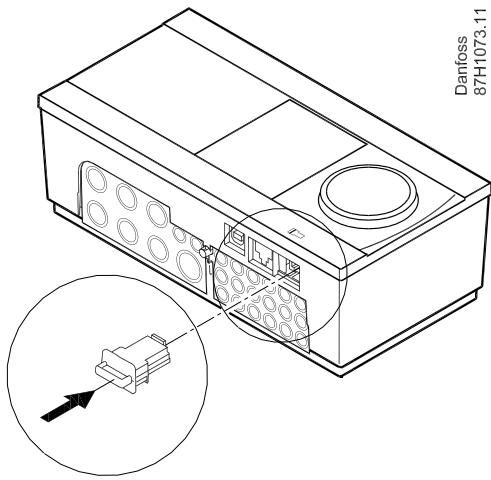
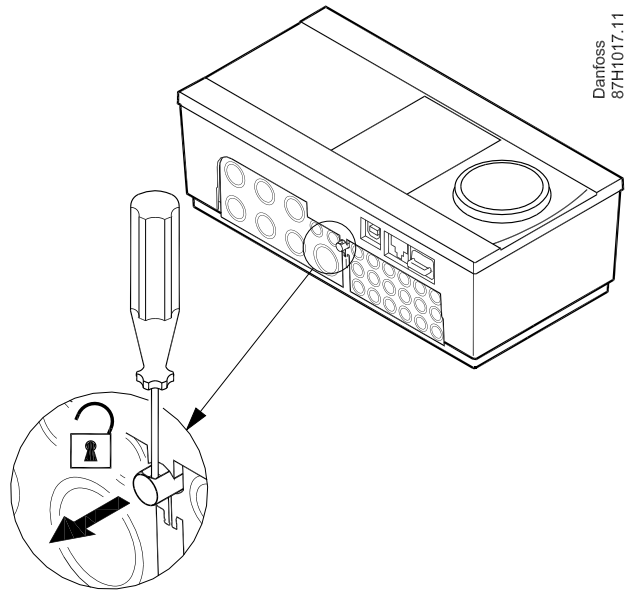
7



8



Installation Guide, ECL Comfort 310, A376



? **ECL Comfort 310, A376: www.heating.danfoss.com**



Danfoss A/S
Heating Segment • heating.danfoss.com • +45 7488 2222 • E-Mail: heating@danfoss.com

Danfoss can accept no responsibility for possible errors in catalogues, brochures and other printed material. Danfoss reserves the right to alter its products without notice. This also applies to products already on order provided that such alterations can be made without consequential changes being necessary in specifications already agreed. All trademarks in this material are property of the respective companies. Danfoss and all Danfoss logotypes are trademarks of Danfoss A/S. All rights reserved.