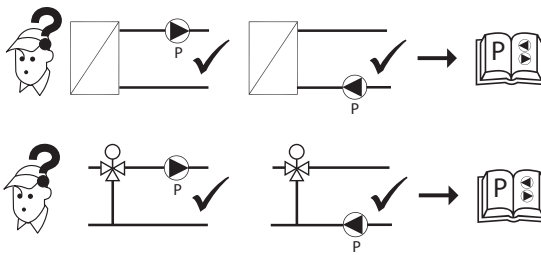
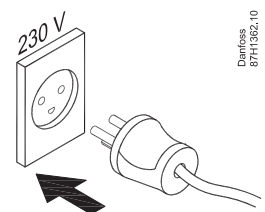
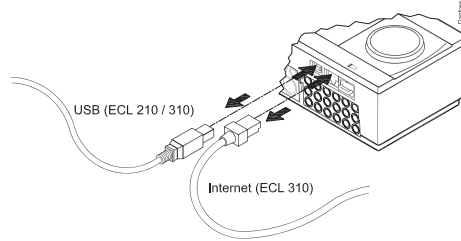
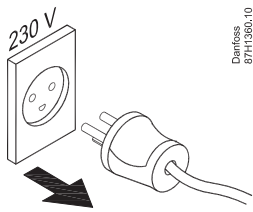
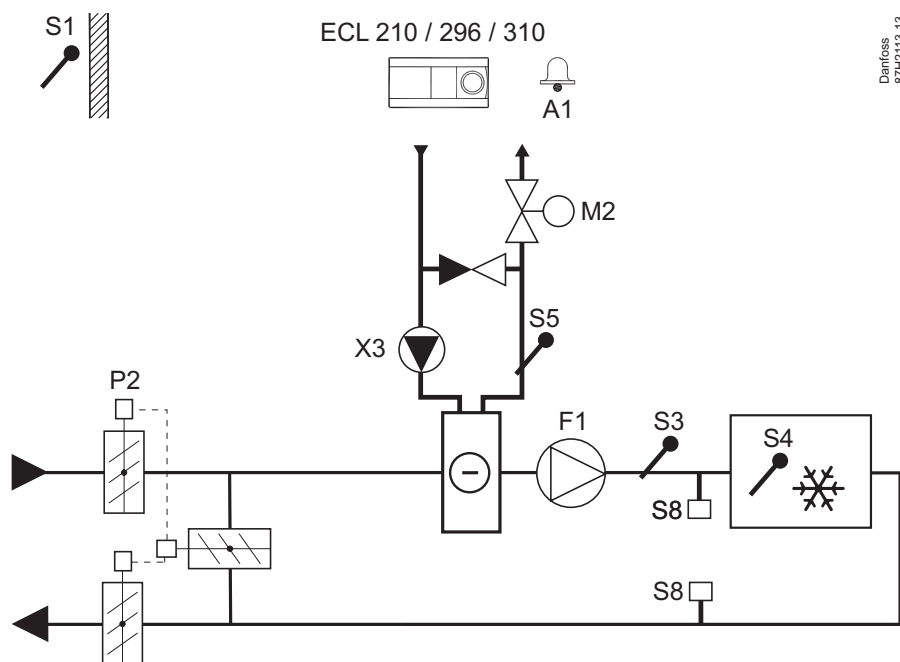


Installation Guide

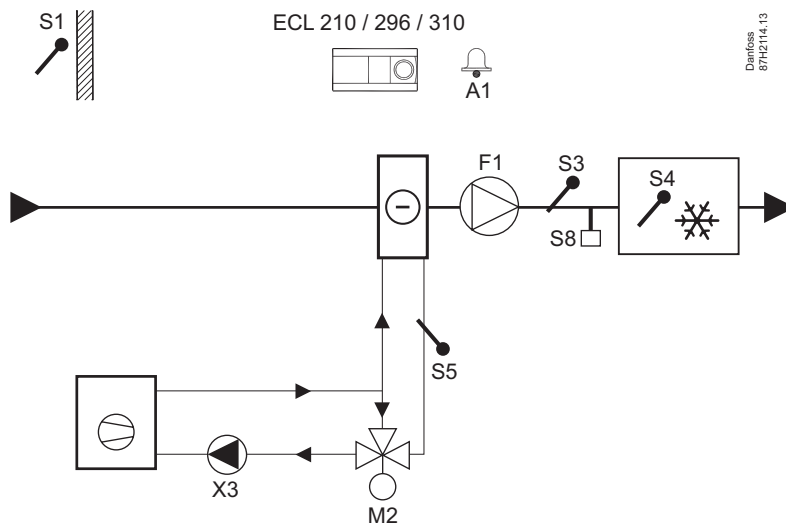
# ECL Comfort 210 / 296 / 310, A214 / A314 (code no. 087H3811)



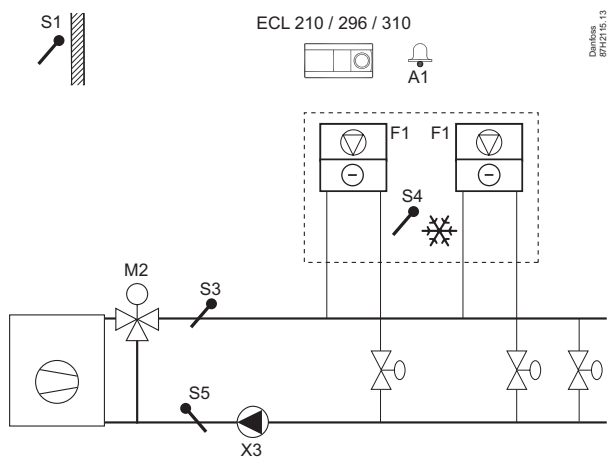
A214.1, ex. a:



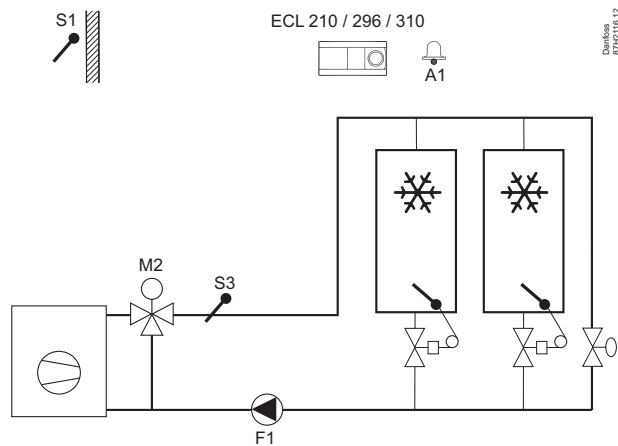
A214.1 (ex. b):



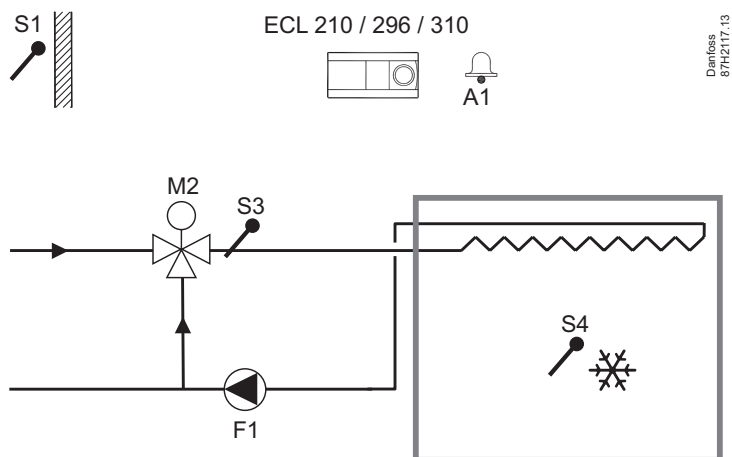
A214.1 (ex. c):



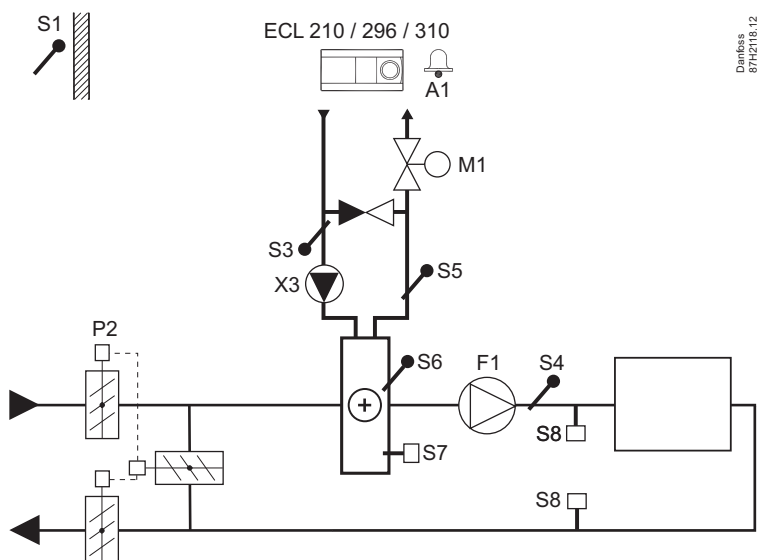
A214.1 (ex. d):



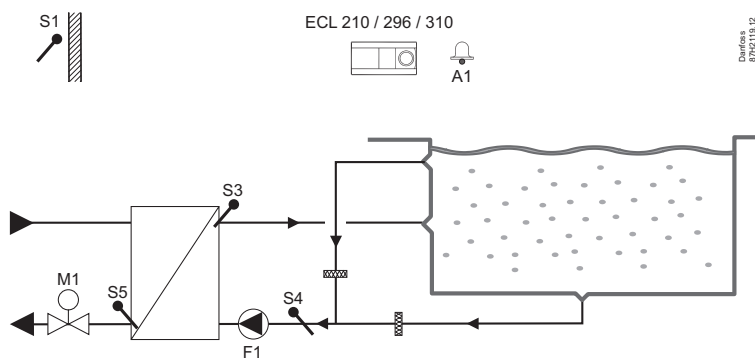
214.1 (ex. e):



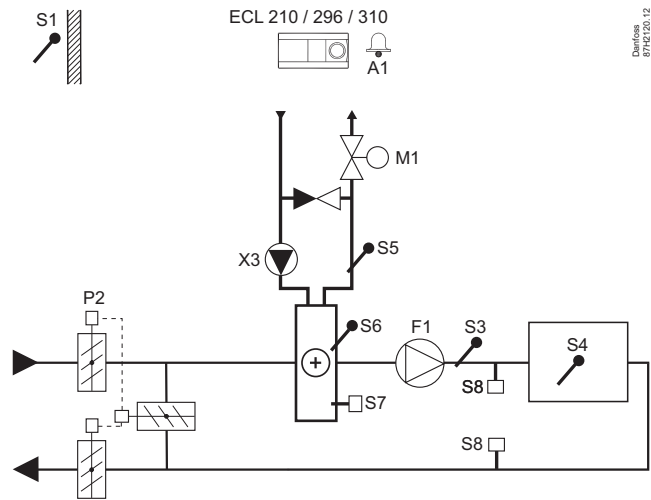
A214.2 (ex. a):



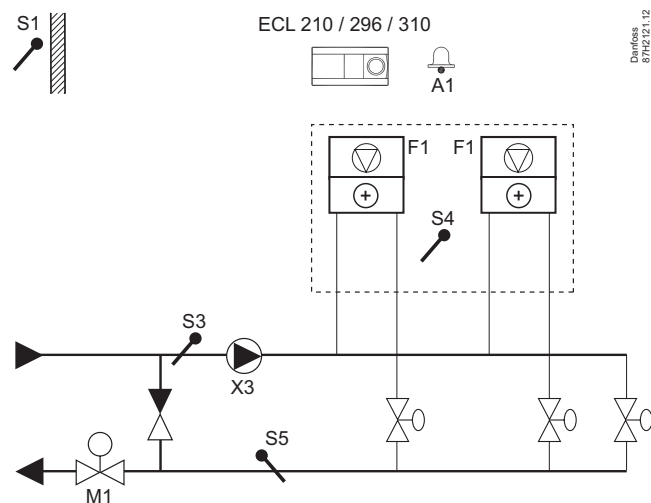
A214.2 (ex. b):



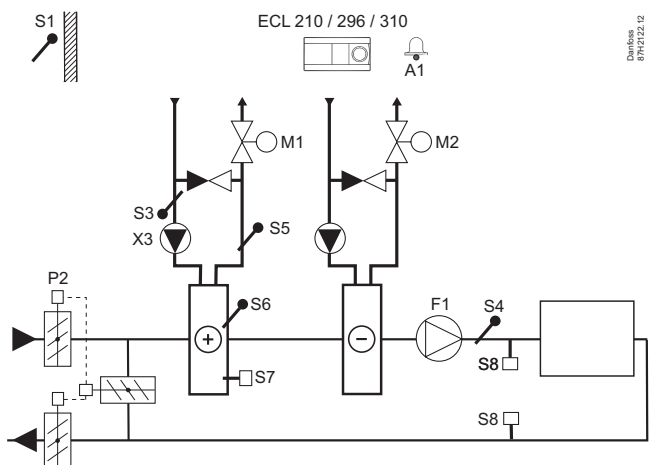
A214.3 (ex. a:)



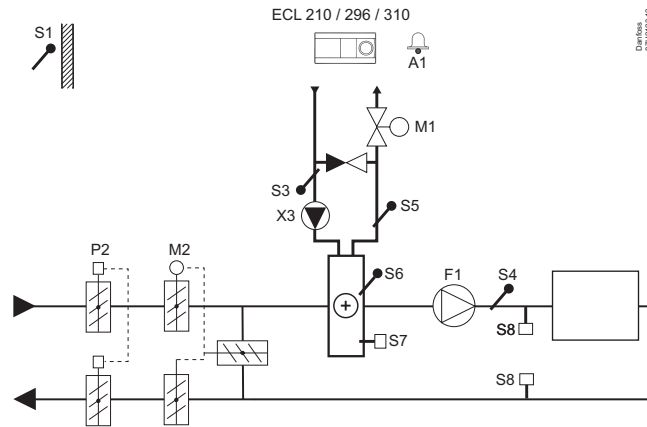
A214.3 (ex. b:)



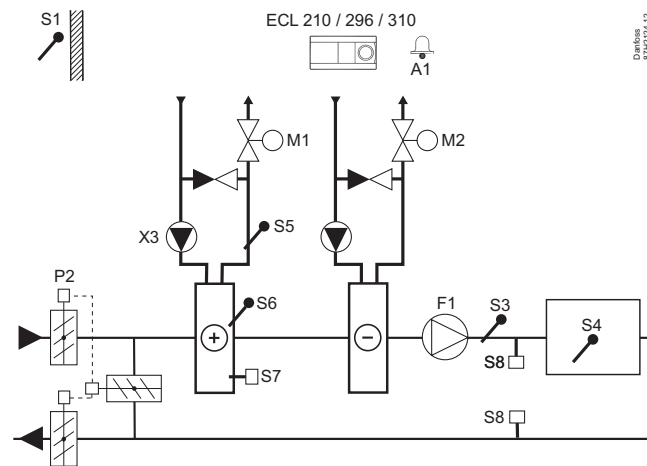
A214.4 (ex. a:)



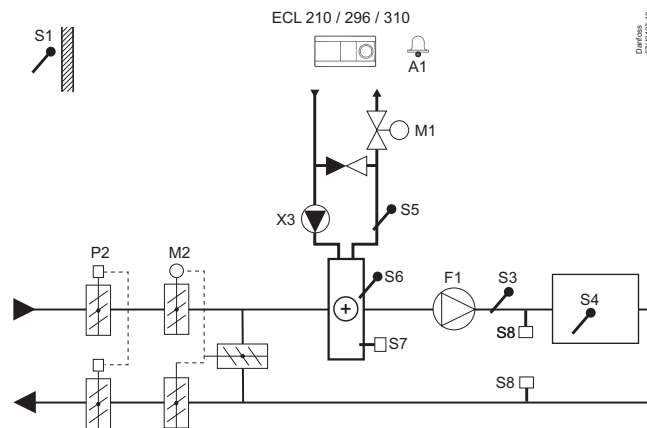
A214.4 (ex. b:)



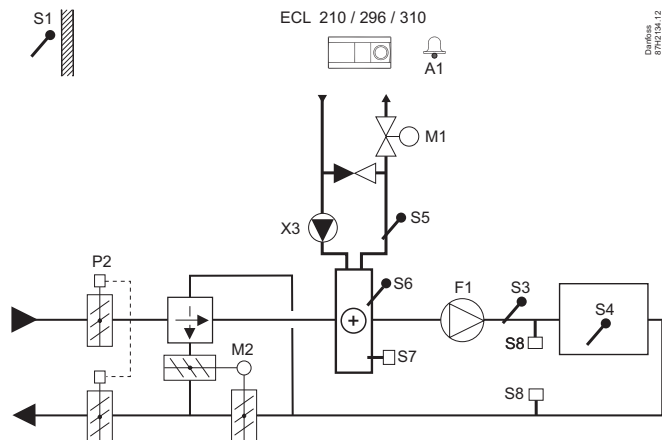
A214.5 (ex. a:)



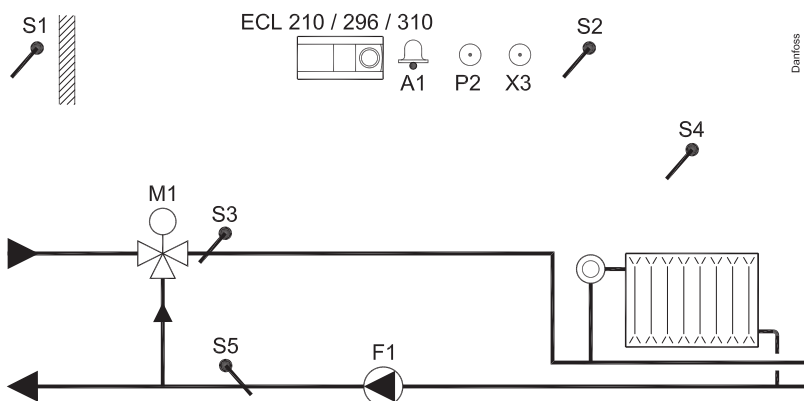
A214.5 (ex. b:)



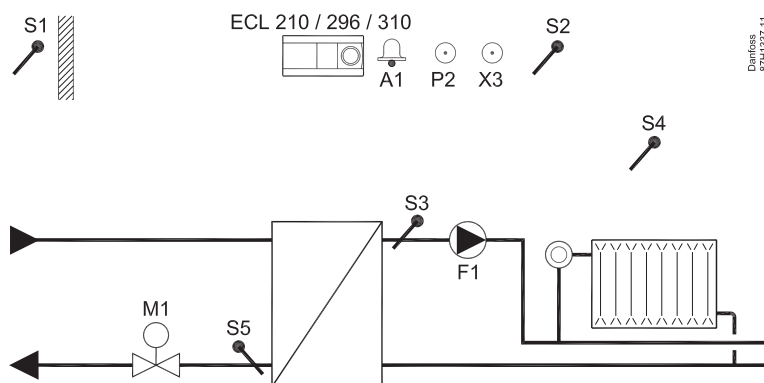
A214.5 (ex. c)



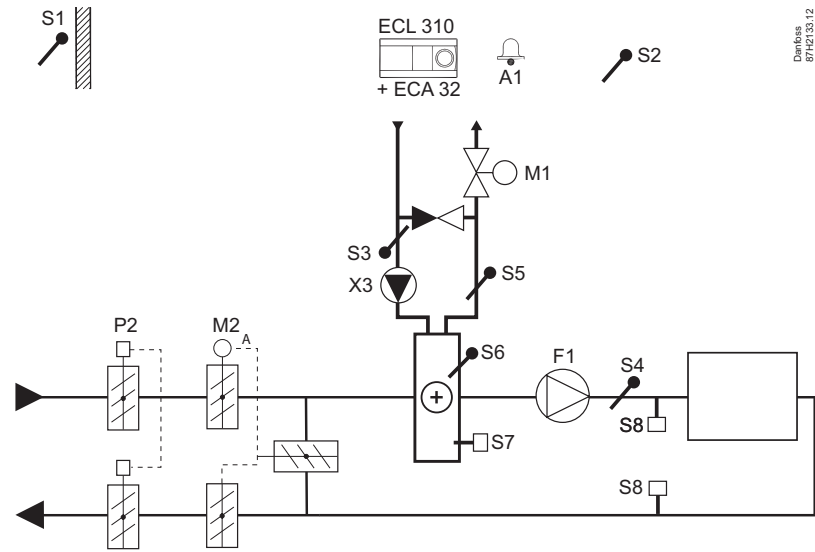
A214.6 (ex. a)



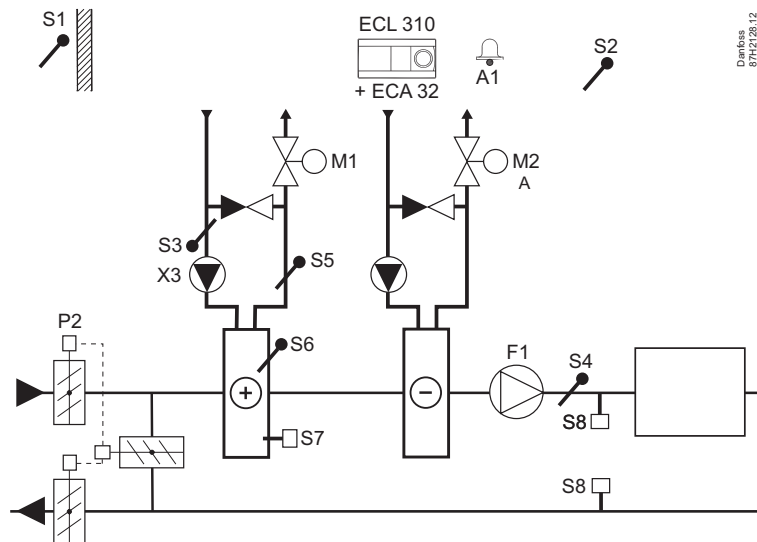
A214.6 (ex. b)



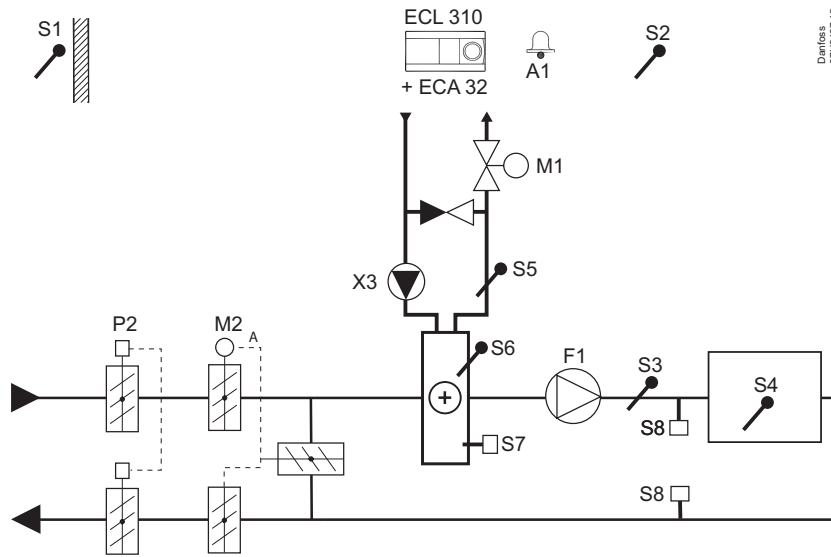
A314.1 (ex. a):



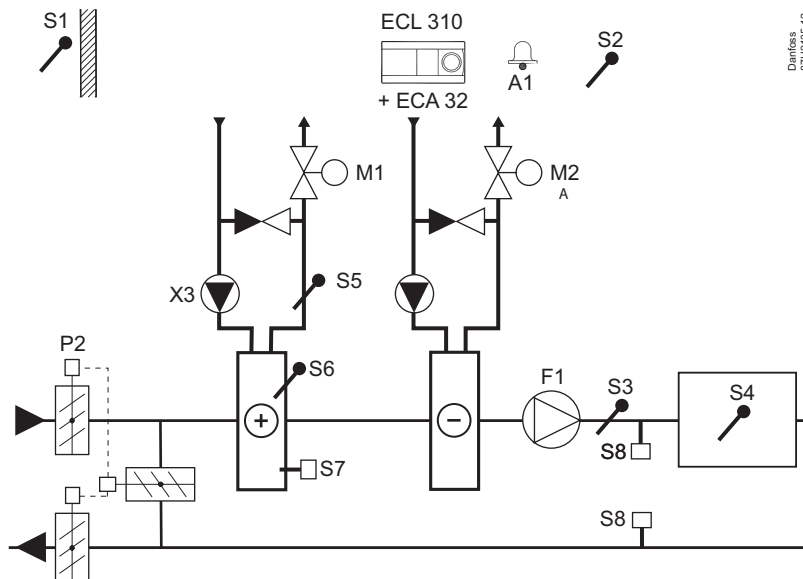
A314.1 (ex. b):



A314.2 (ex. a:)



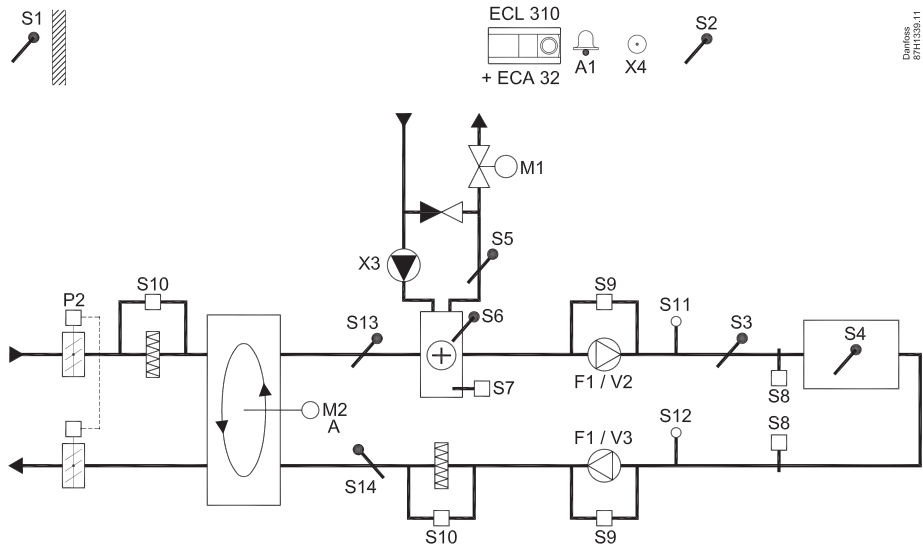
A314.2 (ex. b:)





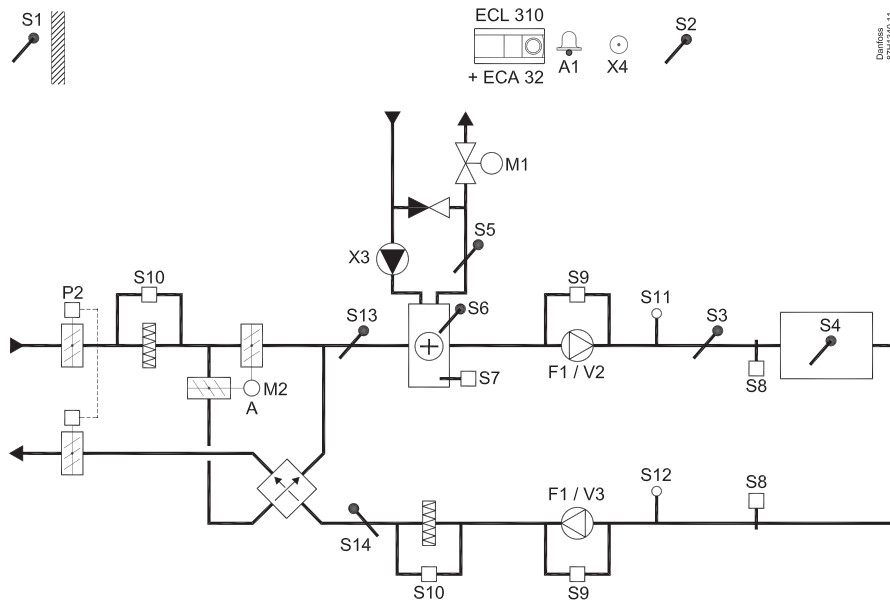


**A314.4 (ex. a):**



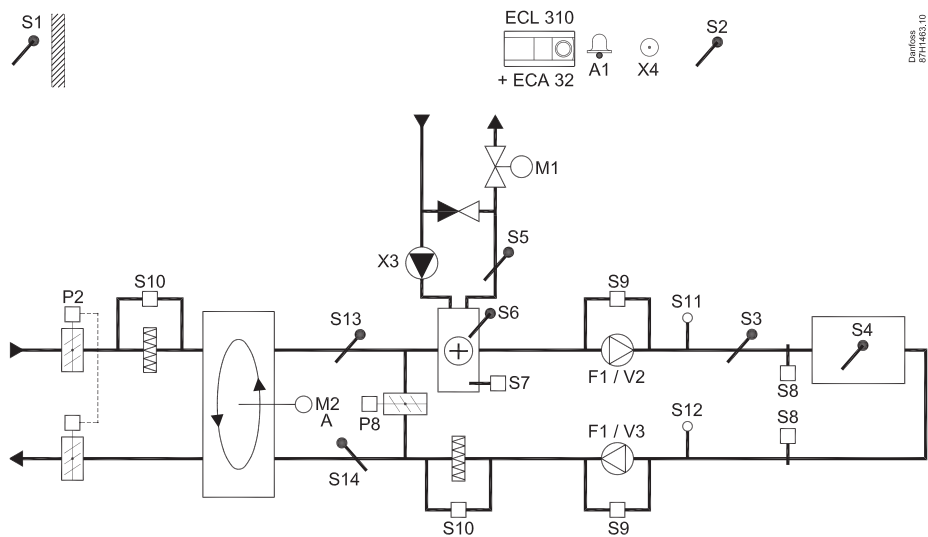
Danfoss  
07H1335.11

**A314.4 (ex. b):**

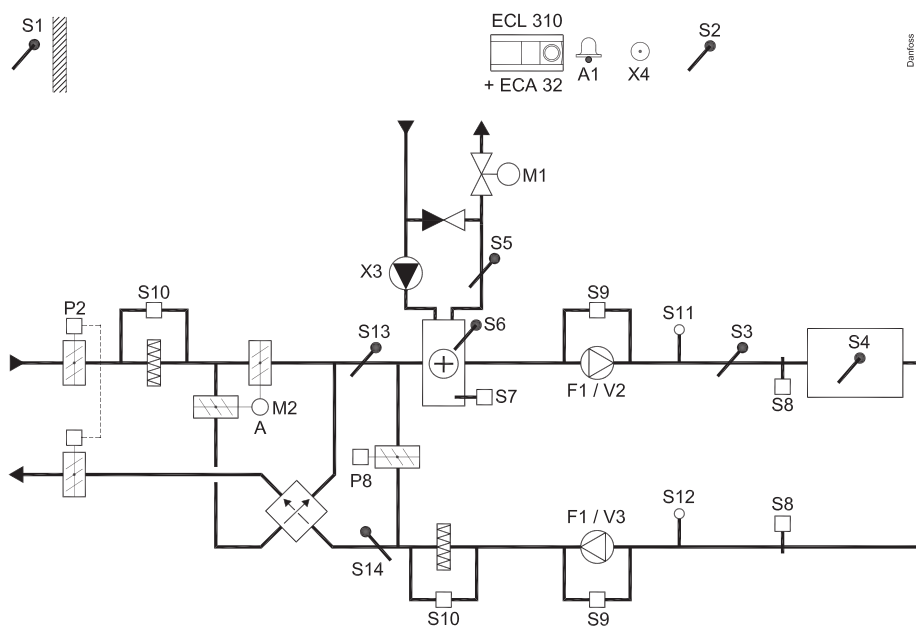


Danfoss  
07H1335.11

A314.4 (ex. c:)

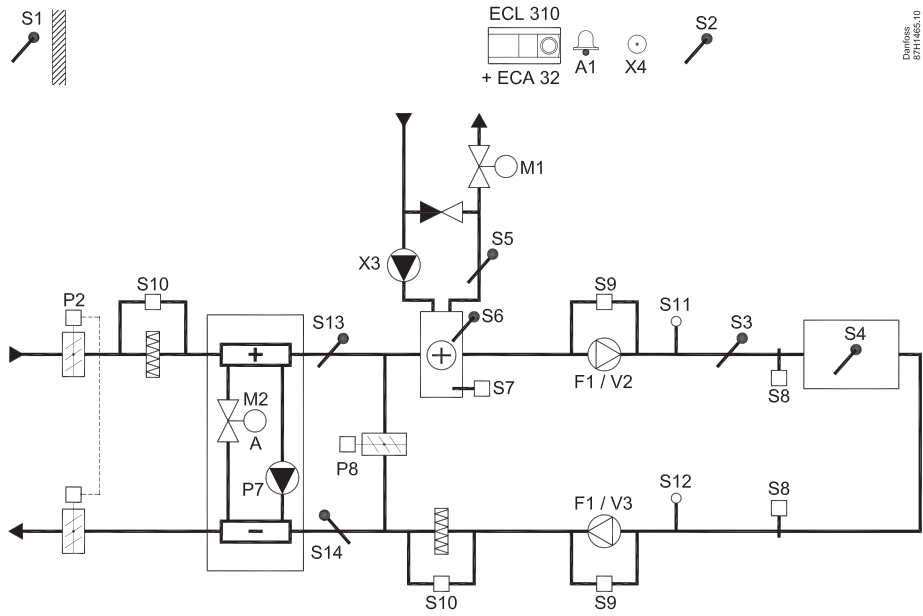


A314.4 (ex. d:)



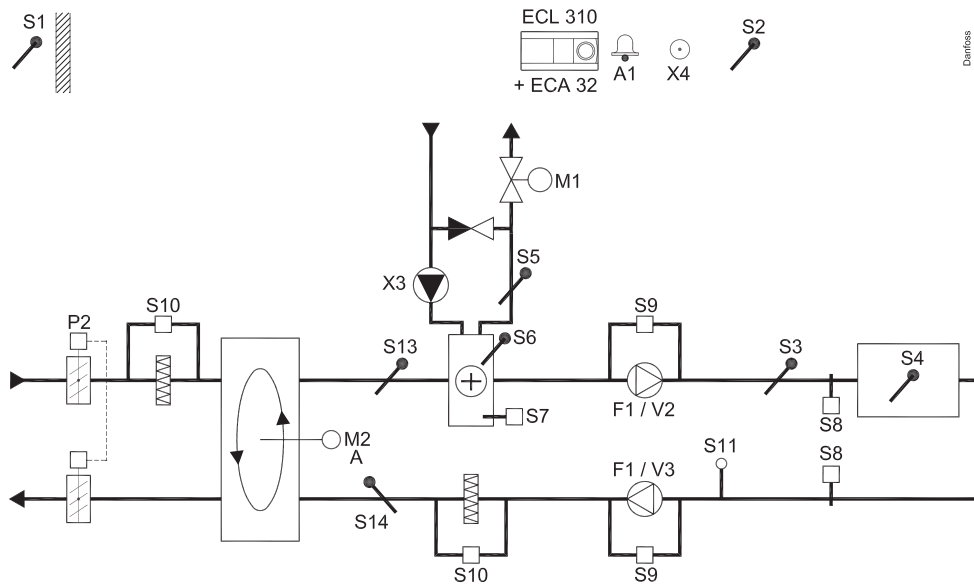
Installation Guide, ECL Comfort 210 / 296 / 310, A214 / A314

A314.4 (ex. e):



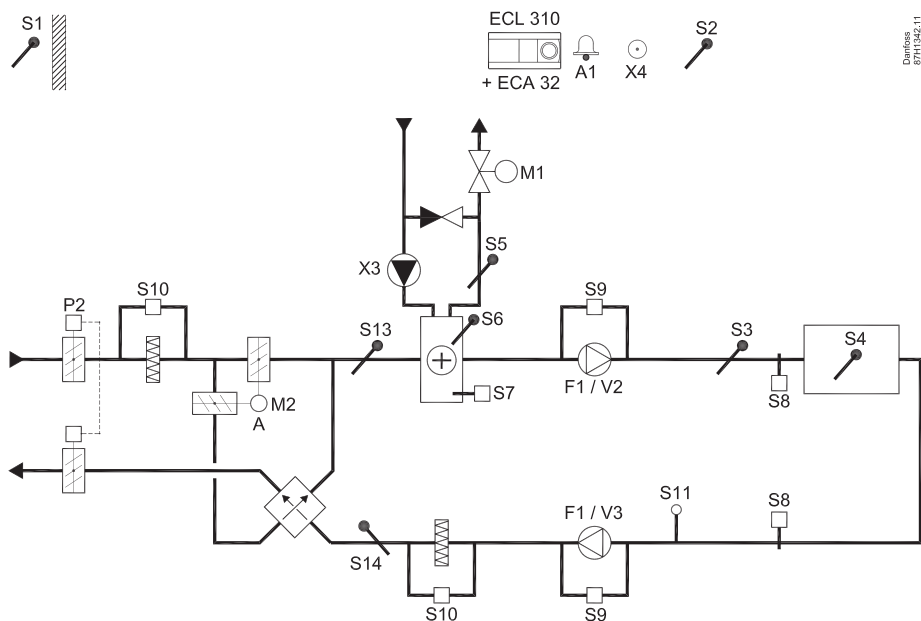
Danfoss  
87H1434.10

A314.5 (ex. a):



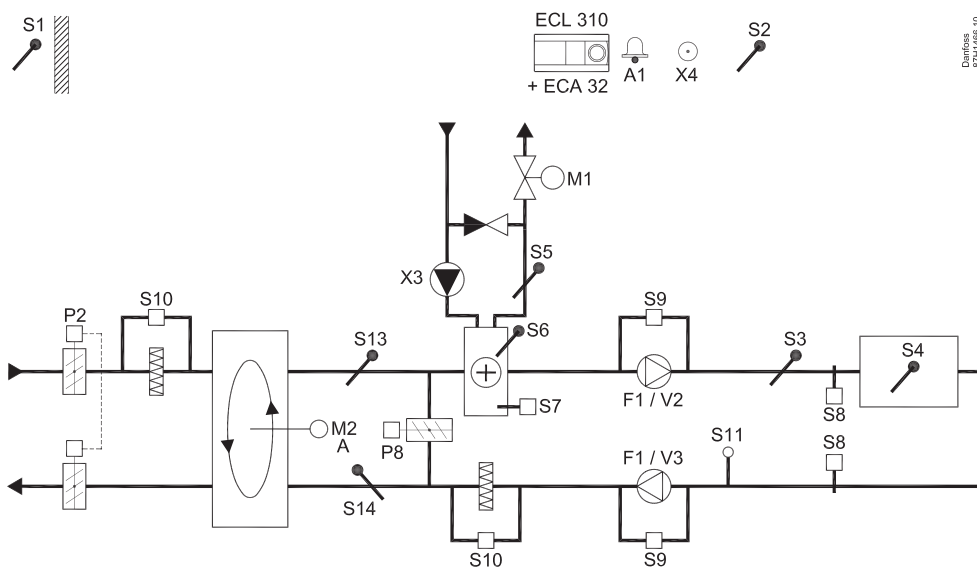
Danfoss  
87H1344.11

A314.5 (ex. b:)



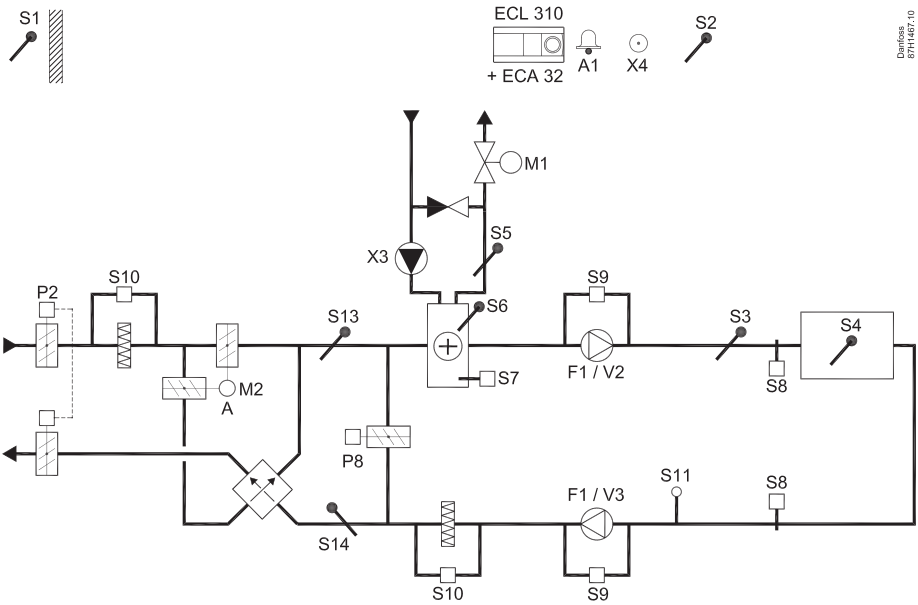
Danfoss  
8711342.11

A314.5 (ex. c:)

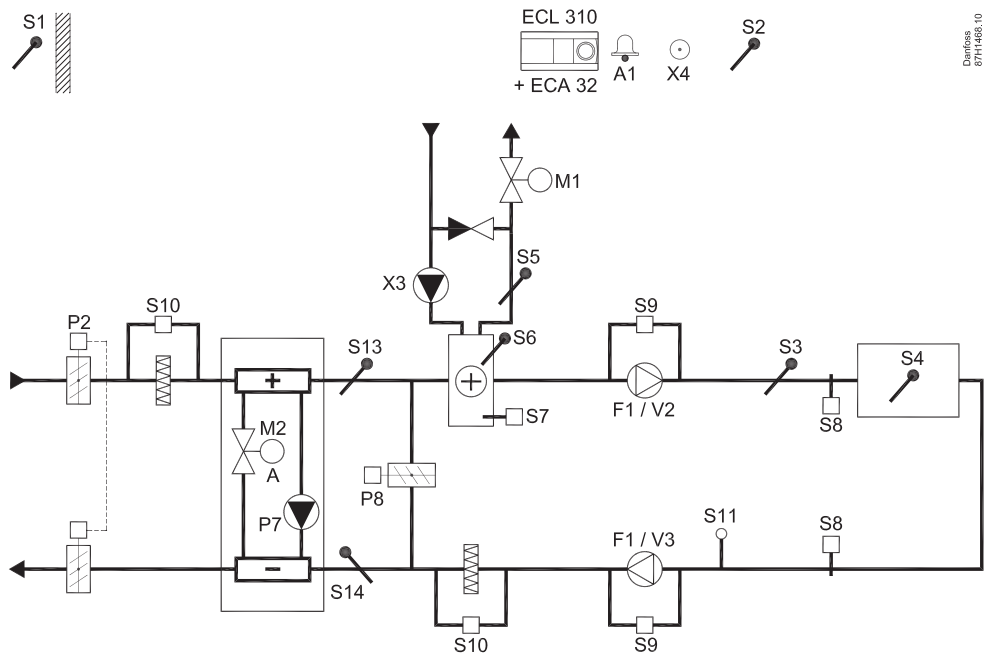


Danfoss  
8711466.10

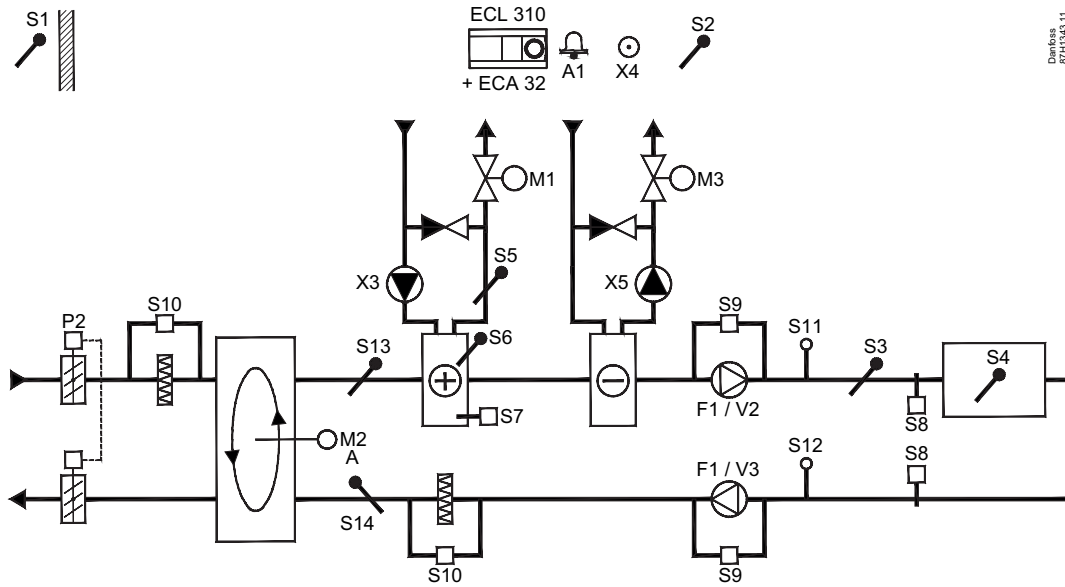
A314.5 (ex. d):



A314.5 (ex. e):

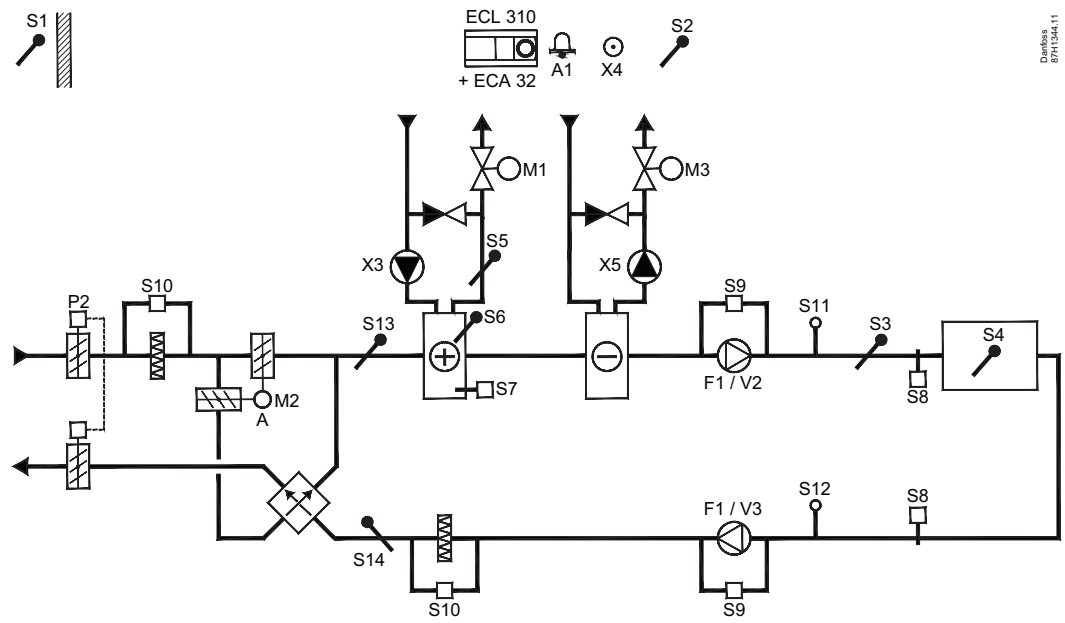


A314.6 (ex. a):



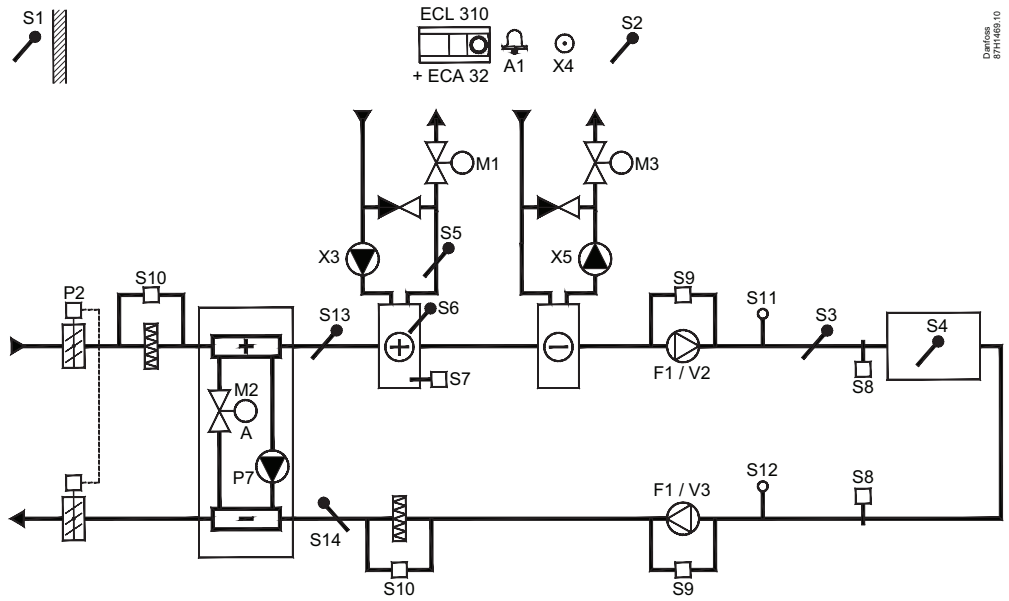
Danfoss 8711343.11

A314.6 (ex. b):



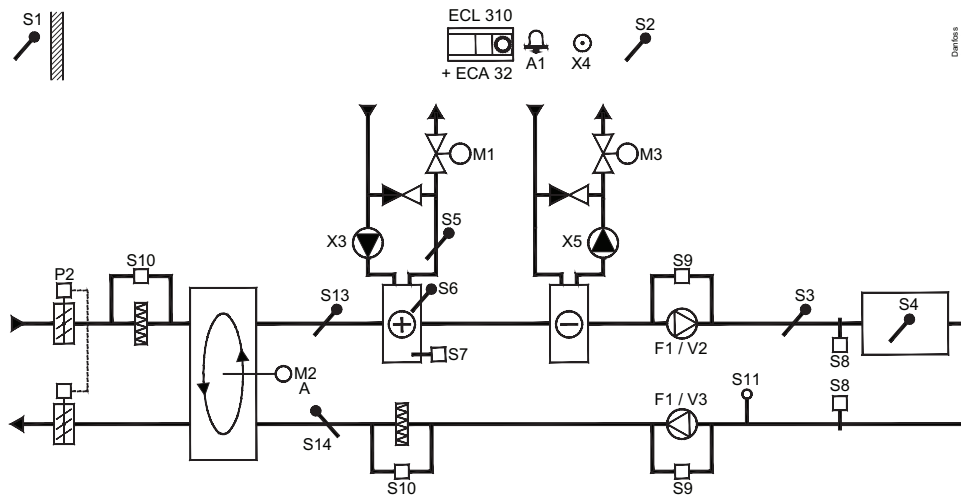
Danfoss 8711344.11

A314.6 (ex. c:)



Danfoss  
8711485:10

A314.7 (ex. a:)

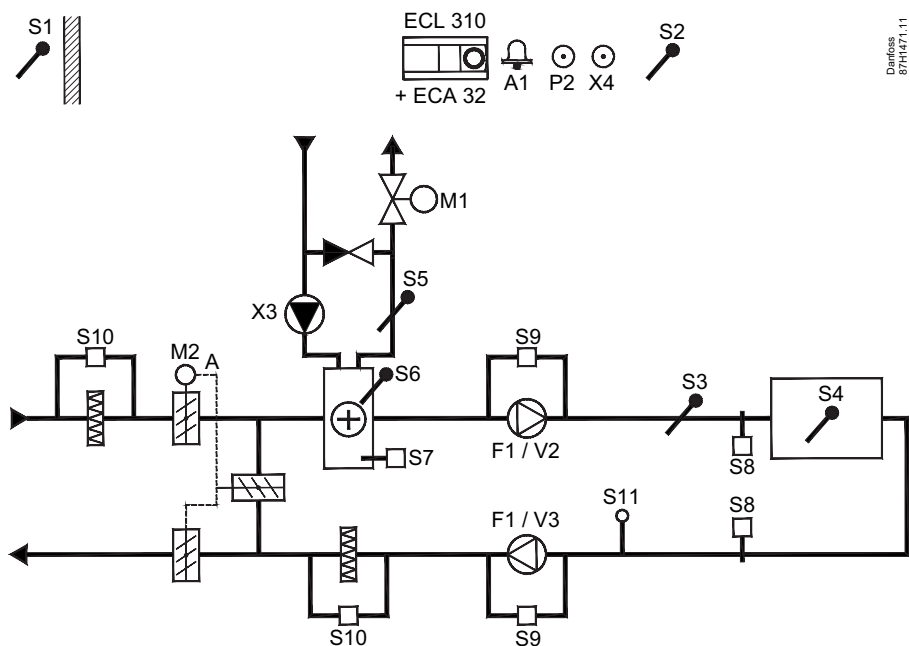


Danfoss  
8711485:11

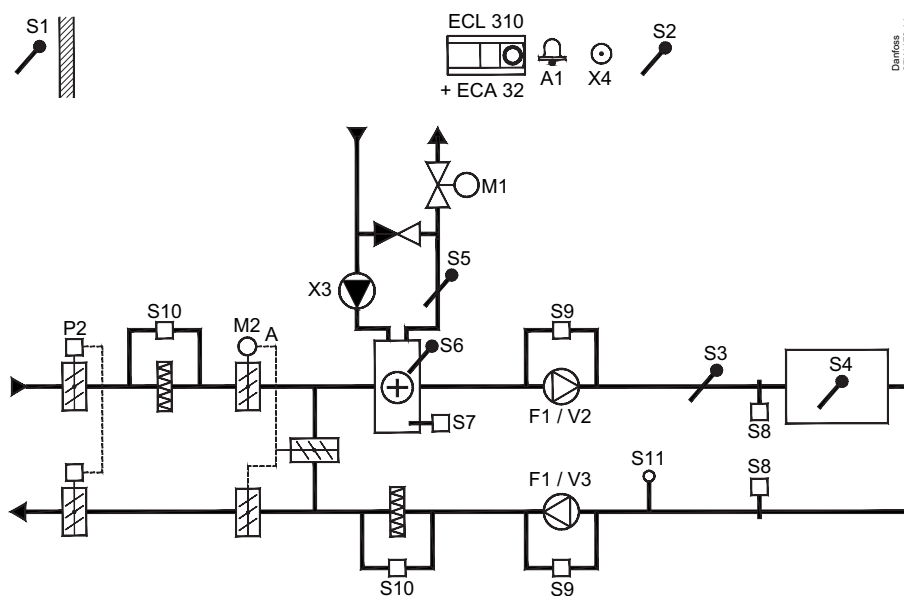




A314.9 (ex. a:)



A314.9 (ex. b:)



230 V a.c., A214

ECL 210 / 310:

	3-point:		
	M1	M2	M3
A214.1		✓	
A214.2	✓		
A214.3	✓		
A214.4	✓	✓	
A214.5	✓	✓	
A214.6	✓		

ECL 310:

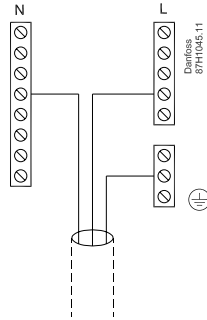
	3-point:				0 - 10 V: (ECA 32)	
	M1	M2	M3		M1	M2
A314.1	✓				✓	
A314.2	✓				✓	
A314.3	✓					
A314.4	✓				✓	
A314.5	✓				✓	
A314.6	✓		✓		✓	
A314.7	✓		✓		✓	
A314.9	✓				✓	

	ECL Comfort 210						
	ECL Comfort 310					ECA 32	
	F1	P2	X3	X4	X5	P7	P8
A214.1	✓	✓	✓				
A214.2	✓	✓	✓				
A214.3	✓	✓	✓				
A214.4	✓	✓	✓				
A214.5	✓	✓	✓				
A214.6	✓	✓	✓				
A314.1	✓	✓	✓				
A314.2	✓	✓	✓				
A314.3	✓	✓	✓				
A314.4	✓	✓	✓	✓		✓	✓
A314.5	✓	✓	✓	✓		✓	✓
A314.6	✓	✓	✓	✓	✓	✓	
A314.7	✓	✓	✓	✓	✓	✓	
A314.9	✓	✓	✓	✓	✓		

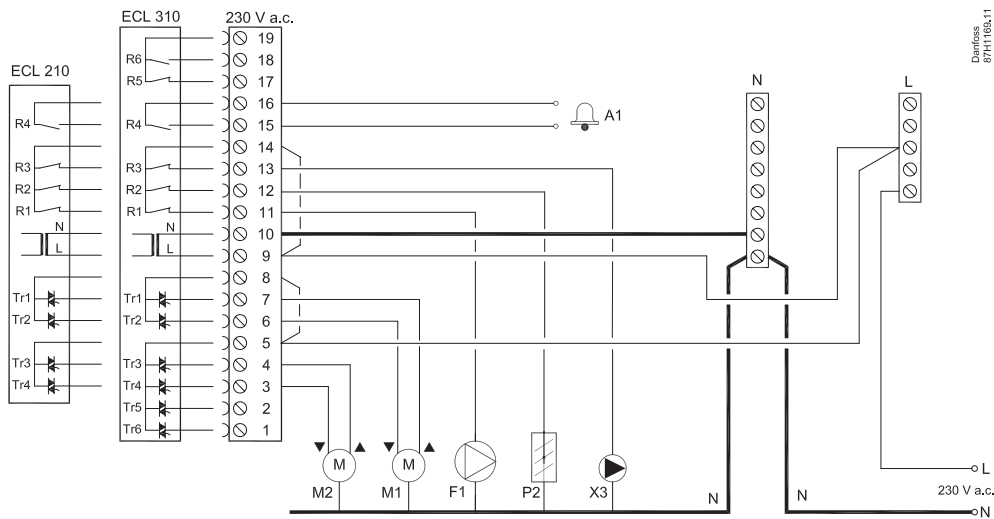
# Installation Guide, ECL Comfort 210 / 296 / 310, A214 / A314

## ECL Comfort 210 / 310: 230 V a.c.

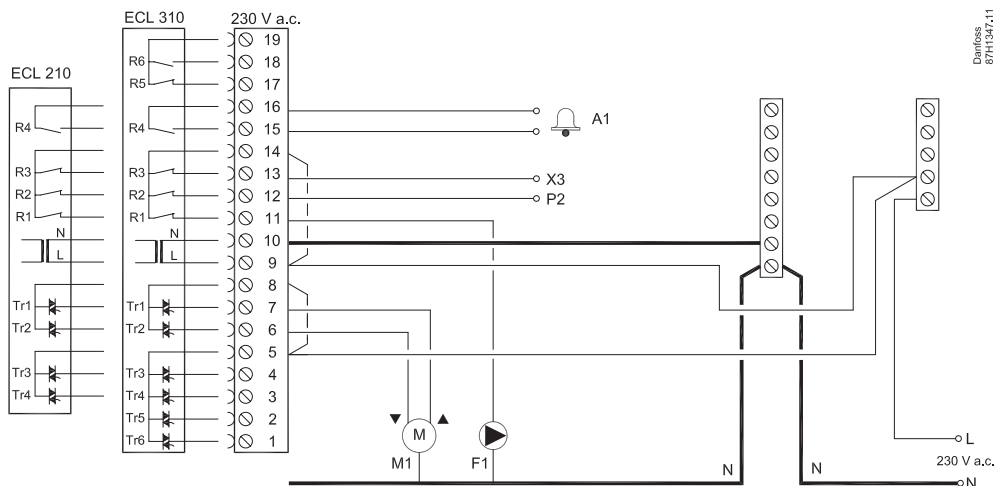
R		4 (2) A / 24 V a.c.
Tr		1 A / 24 V a.c.



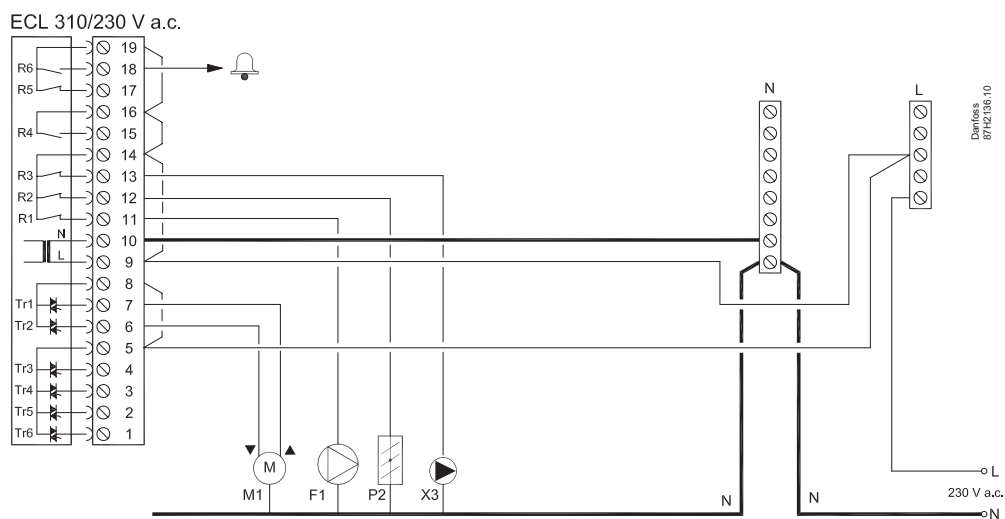
## 230 V a.c., A214



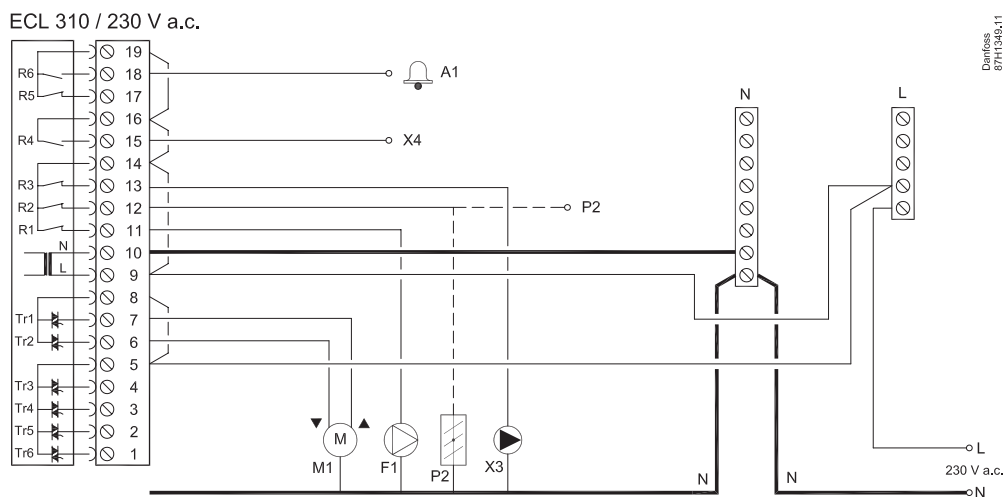
## 230 V a.c. (A214.6)



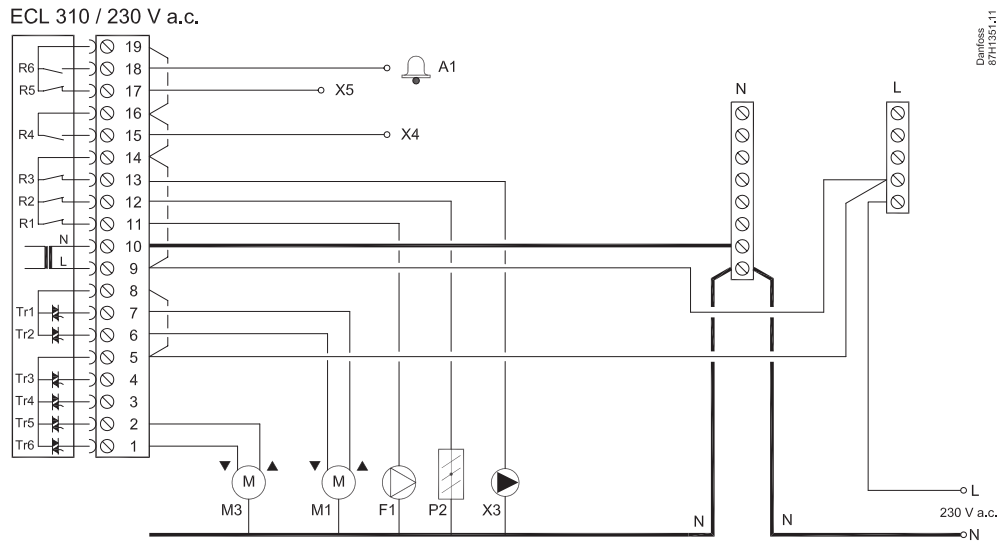
230 V a.c. (A314.1 / A314.2 / A314.3)



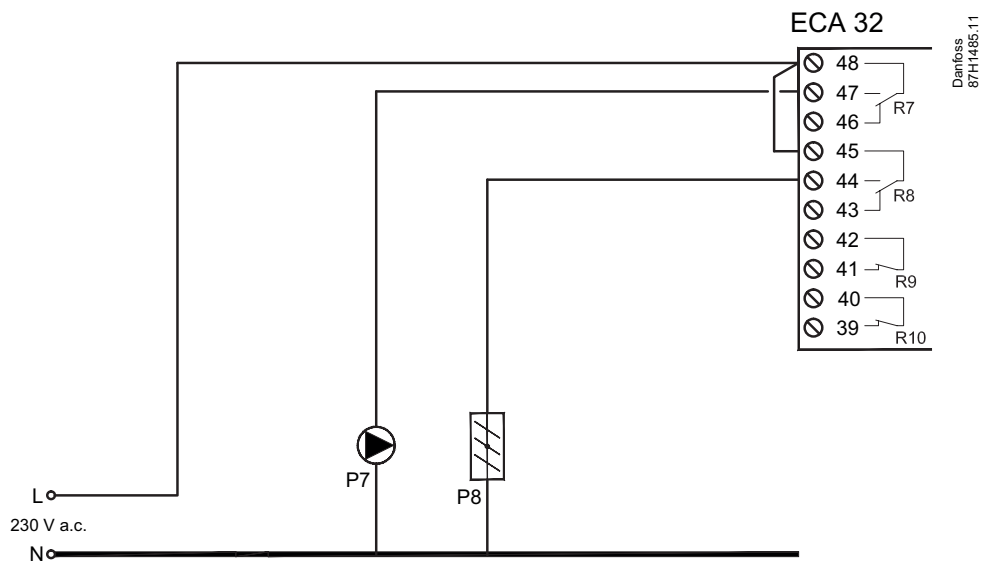
230 V a.c. (A314.4 / A314.5 / A314.9)



230 V a.c. (A314.6 / A314.7)



ECA 32



24 V a.c., A214

ECL 310:

	3-point:		
	M1	M2	M3
A214.1		✓	
A214.2	✓		
A214.3	✓		
A214.4	✓	✓	
A214.5	✓	✓	
A214.6	✓		

ECL 310:

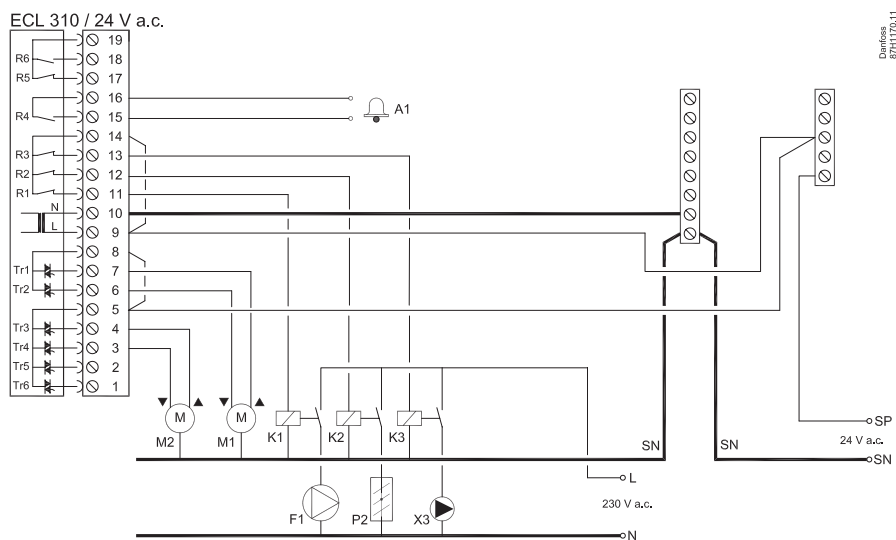
	3-point:				0 - 10 V: (ECA 32)	
	M1	M2	M3		M1	M2
A314.1	✓				✓	
A314.2	✓				✓	
A314.3	✓					
A314.4	✓				✓	
A314.5	✓				✓	
A314.6	✓		✓		✓	
A314.7	✓		✓		✓	
A314.9	✓				✓	

	ECL Comfort 310						ECA 32	
	F1	P2	X3	X4	X5		P7	P8
A214.1	✓	✓	✓					
A214.2	✓	✓	✓					
A214.3	✓	✓	✓					
A214.4	✓	✓	✓					
A214.5	✓	✓	✓					
A214.6	✓	✓	✓					
A314.1	✓	✓	✓					
A314.2	✓	✓	✓					
A314.3	✓	✓	✓					
A314.4	✓	✓	✓	✓		✓	✓	
A314.5	✓	✓	✓	✓		✓	✓	
A314.6	✓	✓	✓	✓	✓	✓		
A314.7	✓	✓	✓	✓	✓	✓		
A314.9	✓	✓	✓	✓	✓			

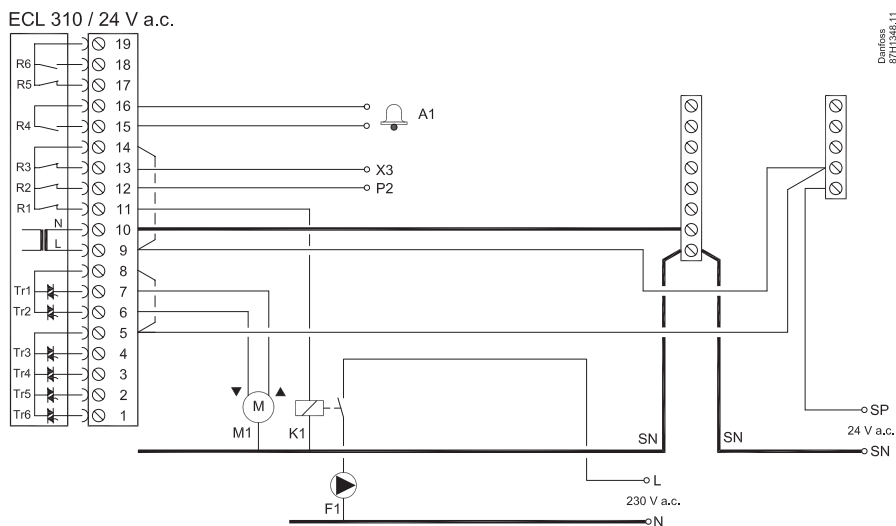
**ECL Comfort 210 / 310:  
24 V a.c.**

R		4 (2) A / 24 V a.c.
Tr		1 A / 24 V a.c.

**24 V a.c., A214**

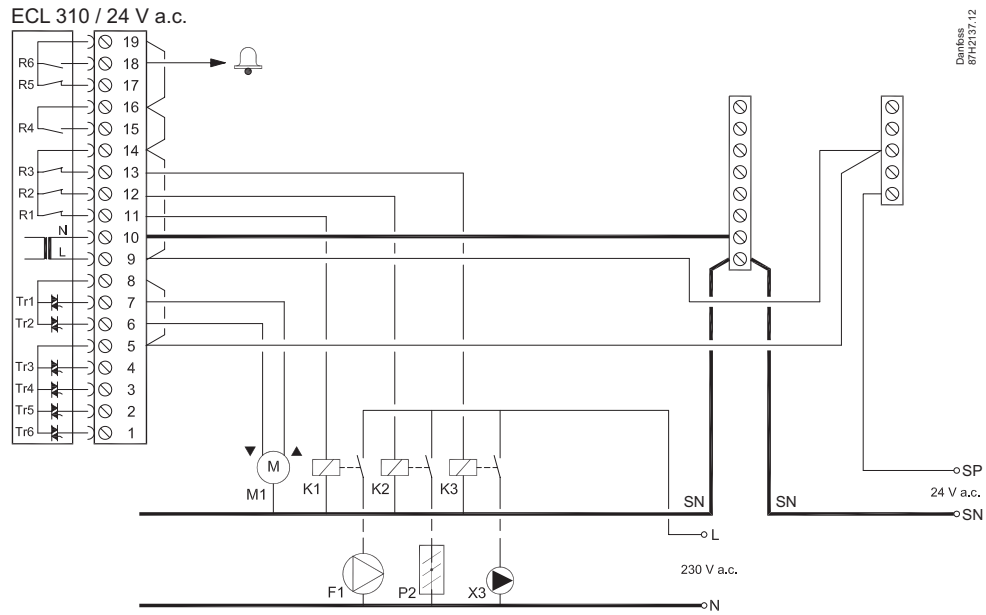


**24 V a.c. (A214.6)**

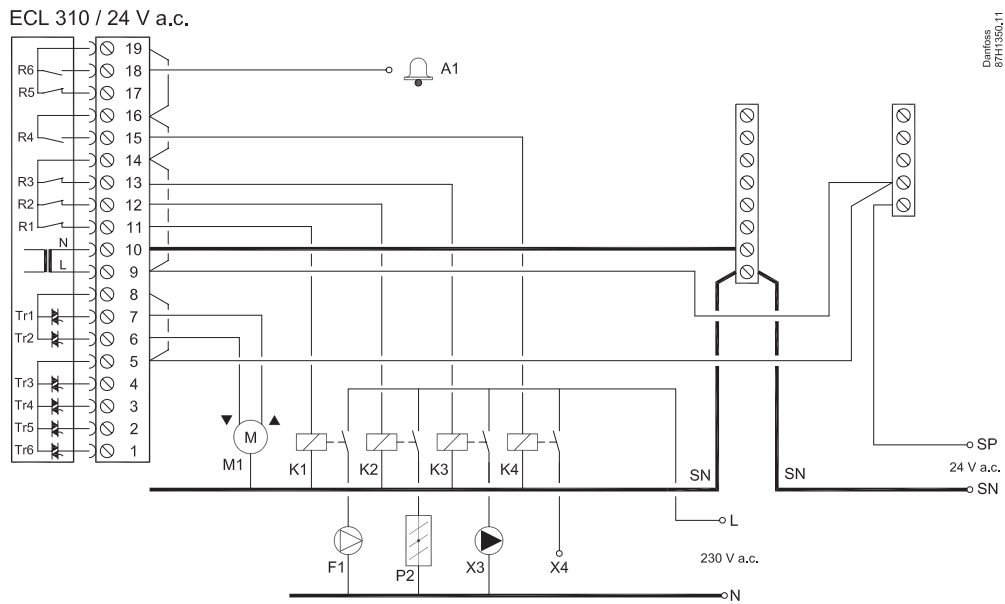




24 V a.c. (A314.1 / A314.2 / A314.3)

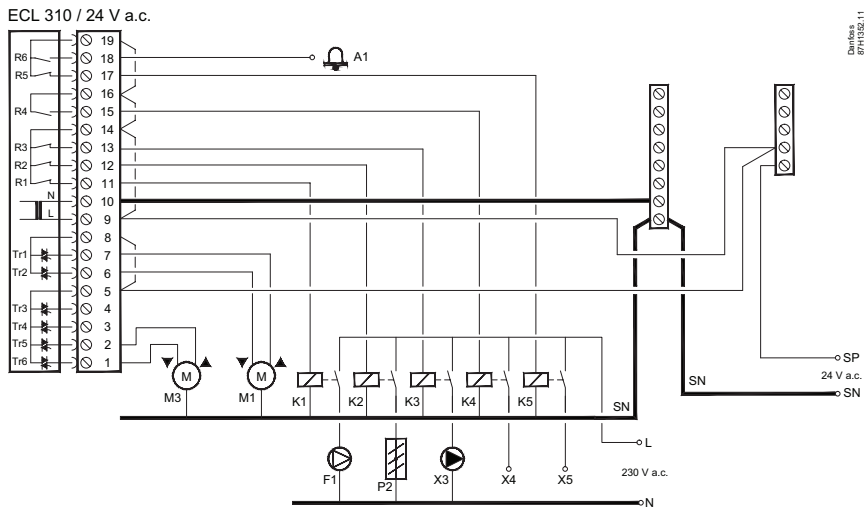


24 V a.c. (A314.4 / A314.5 / A314.9)

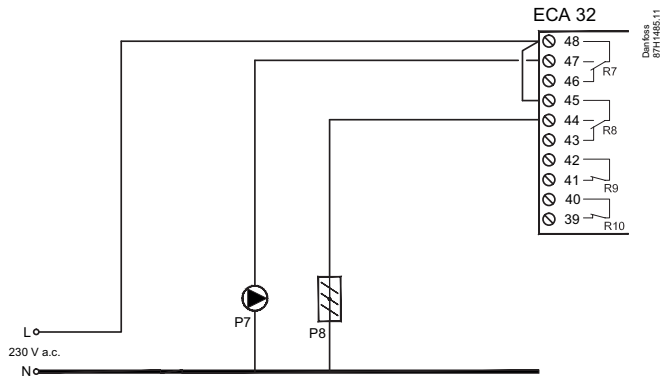


# Installation Guide, ECL Comfort 210 / 296 / 310, A214 / A314

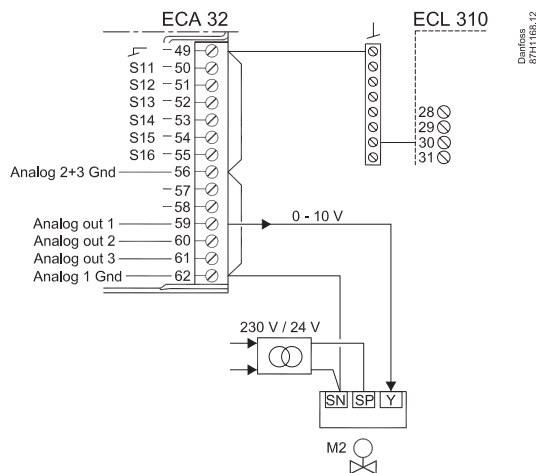
## 24 V a.c. (A314.6 / A314.7)



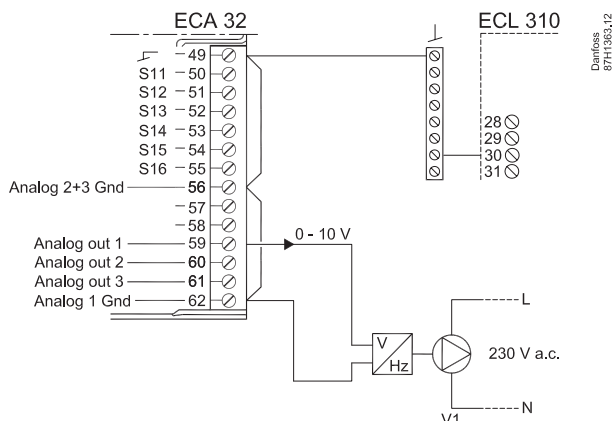
## ECA 32



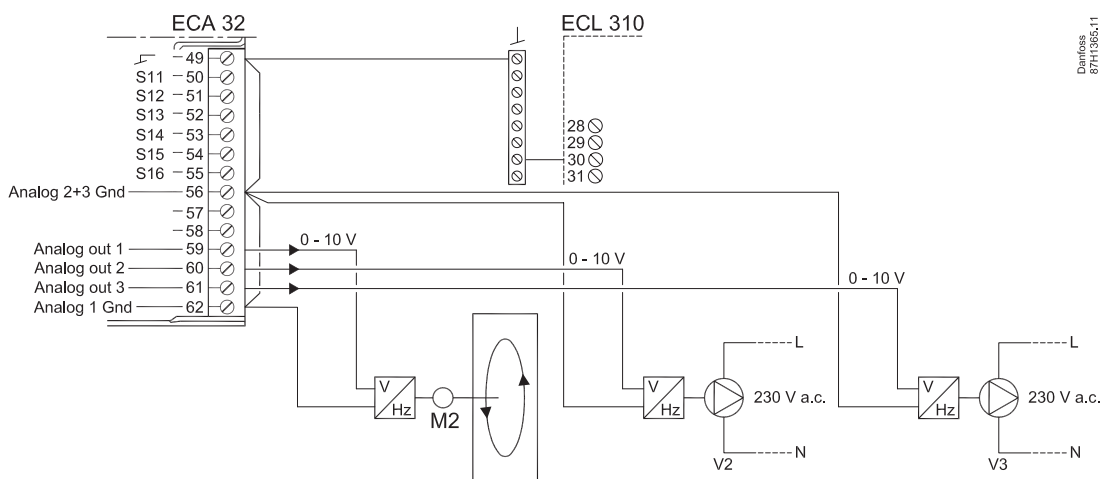
## ECA 32 (A314.1 / A314.2)



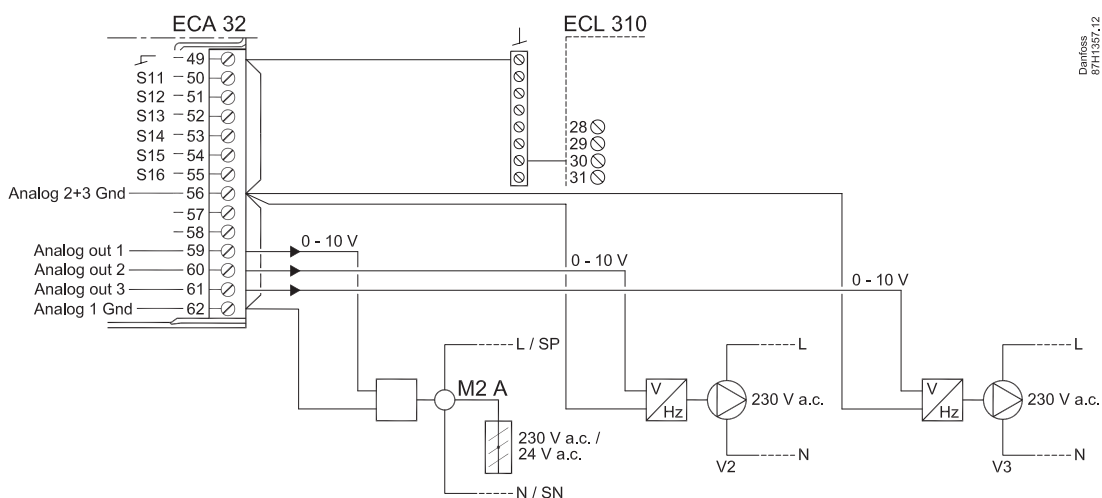
**ECA 32 (A314.3)**



**ECA 32 (A314.4, ex. a / A314.5, ex. a / A314.6, ex. a / A314.7, ex. a)**

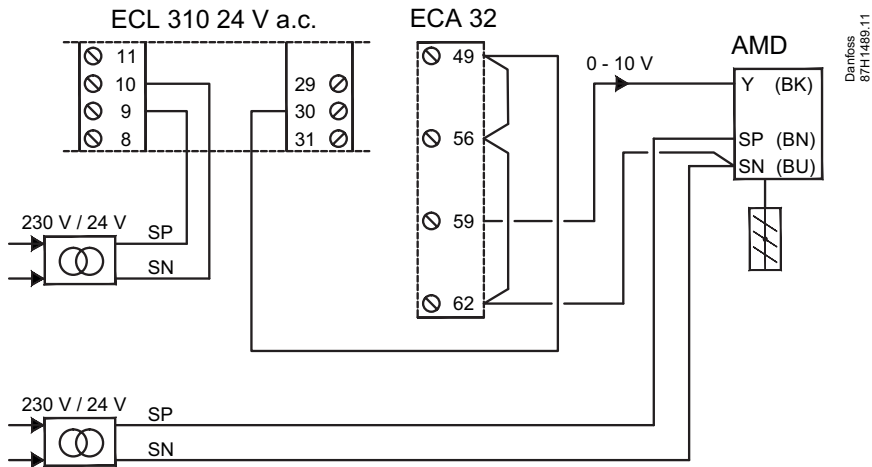


**ECA 32 (A314.4, ex. a / A314.5, ex. a / A314.6, ex. a / A314.7, ex. a / A314.9, ex. a + b)**

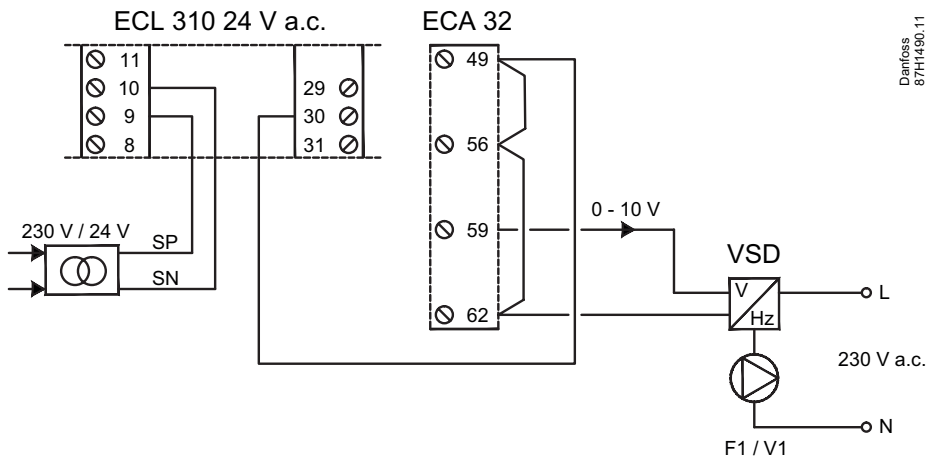


L - N: 230 V a.c. / SP - SN: 24 V a.c.

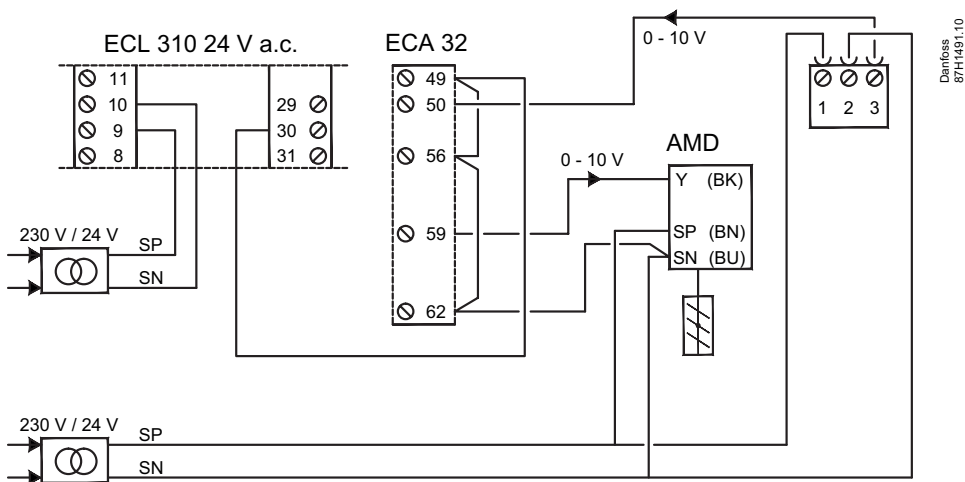
**Example:**



**Example:**

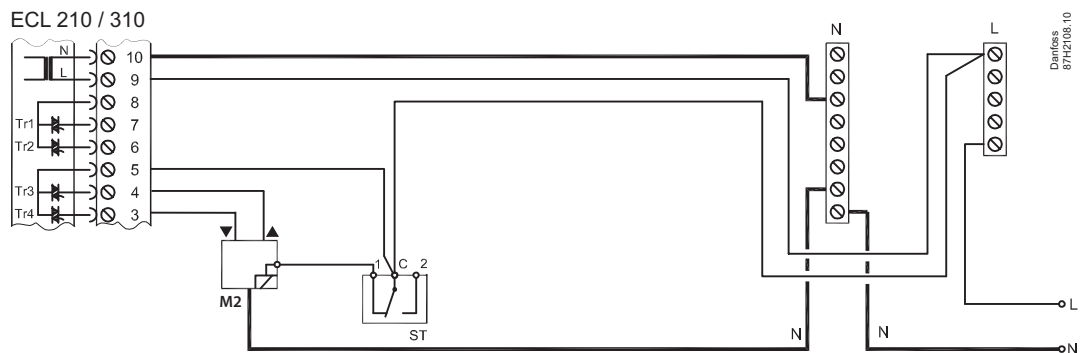
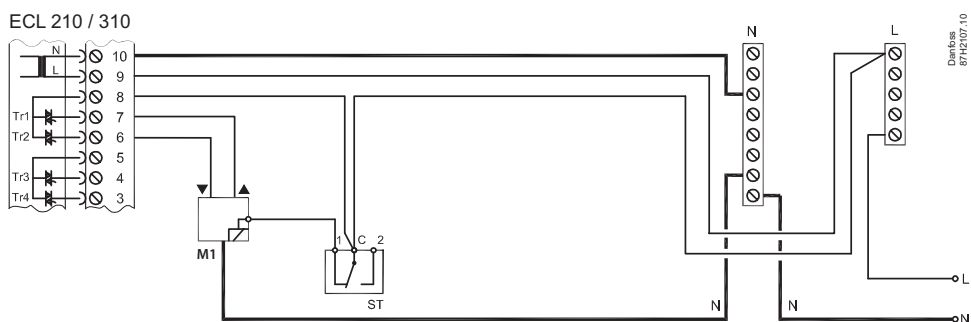
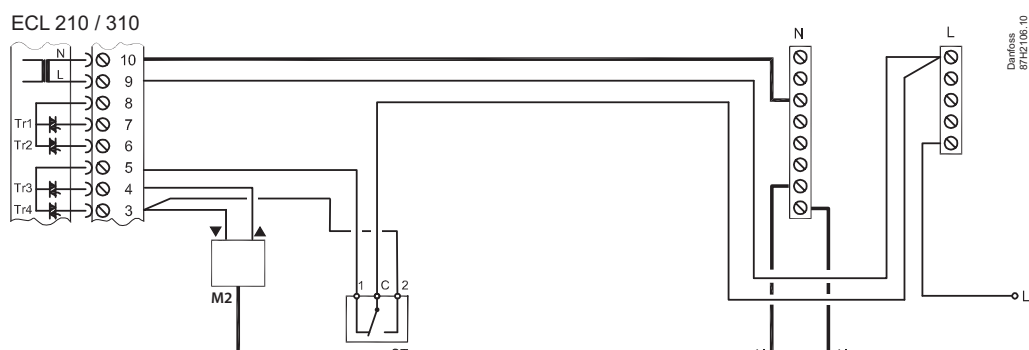
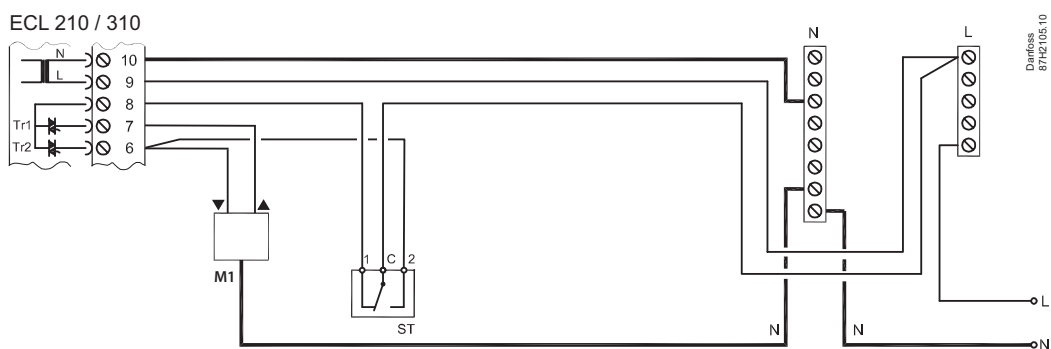


**Example:**



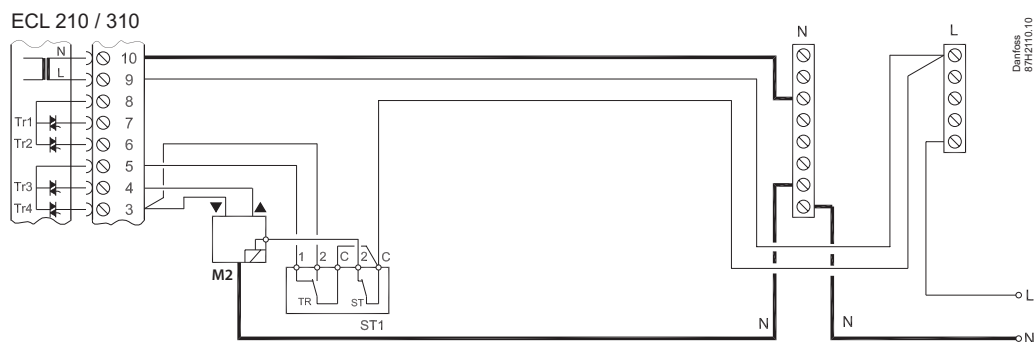
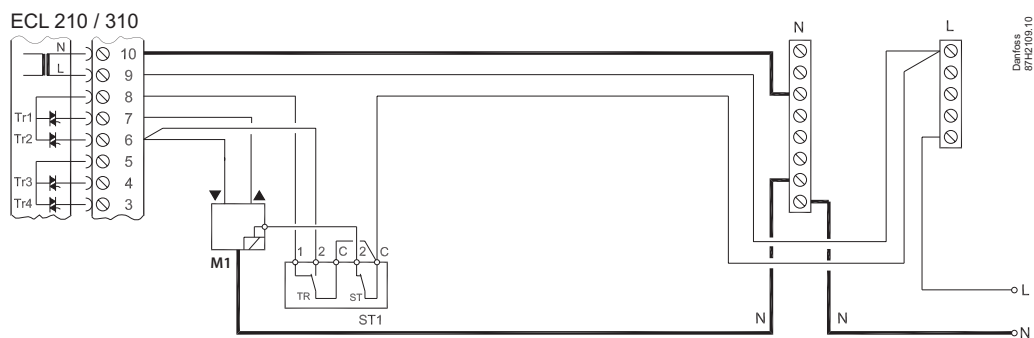
230 V a.c. / 24 V a.c. , safety thermostat

1-step closing



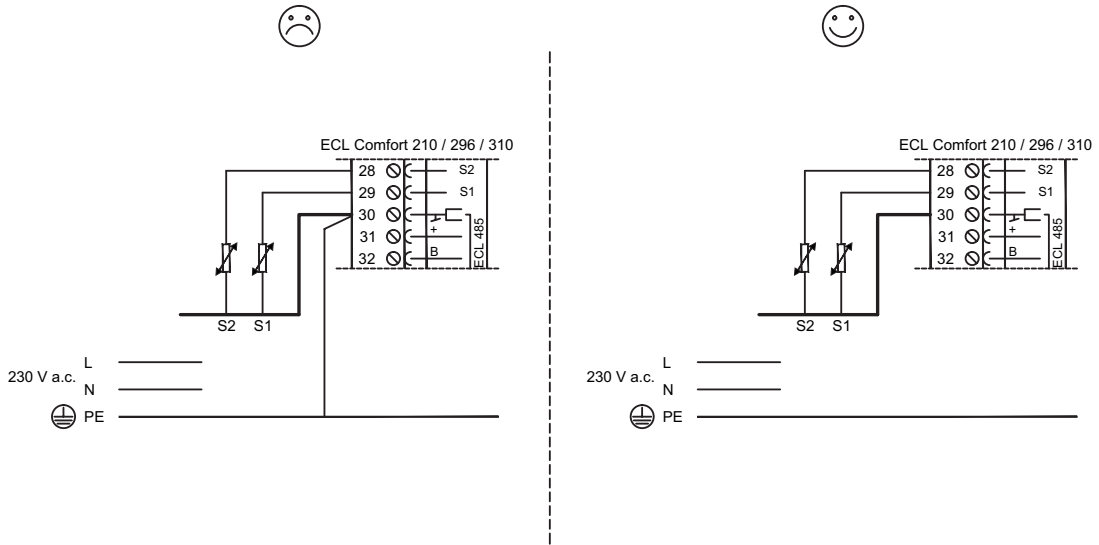
230 V a.c. / 24 V a.c. , safety thermostat

2-step closing

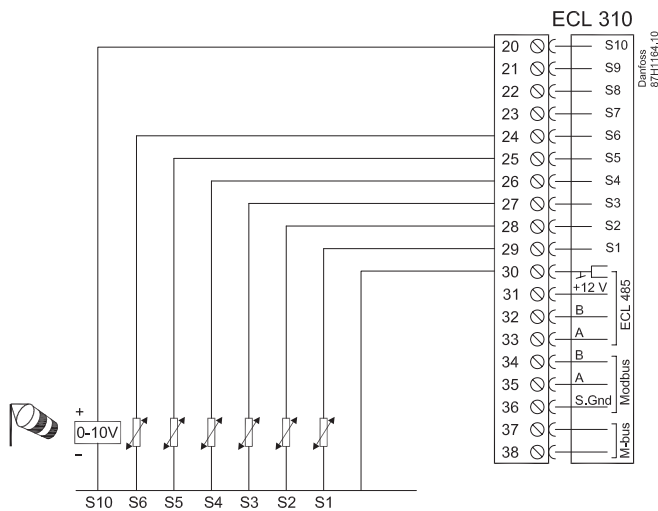
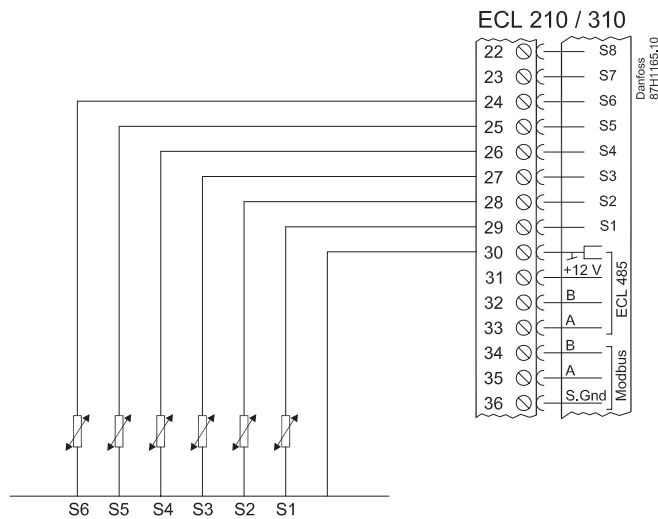


Installation Guide, ECL Comfort 210 / 296 / 310, A214 / A314

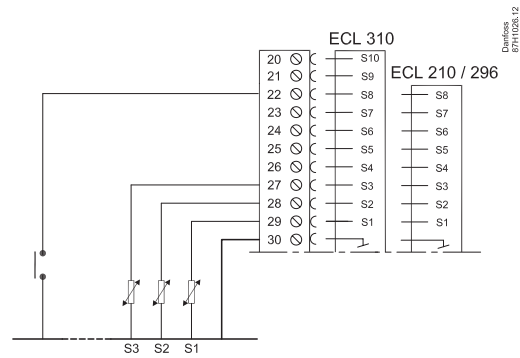
**Pt 1000** (1000 Ω / 0 °C)



Danfoss  
87H1487.11

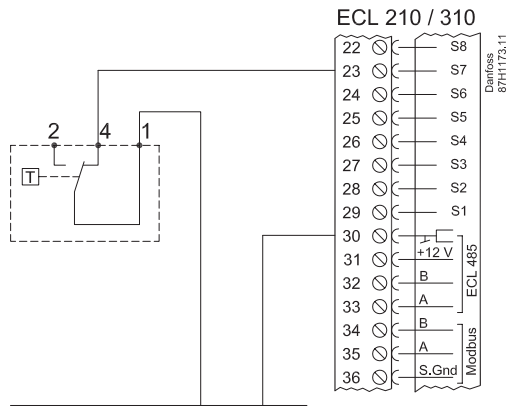


A214

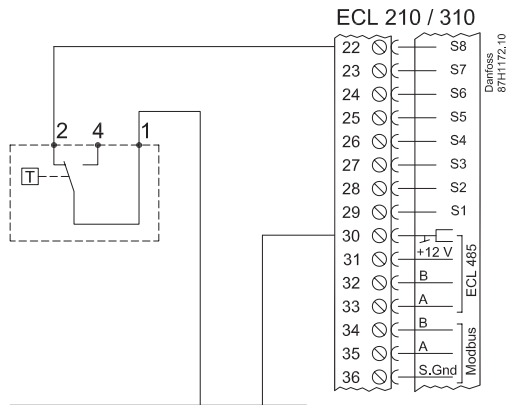




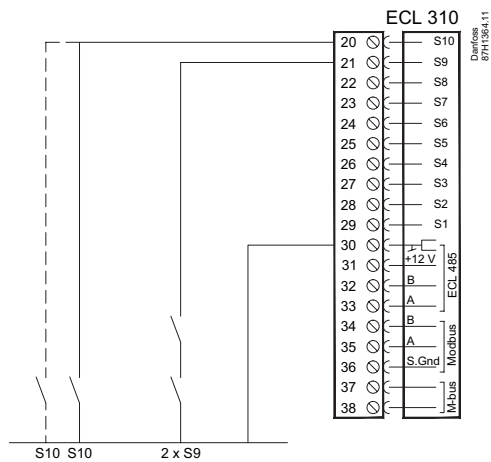
S7



S8

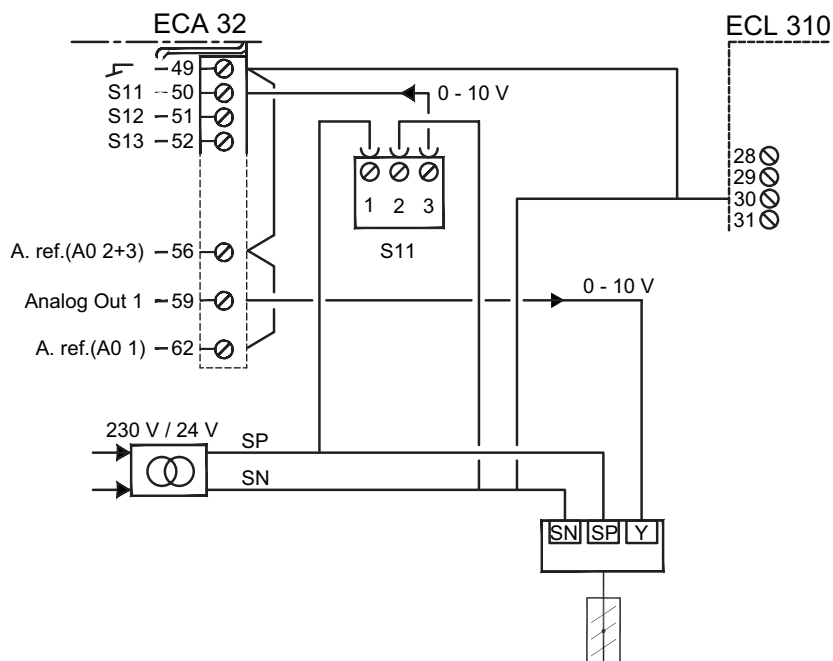


S9 / S10



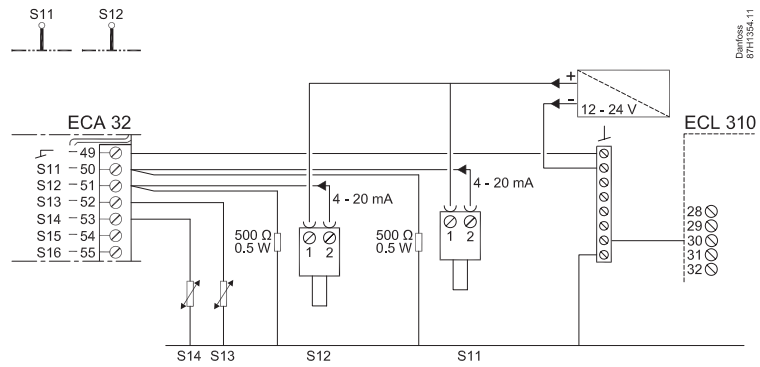
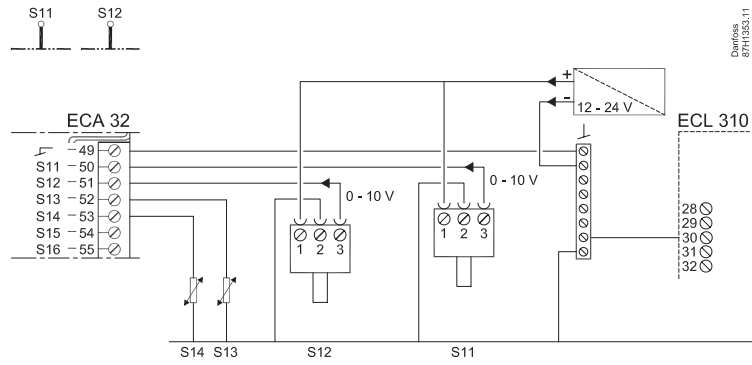
ECA 32

	S11	S12	S13	S14
A314.4	✓	✓	✓	✓
A314.5	✓		✓	✓
A314.6	✓	✓	✓	✓
A314.7	✓		✓	✓
A314.9	✓			

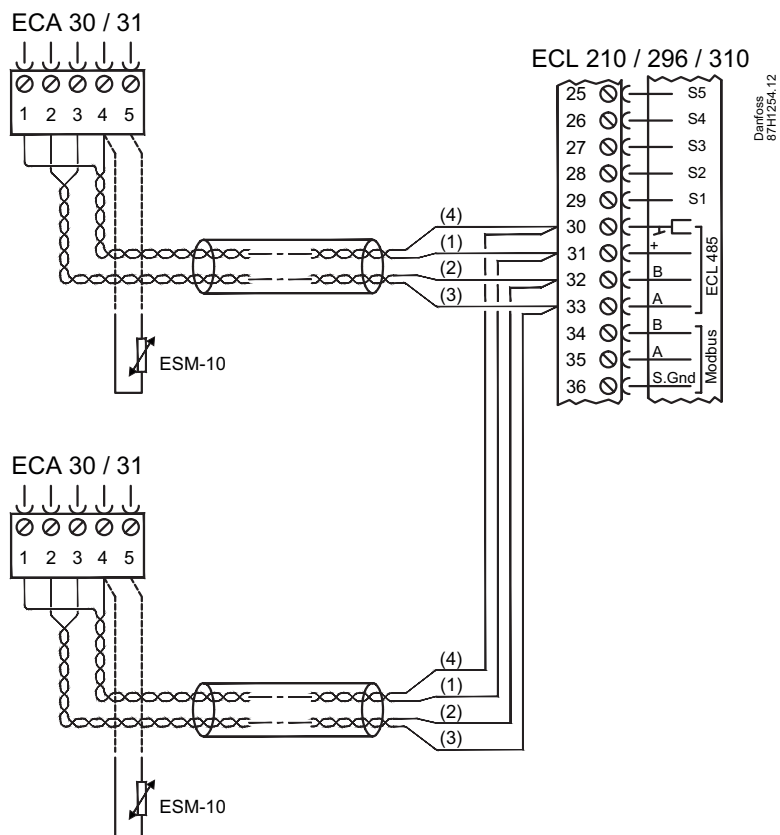
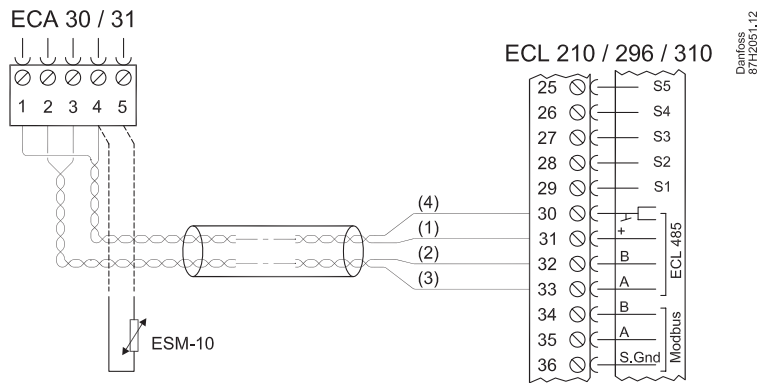


Danfoss  
87H1560.10

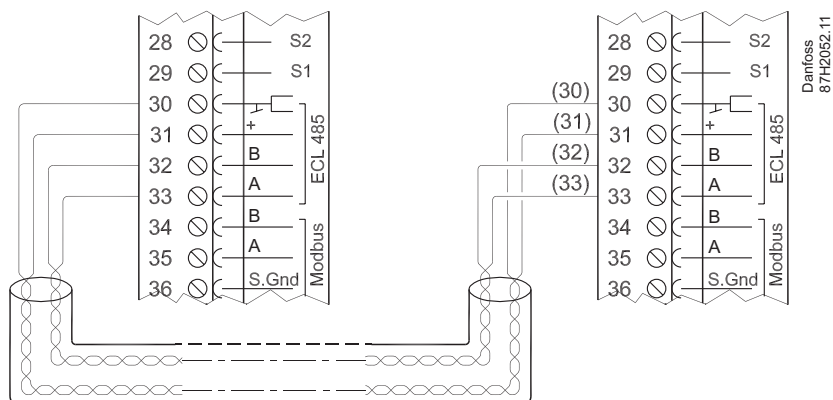
ECA 32



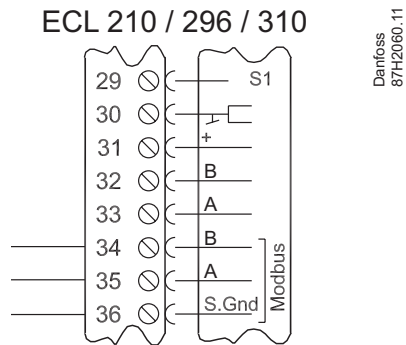
ECA 30 / 31



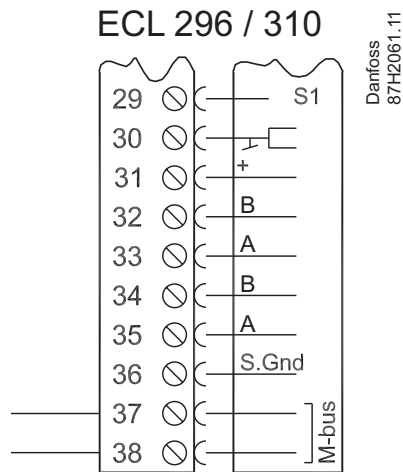
Master / slave



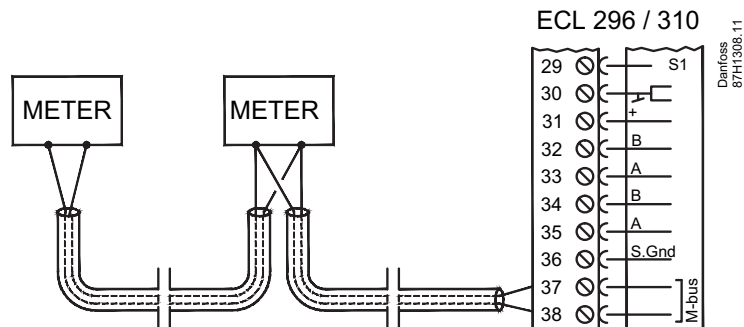
**Modbus**



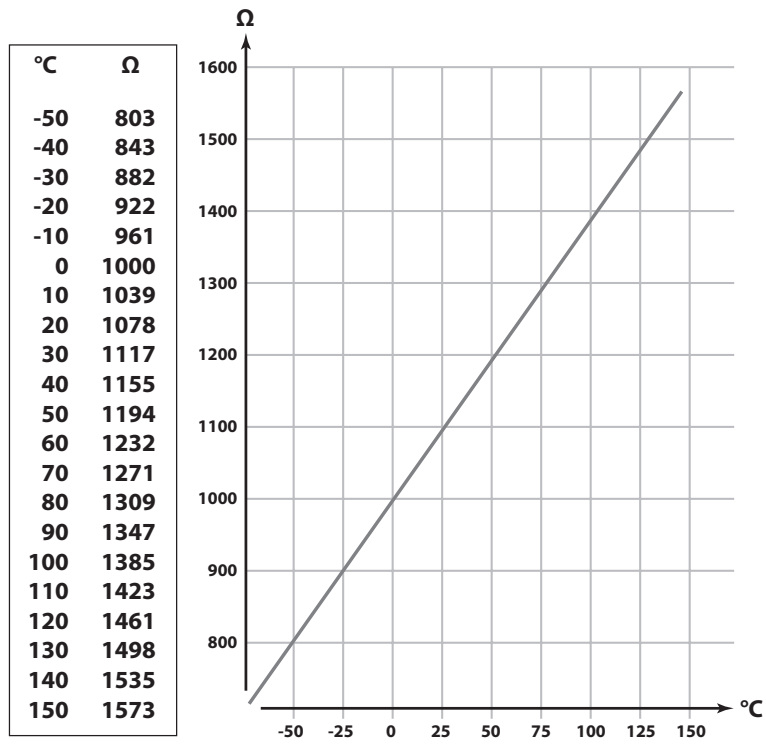
**M-bus**



**M-bus**

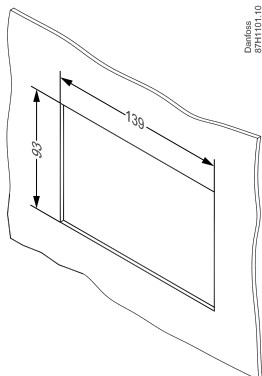


Pt 1000 (IEC 751B, 1000  $\Omega$  / 0  $^{\circ}\text{C}$ )



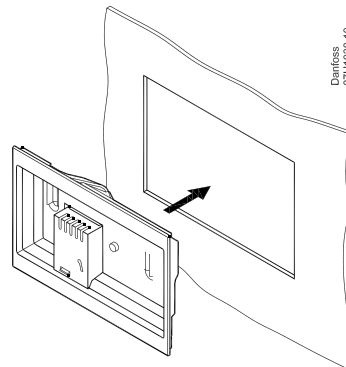
ECA 30

1



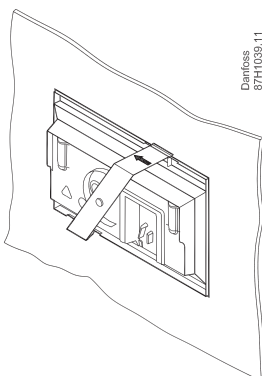
Danfoss  
87H101.10

2



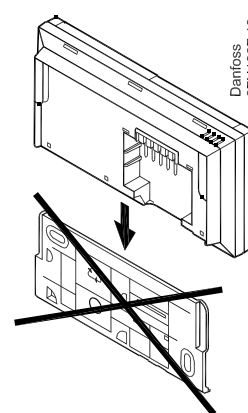
Danfoss  
87H1038.10

3



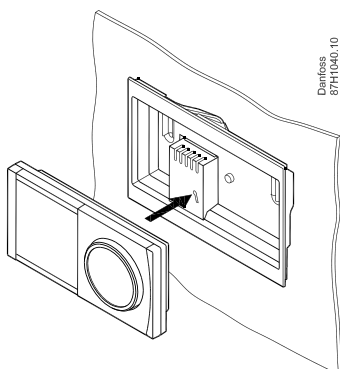
Danfoss  
87H1039.11

4



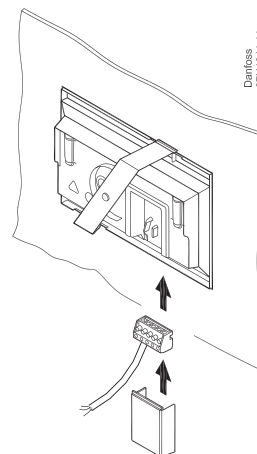
Danfoss  
87H1037.10

5



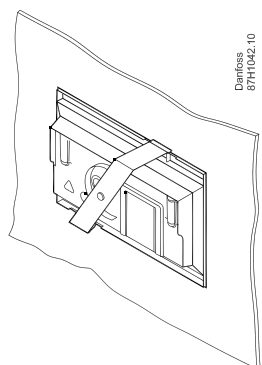
Danfoss  
87H1040.10

6



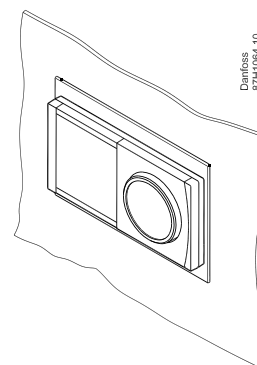
Danfoss  
87H1041.11

7



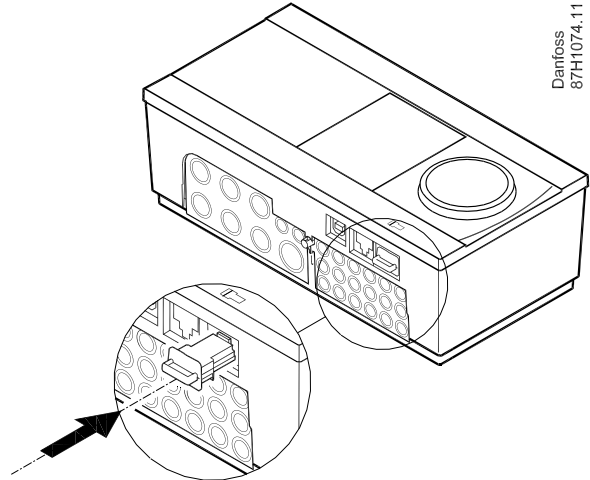
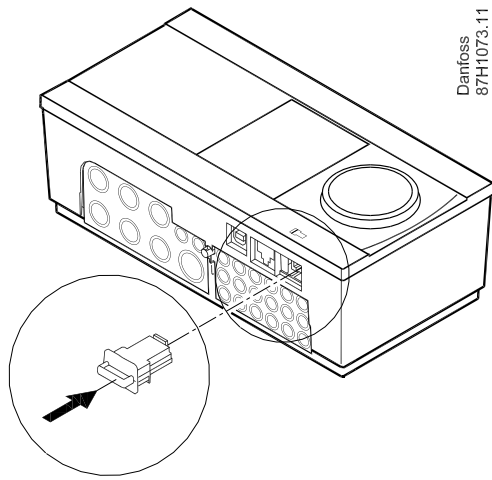
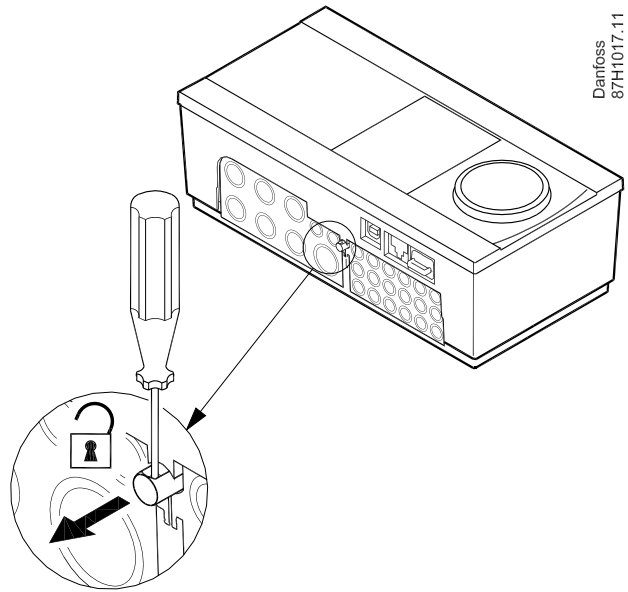
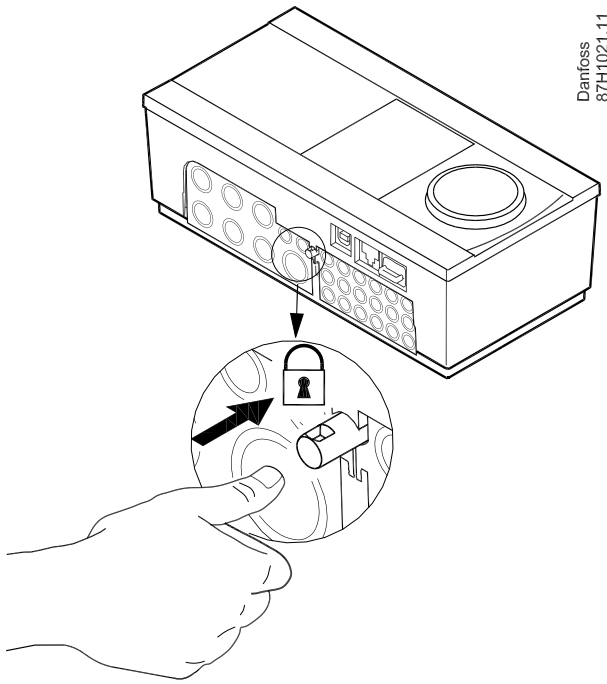
Danfoss  
87H1042.10

8



Danfoss  
87H1064.10

Installation Guide, ECL Comfort 210 / 296 / 310, A214 / A314



? **ECL Comfort 210 / 296 / 310, A214 / A314: [www.heating.danfoss.com](http://www.heating.danfoss.com)**



**Danfoss A/S**  
Heating Segment • [heating.danfoss.com](http://heating.danfoss.com) • +45 7488 2222 • E-Mail: [heating@danfoss.com](mailto:heating@danfoss.com)

Danfoss can accept no responsibility for possible errors in catalogues, brochures and other printed material. Danfoss reserves the right to alter its products without notice. This also applies to products already on order provided that such alterations can be made without subsequential changes being necessary in specifications already agreed. All trademarks in this material are property of the respective companies. Danfoss and all Danfoss logotypes are trademarks of Danfoss A/S. All rights reserved.