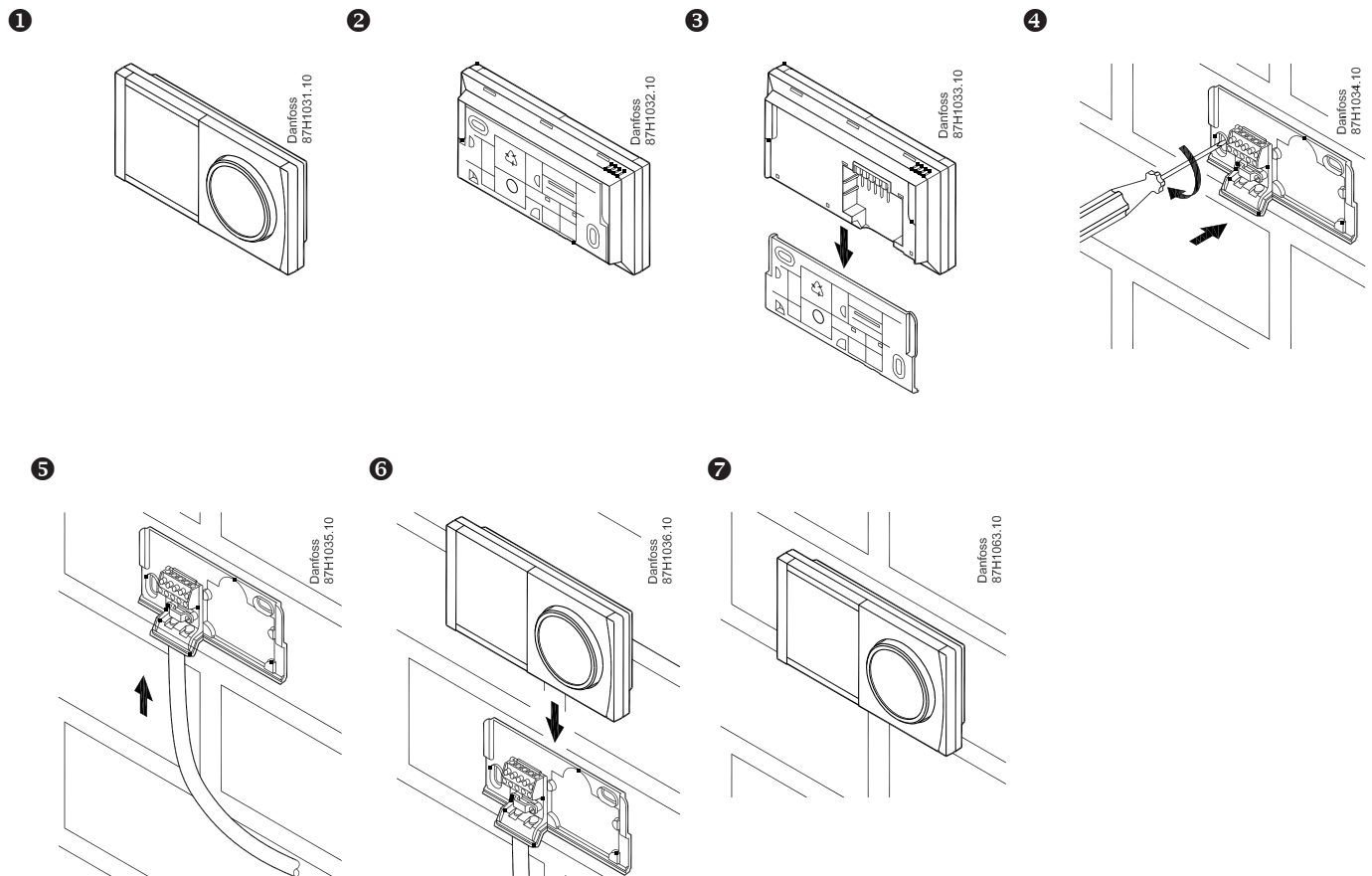
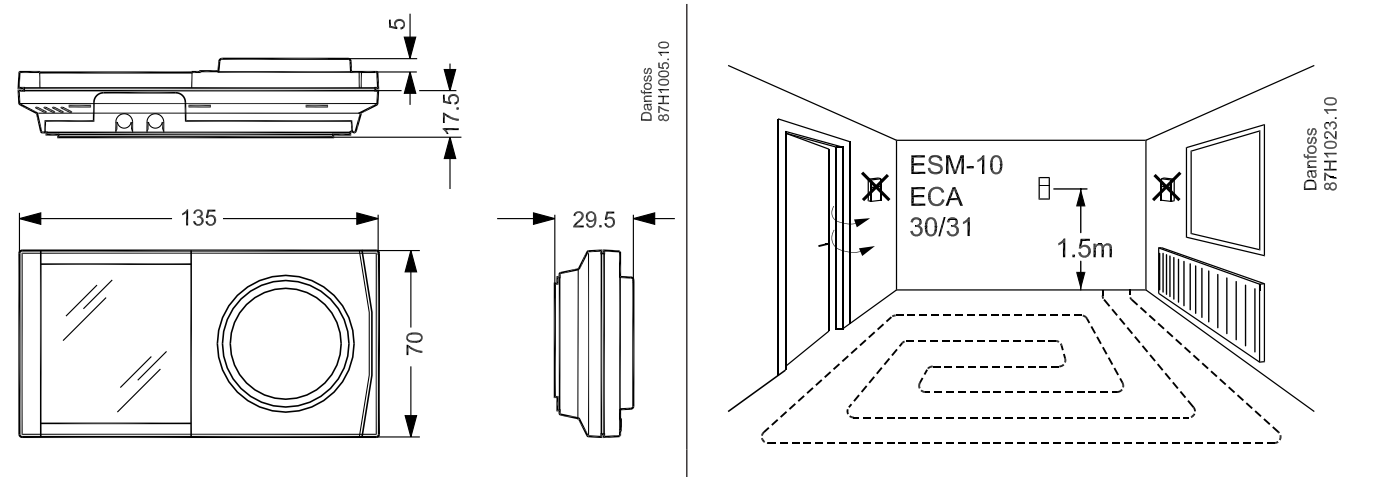
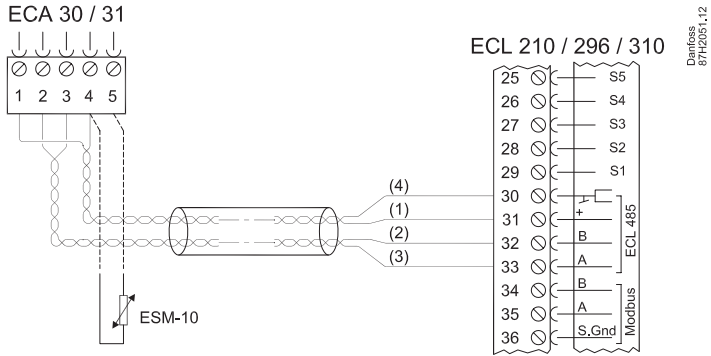


Installation Guide

# ECA 30 (code no. 087H3200) ECA 31 (code no. 087H3201)



Installation Guide, ECA 30 / 31



? Installation Guide, ECA 30 / 31: [www.heating.danfoss.com](http://www.heating.danfoss.com)



**Danfoss A/S**  
Heating Segment • [heating.danfoss.com](http://heating.danfoss.com) • +45 7488 2222 • E-Mail: [heating@danfoss.com](mailto:heating@danfoss.com)

Danfoss can accept no responsibility for possible errors in catalogues, brochures and other printed material. Danfoss reserves the right to alter its products without notice. This also applies to products already on order provided that such alterations can be made without subsequential changes being necessary in specifications already agreed. All trademarks in this material are property of the respective companies. Danfoss and all Danfoss logotypes are trademarks of Danfoss A/S. All rights reserved.