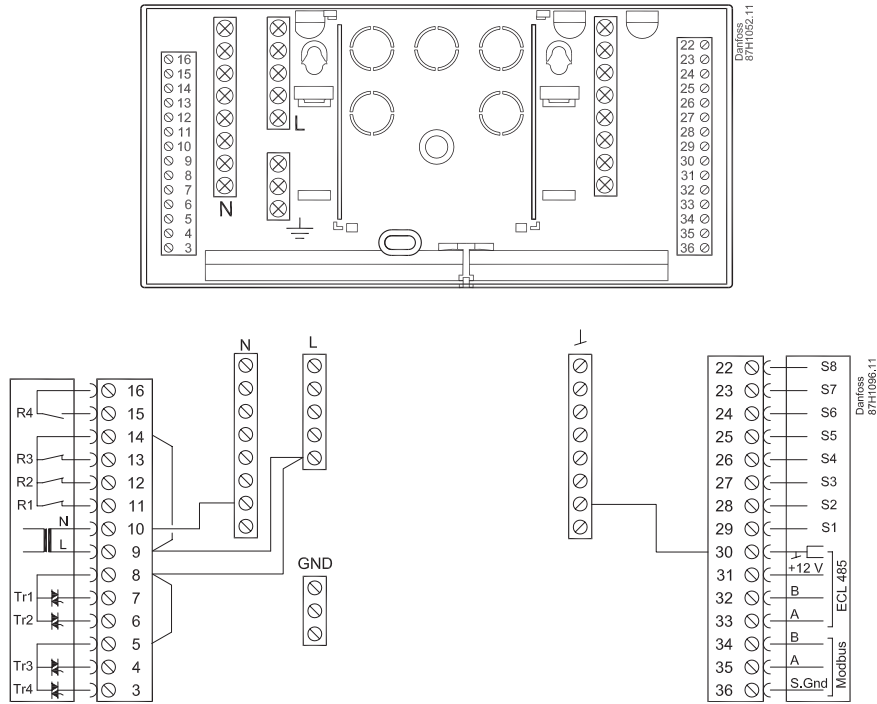


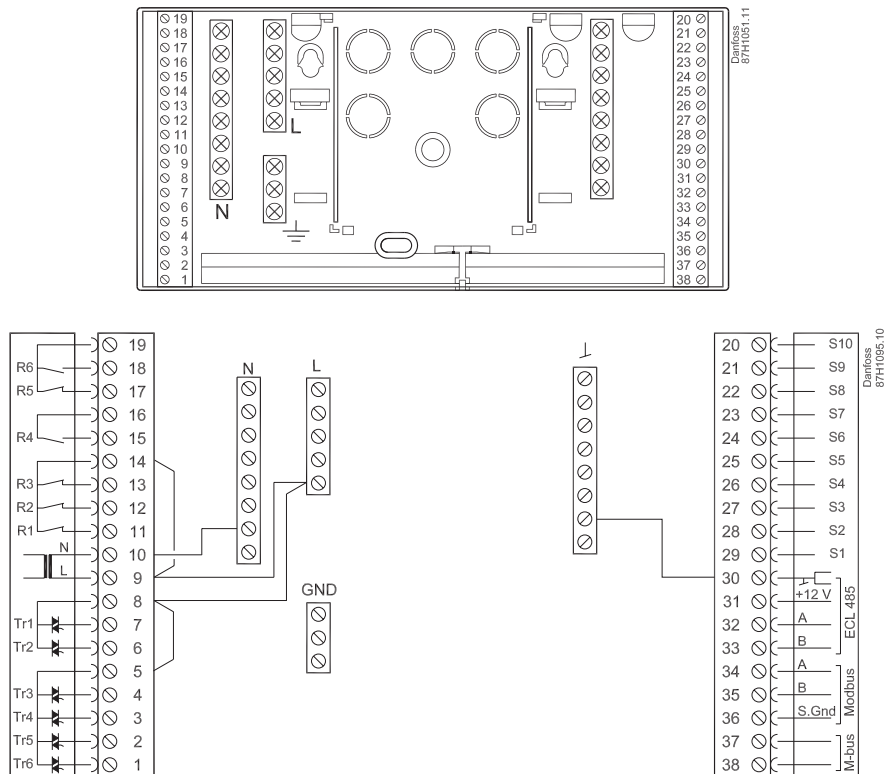
Installation Guide

ECL Comfort 210 / 310 Base Part

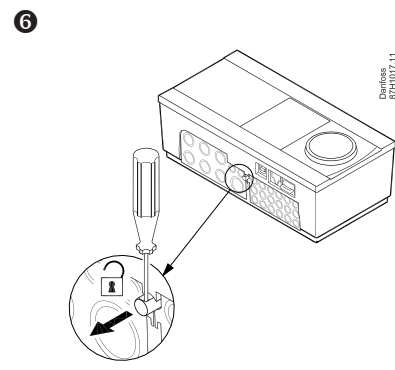
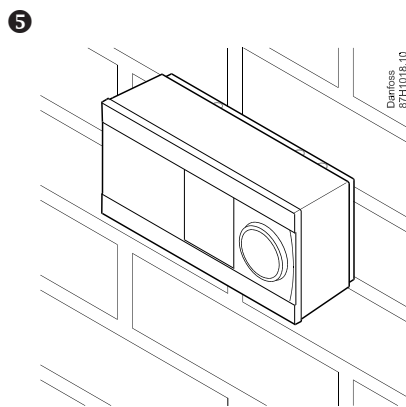
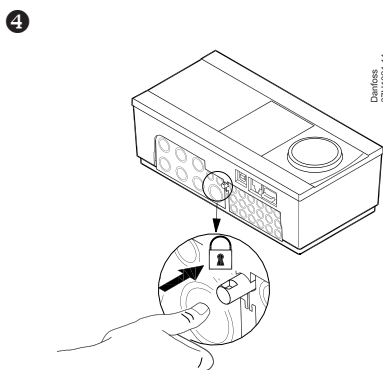
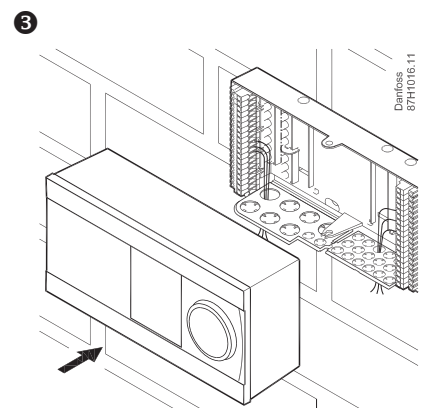
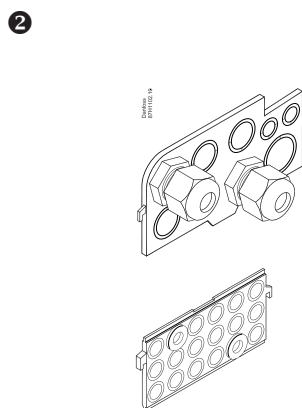
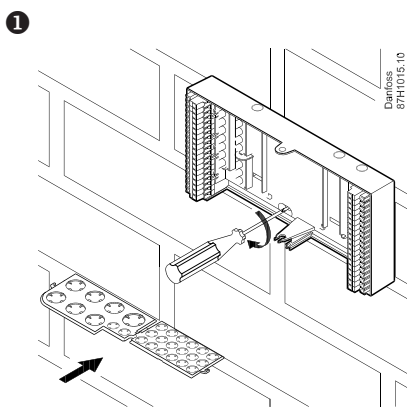
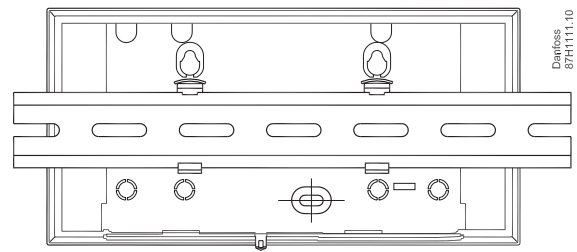
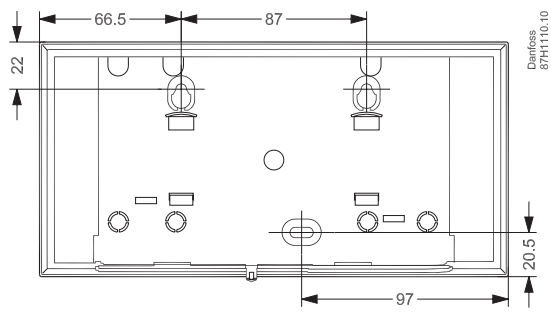
ECL Comfort 210 Base Part (code no. 087H3220):



ECL Comfort 310 Base Part (code no. 087H3230):

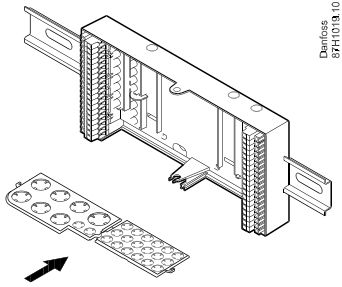


Installation Guide, ECL Comfort 210 / 310 Base Part

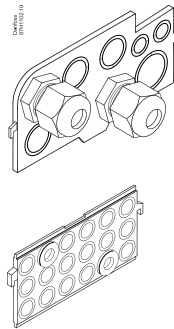


Installation Guide, ECL Comfort 210 / 310 Base Part

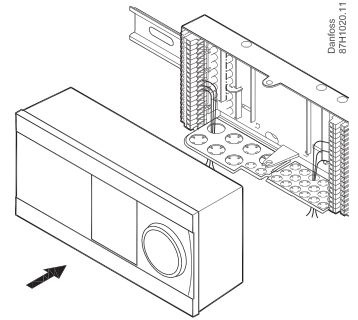
1



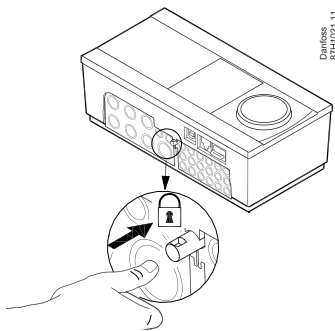
2



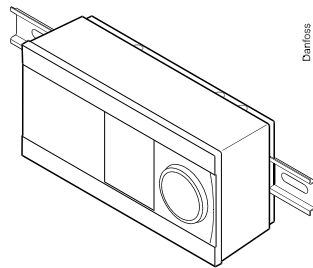
3



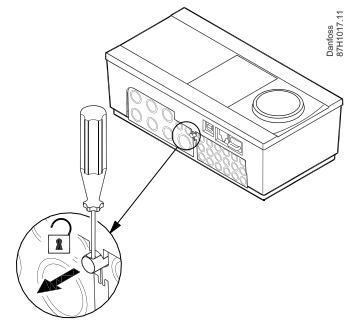
4



5



6





Installation Guide, ECL Comfort 210 / 310 Base Part

?   **ECL Comfort 210 / 310: www.heating.danfoss.com**



Danfoss A/S
Heating Segment • heating.danfoss.com • +45 7488 2222 • E-Mail: heating@danfoss.com

Danfoss can accept no responsibility for possible errors in catalogues, brochures and other printed material. Danfoss reserves the right to alter its products without notice. This also applies to products already on order provided that such alterations can be made without subsequential changes being necessary in specifications already agreed.
All trademarks in this material are property of the respective companies. Danfoss and all Danfoss logotypes are trademarks of Danfoss A/S. All rights reserved.
