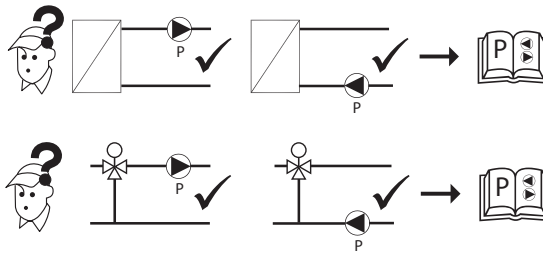
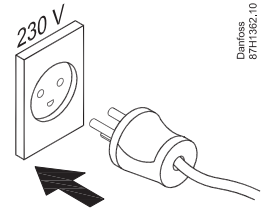
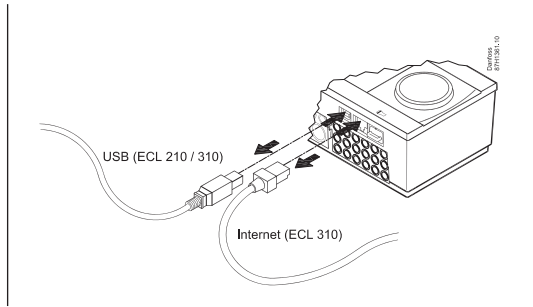
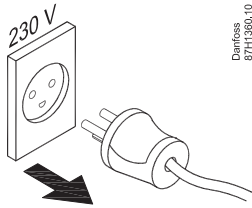
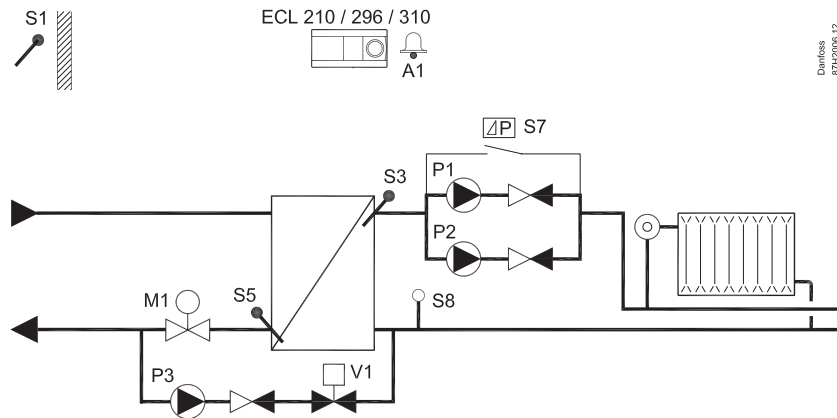


Installation Guide

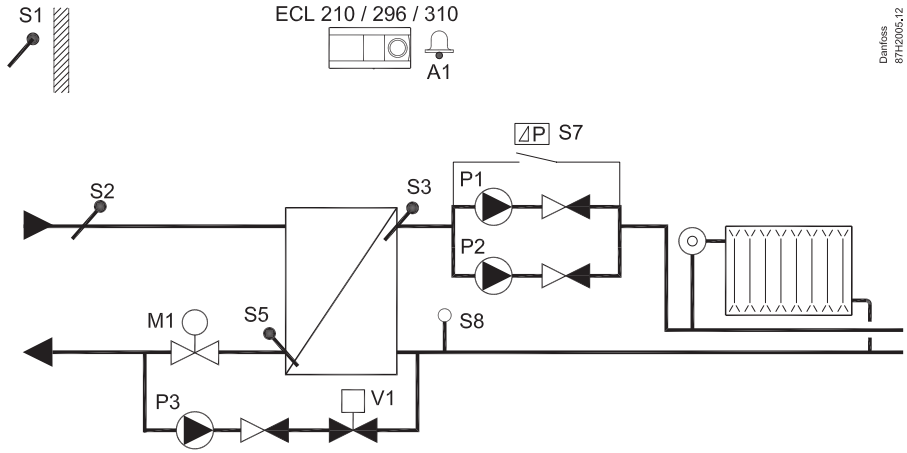
ECL Comfort 210 / 296 / 310, A231 / A331 (code no. 087H3805)



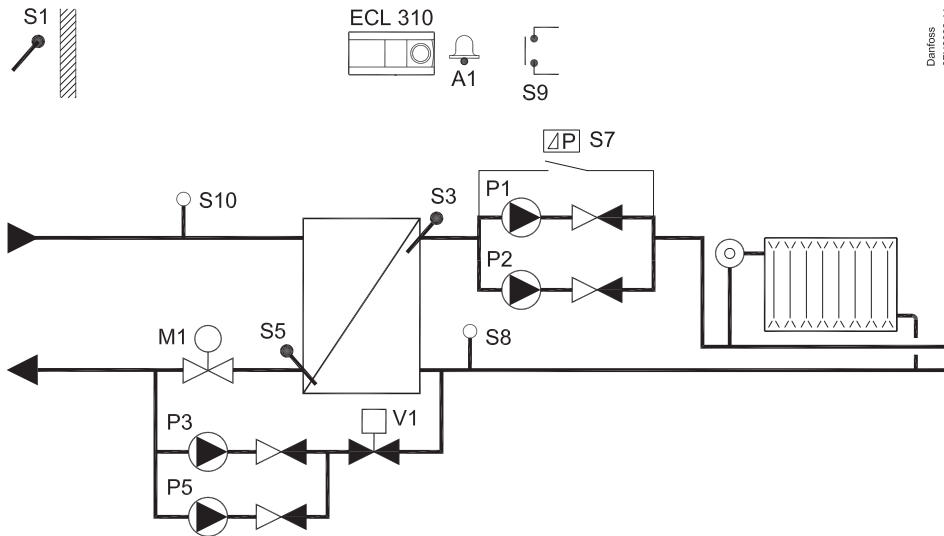
A231.1:



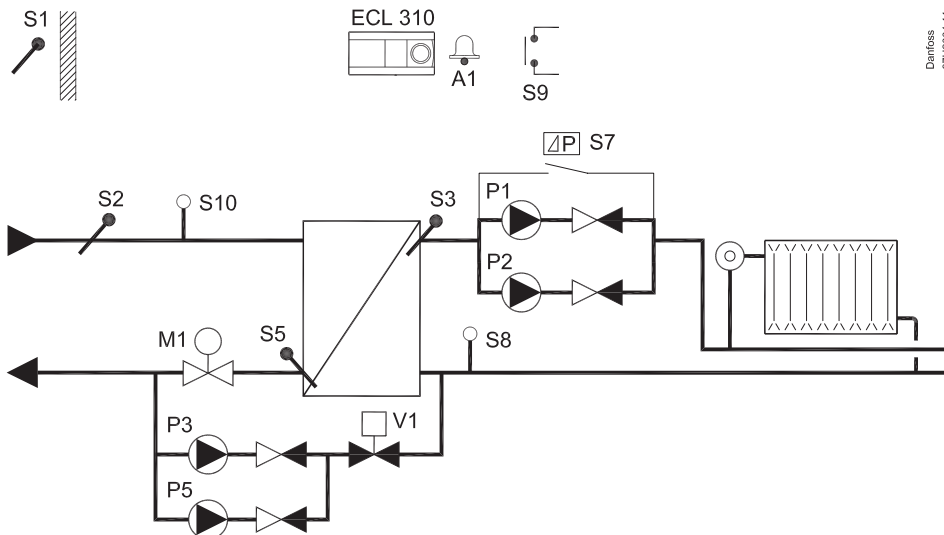
A231.2:



A331.1:



A331.2:

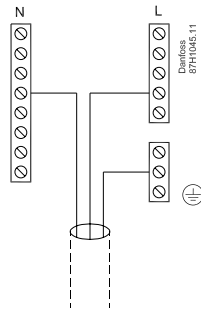


Installation Guide, ECL Comfort 210 / 296 / 310, A231 / A331

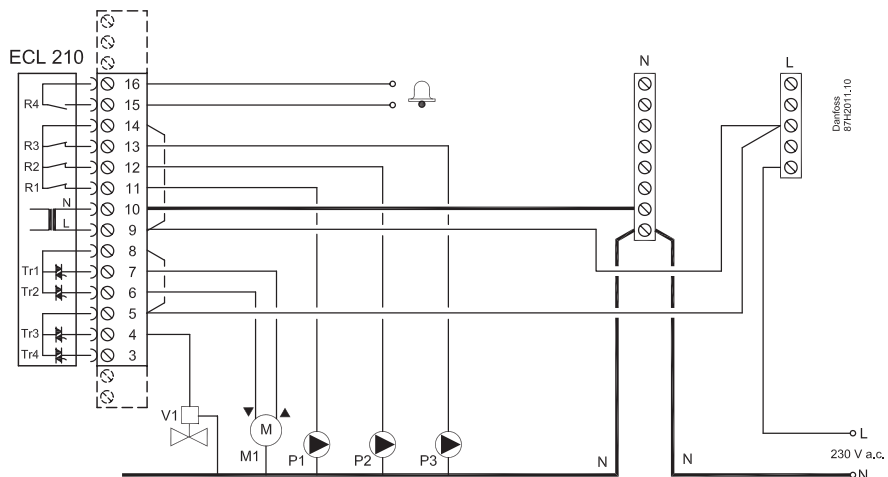
ECL Comfort 210 / 296 / 310:

230 V a.c.

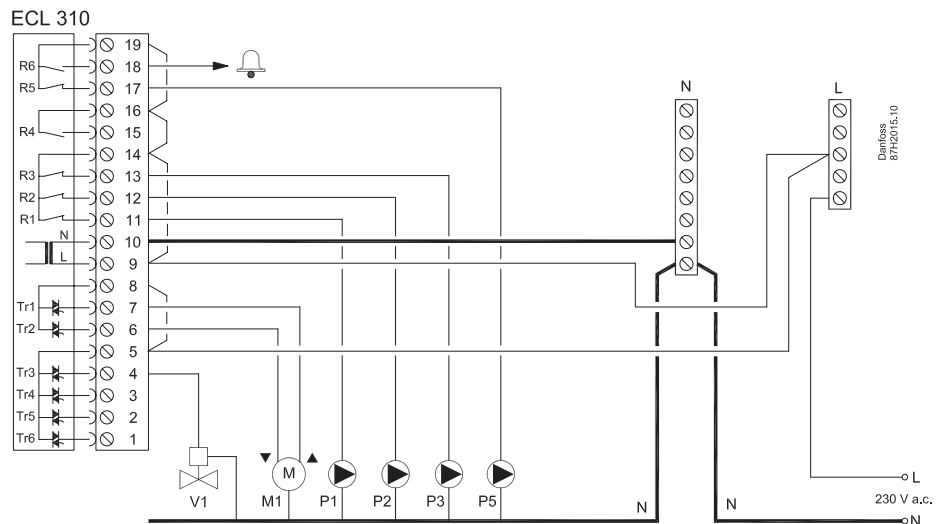
R		4 (2) A / 230 V a.c.
R		
Tr		0,2 A / 230 V a.c.



230 V a.c. , A231.1 / A231.2



230V a.c., A331.1 / A331.2



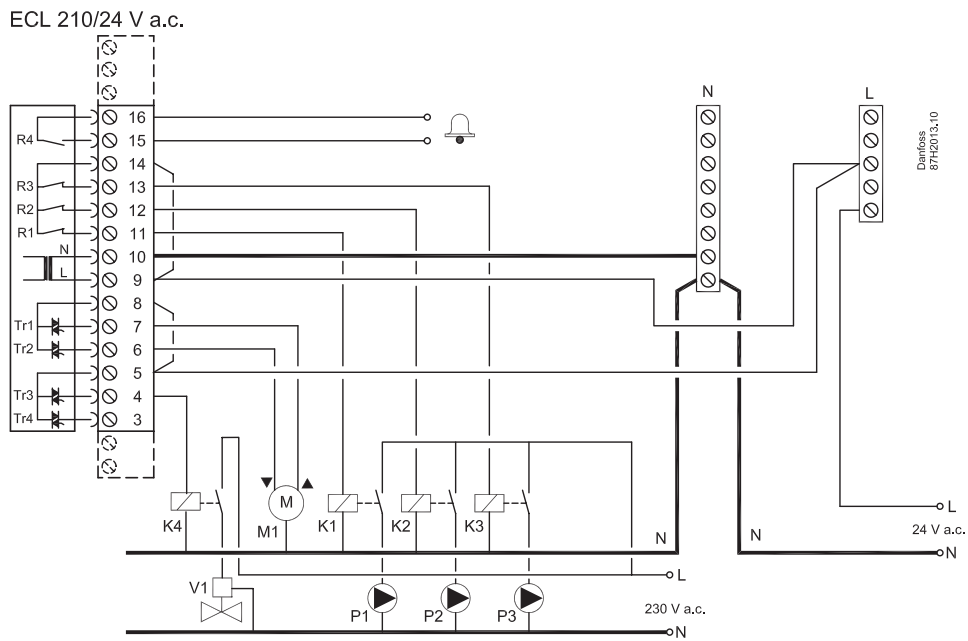
Installation Guide, ECL Comfort 210 / 296 / 310, A231 / A331

ECL Comfort 210 / 296 / 310:

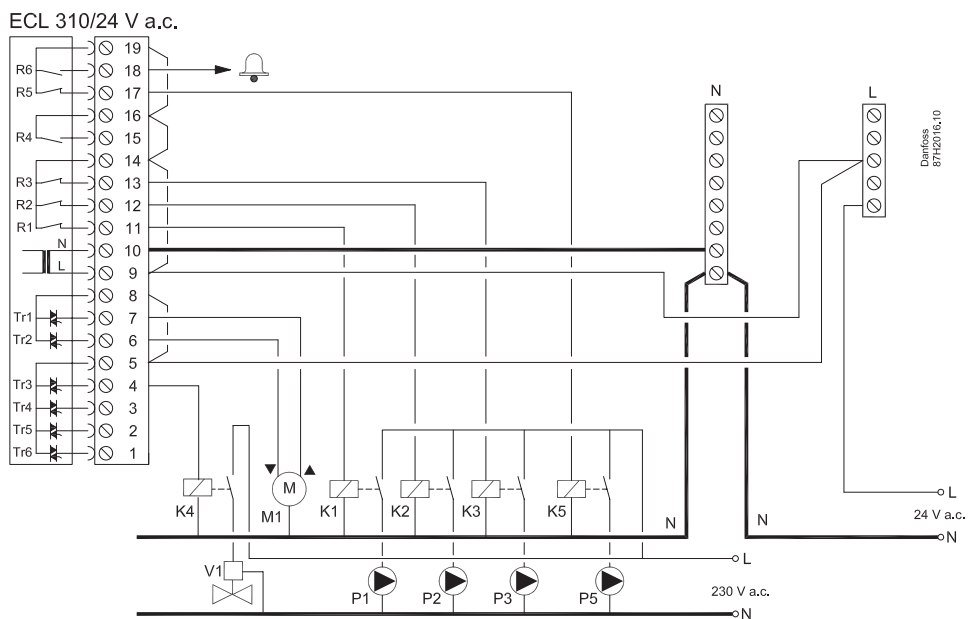
24 V a.c.

R		4 (2) A / 24 V a.c.
Tr		1 A / 24 V a.c.

24 V a.c., A231.1 / A231.2

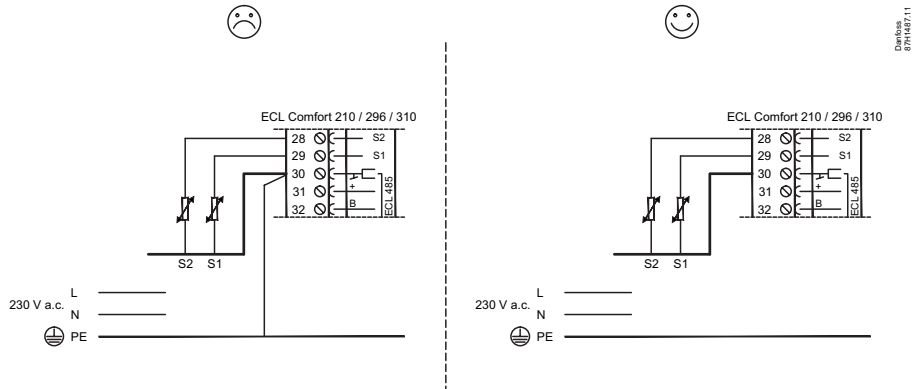


24 V a.c., A331.1 / A331.2

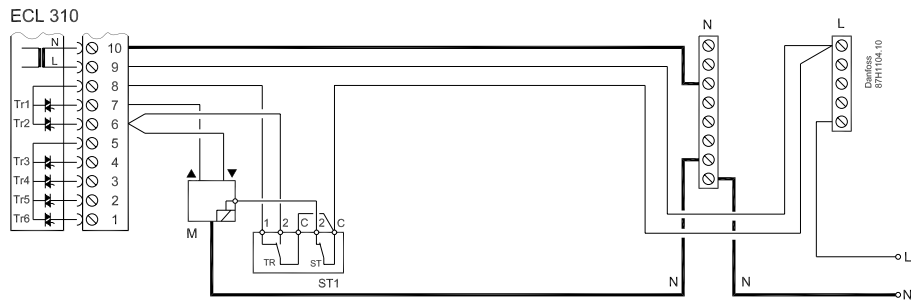
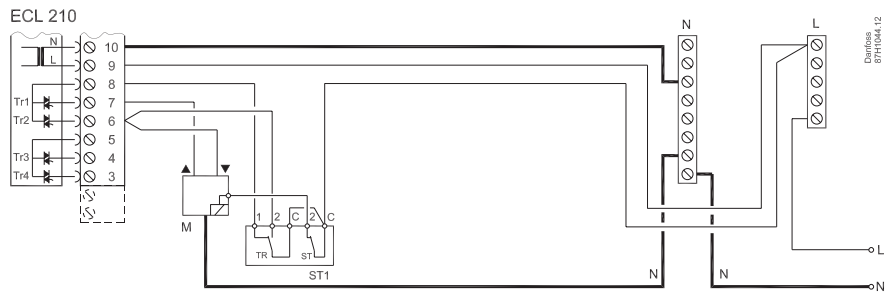


Installation Guide, ECL Comfort 210 / 296 / 310, A231 / A331

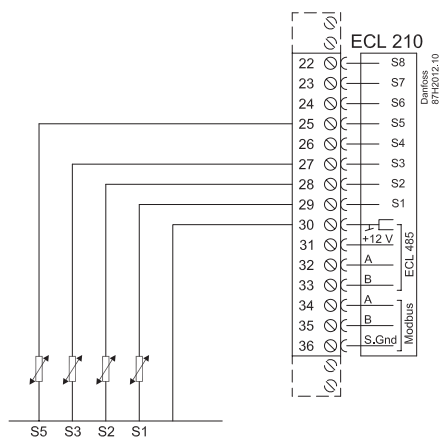
Pt 1000 (1000 Ω / 0 °C)



24 V a.c. / 230 V a.c. safety thermostat

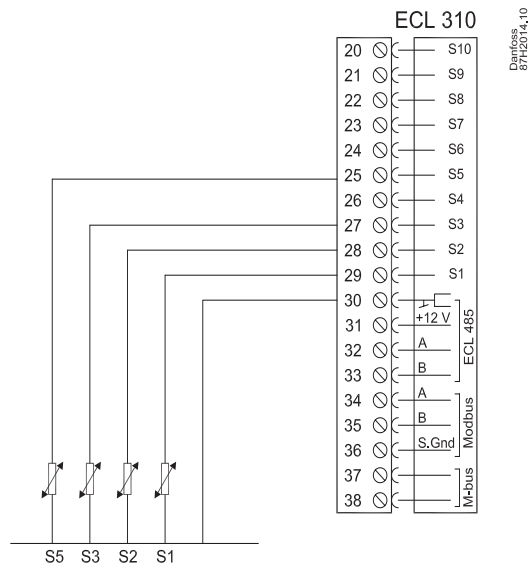


Pt 1000 (1000 Ω / 0 °C)
A231.1 (÷ S2) / A231.2

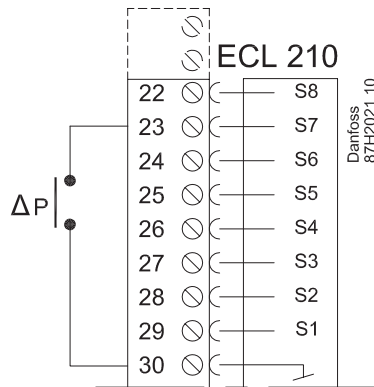


Installation Guide, ECL Comfort 210 / 296 / 310, A231 / A331

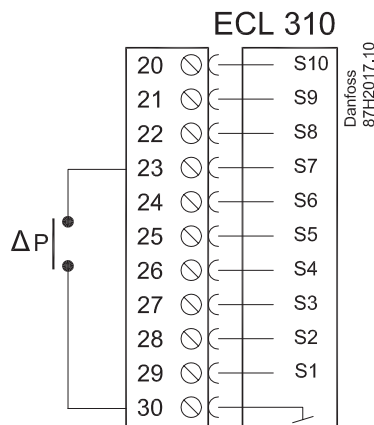
Pt 1000 (1000 Ω / 0 °C)
A331.1 (\div S2) / A331.2



A231.1 / A231.2

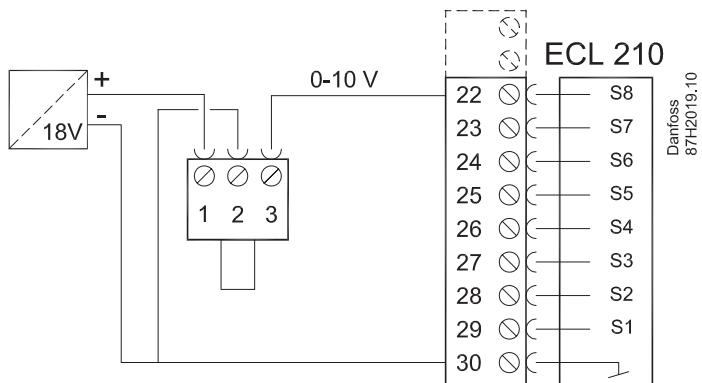


A331.1 / A331.2

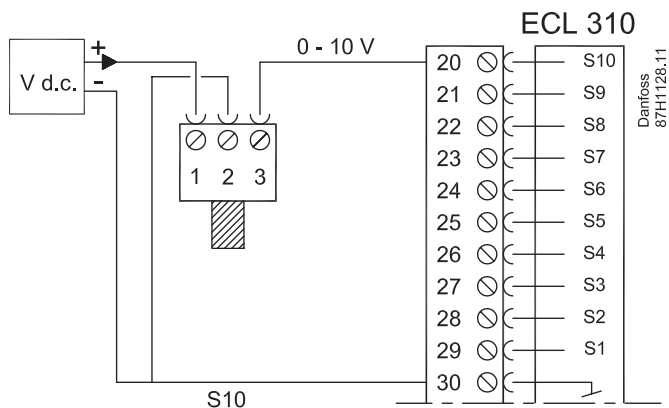


Installation Guide, ECL Comfort 210 / 296 / 310, A231 / A331

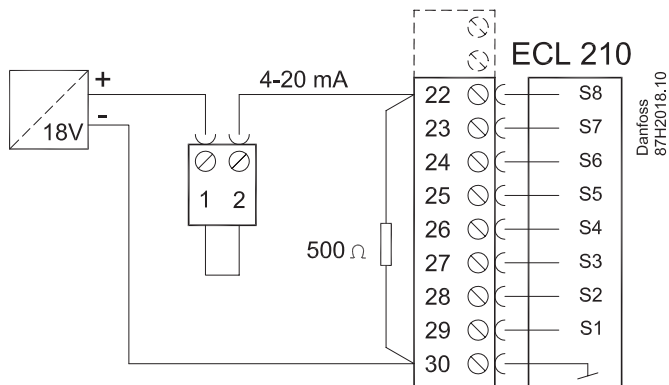
A231.1 / A231.2



A331.1 / A331.2

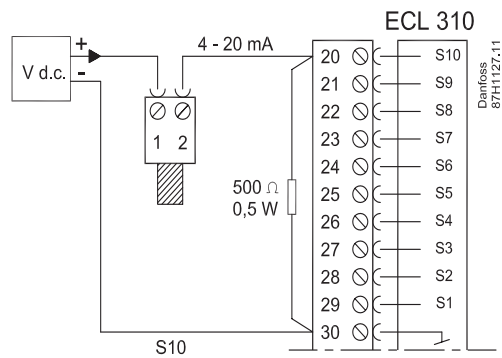


A231.1 / A231.2

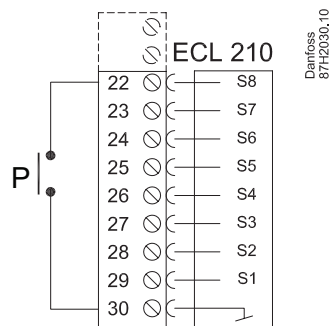


Installation Guide, ECL Comfort 210 / 296 / 310, A231 / A331

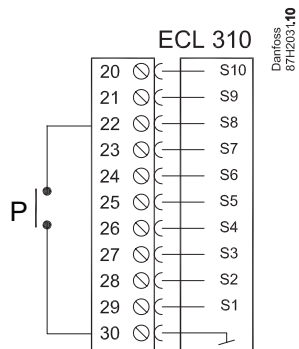
A331.1 / A331.2



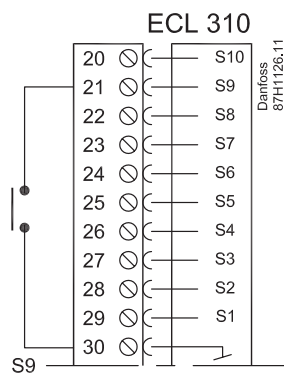
A231.1 / A231.2



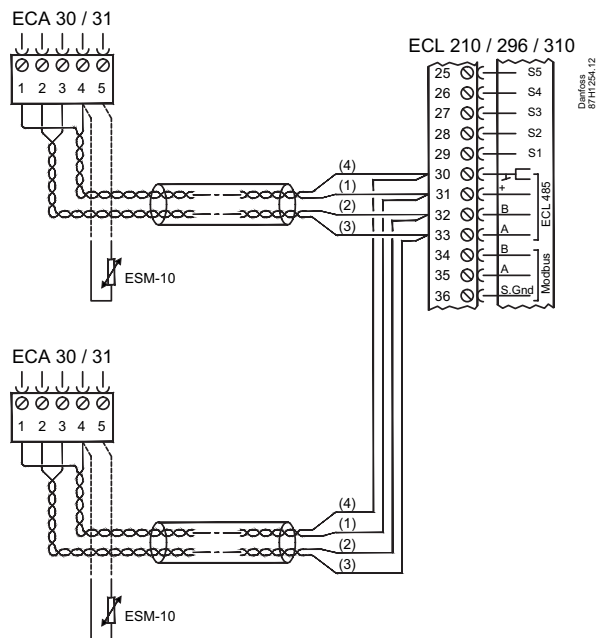
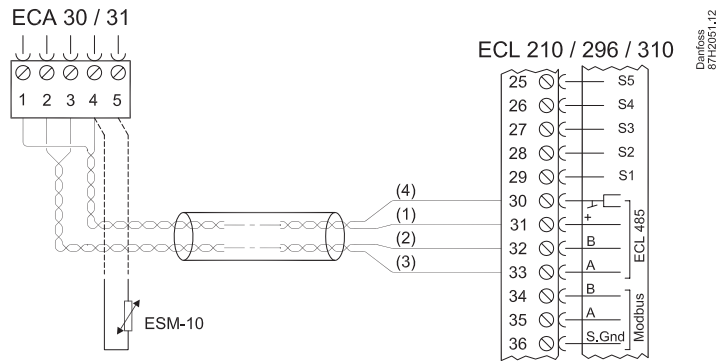
A331.1 / A331.2



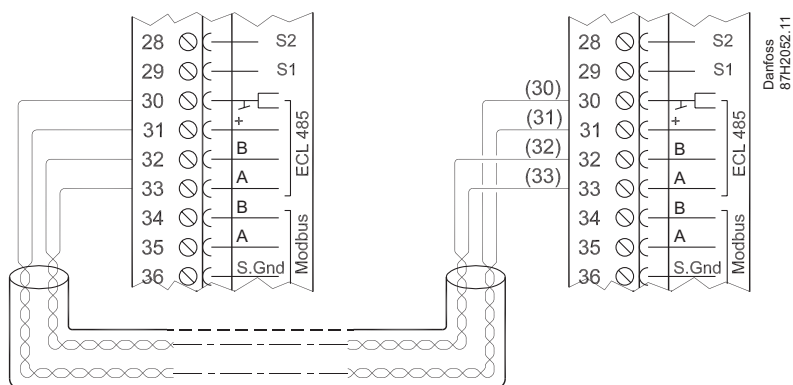
A331.1 / A331.2



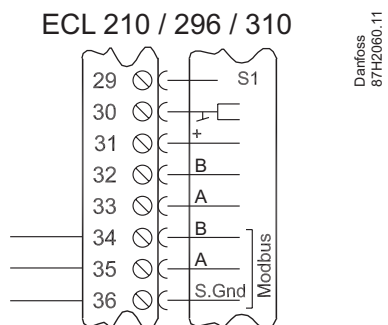
ECA 30 / 31



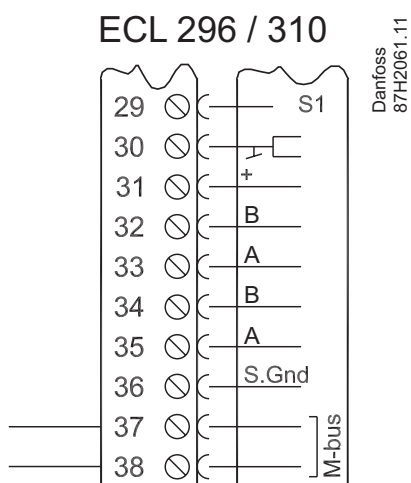
Master / slave



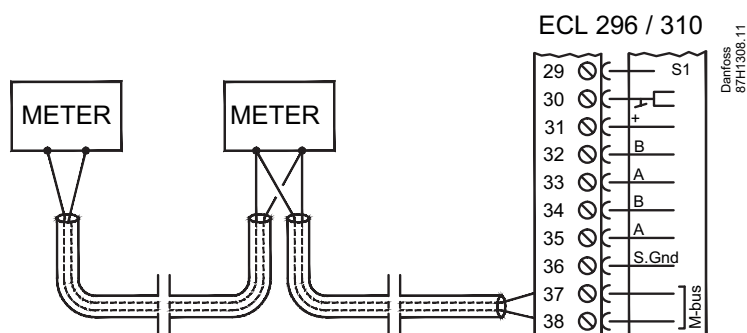
Modbus



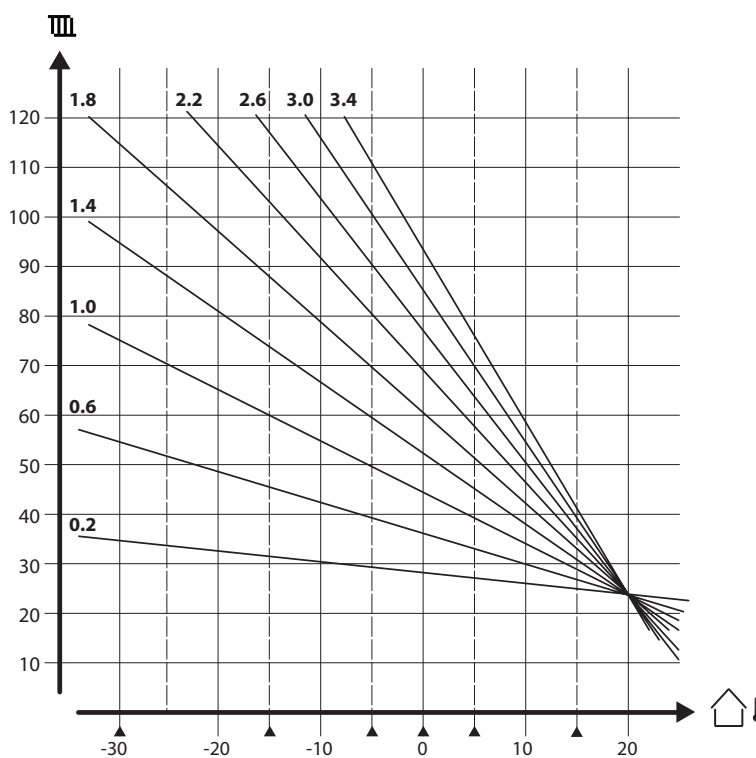
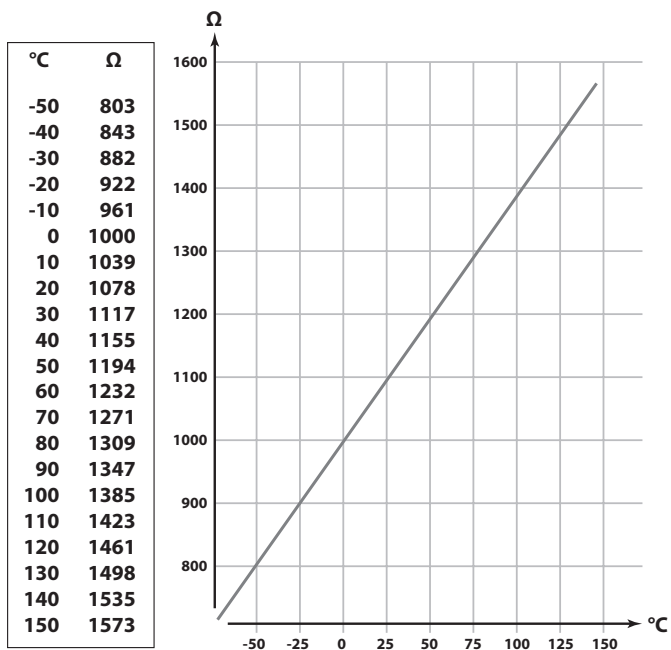
M-bus



M-bus

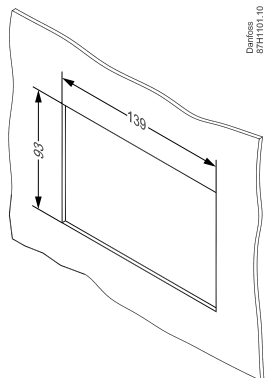


Pt 1000 (IEC 751B, 1000 Ω / 0 °C)



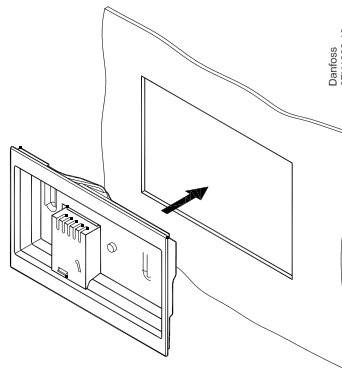
ECA 30

1



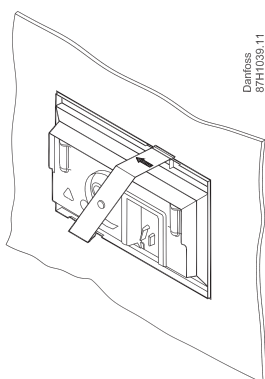
Danfoss
87H101.10

2



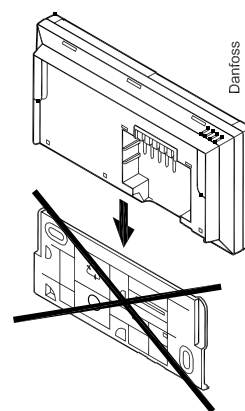
Danfoss
87H1038.10

3



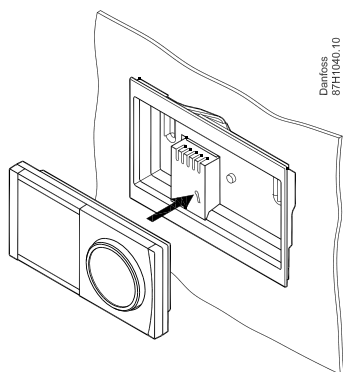
Danfoss
87H1039.11

4



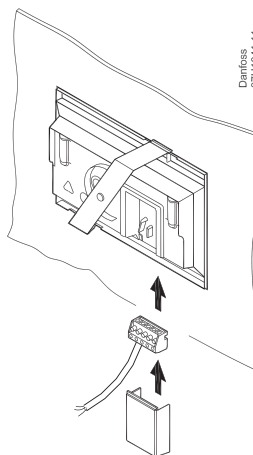
Danfoss
87H1037.10

5



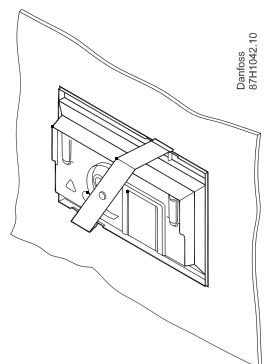
Danfoss
87H1040.10

6



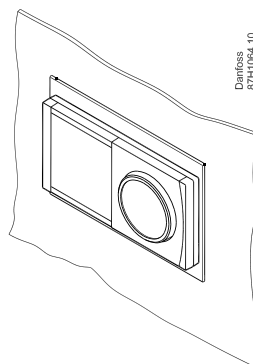
Danfoss
87H1041.11

7



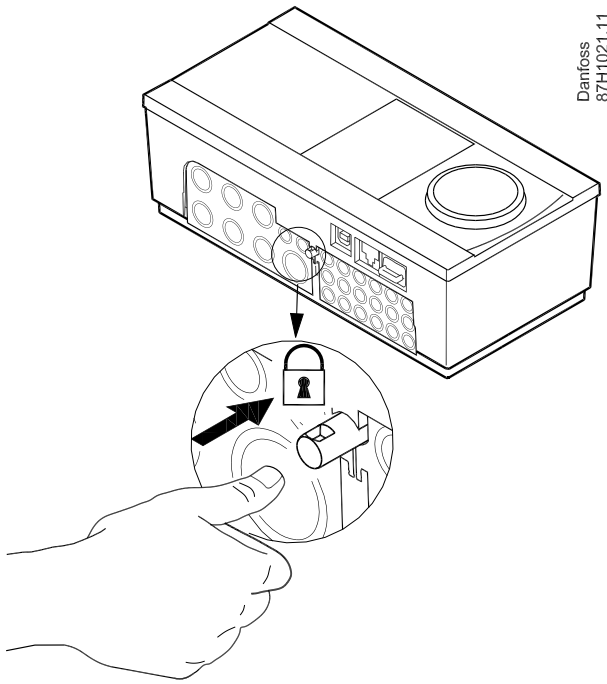
Danfoss
87H1042.10

8

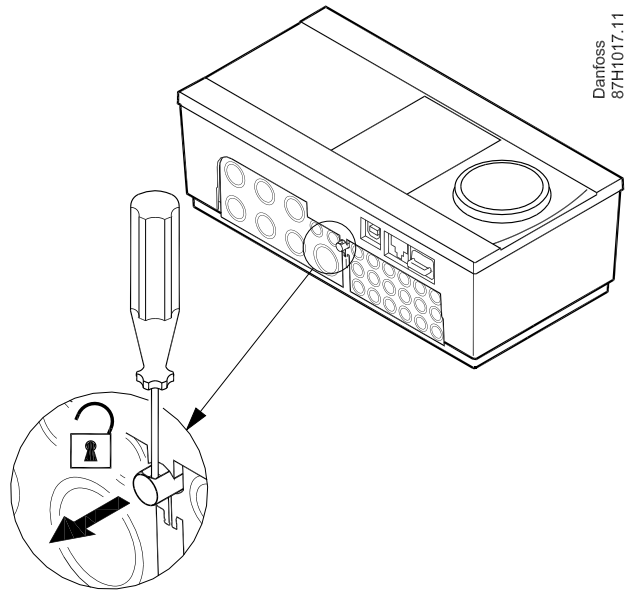


Danfoss
87H1064.10

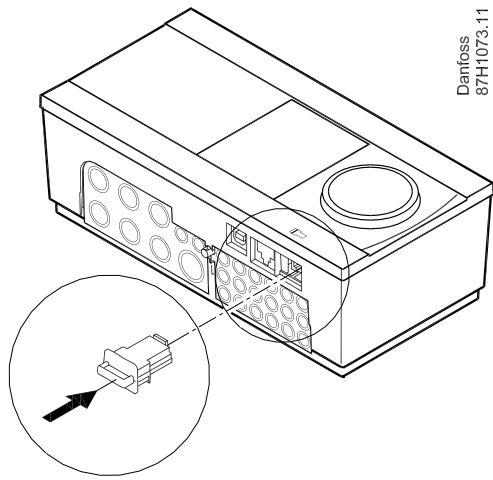
Installation Guide, ECL Comfort 210 / 296 / 310, A231 / A331



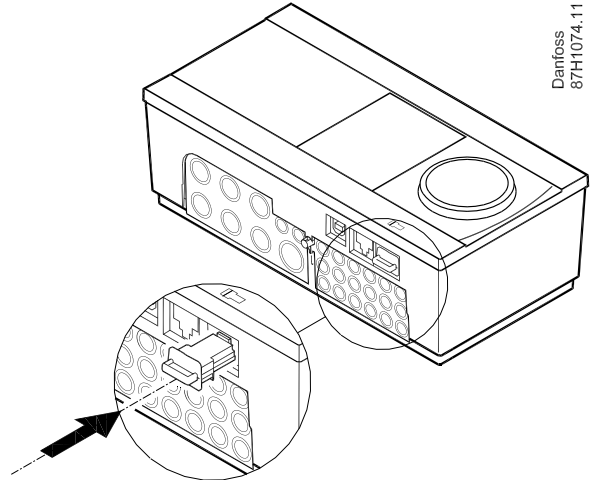
Danfoss
87H1021.11



Danfoss
87H1017.11



Danfoss
87H1073.11



Danfoss
87H1074.11

? **ECL Comfort 210 / 296 / 310, A231 / A331: www.heating.danfoss.com**



Danfoss A/S
Heating Segment • heating.danfoss.com • +45 7488 2222 • E-Mail: heating@danfoss.com

Danfoss can accept no responsibility for possible errors in catalogues, brochures and other printed material. Danfoss reserves the right to alter its products without notice. This also applies to products already on order provided that such alterations can be made without substantial changes being necessary in specifications already agreed. All trademarks in this material are property of the respective companies. Danfoss and all Danfoss logotypes are trademarks of Danfoss A/S. All rights reserved.