



REFRIGERATION AND  
AIR CONDITIONING

# Instructions

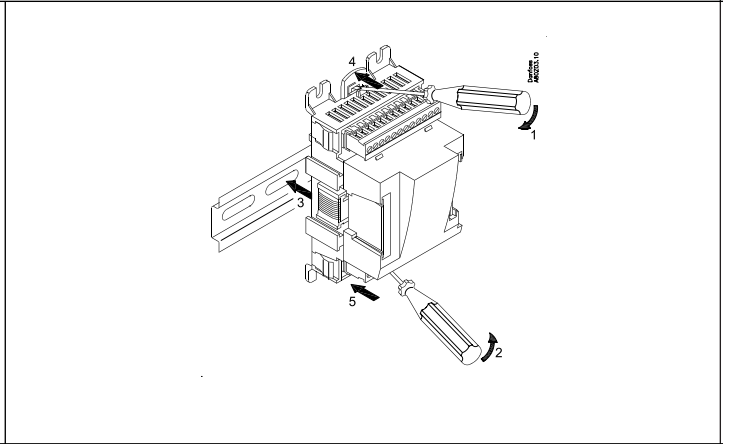
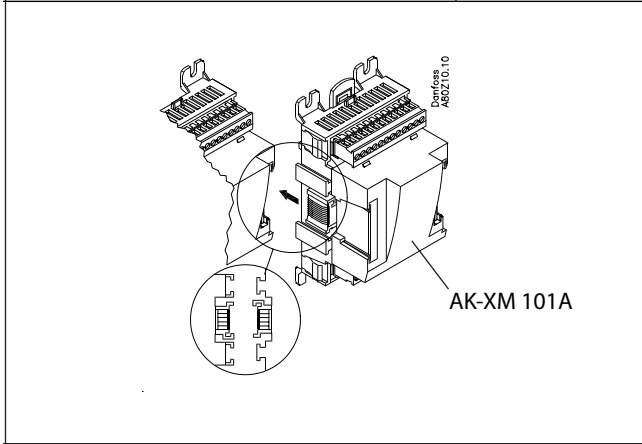
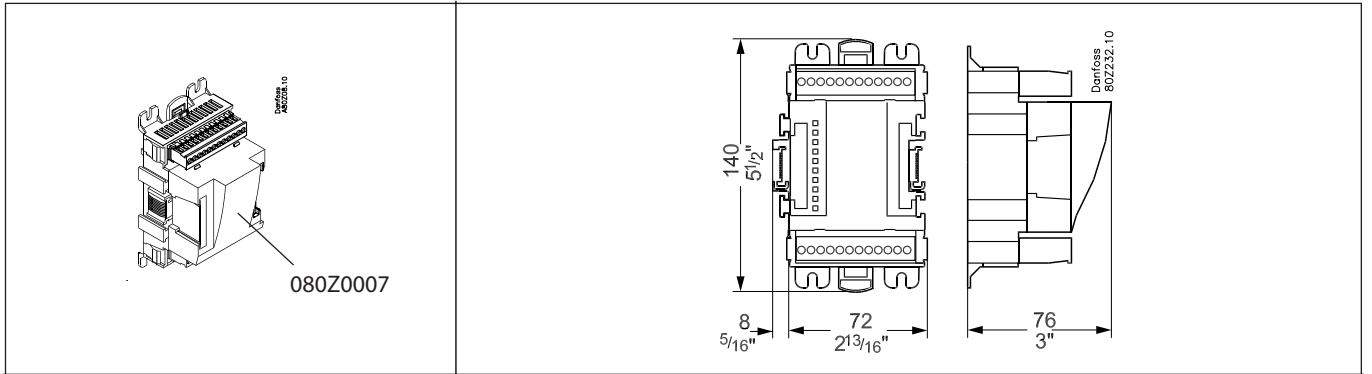
## AK-XM 101A



080R9212

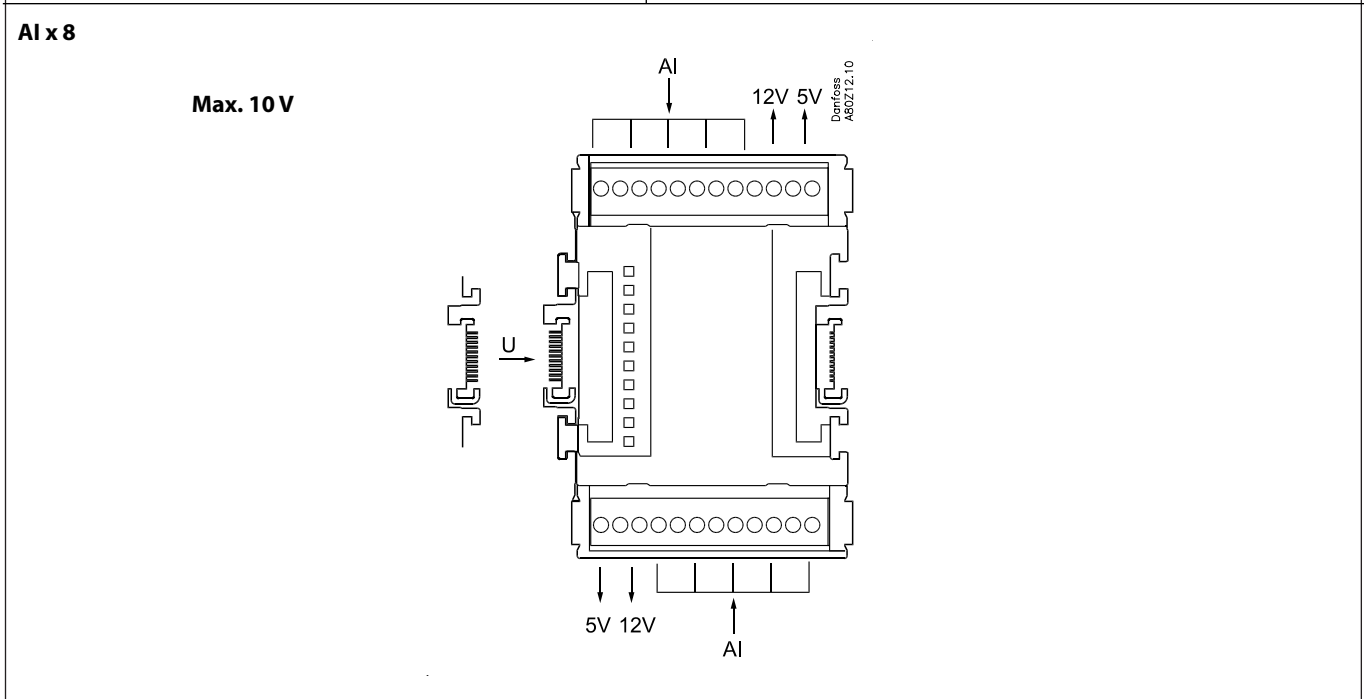


RI8HF502



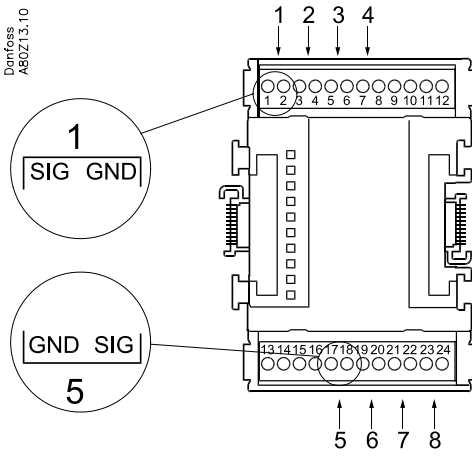
**CE**  
 $-20^{\circ} < t_{amb} < 55^{\circ}C$   
 $-0^{\circ}F < t_{amb} < 130^{\circ}F$   
 0 - 95% RH, non condensing  
 IP10 / VBG4  
 UL: E357029

**Warning**  
 Ensure power is disconnected before adding or removing Modules



**Point**

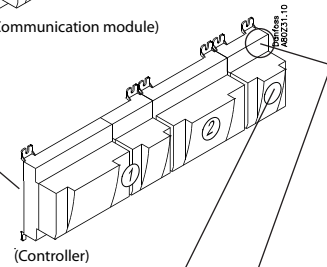
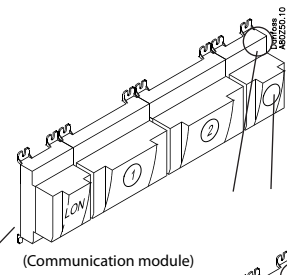
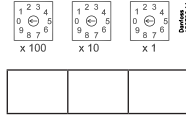
Denfoss  
AB0271.3.10



- Terminal 9: 12V
- Terminal 10: 5V
- Terminal 15: 5V
- Terminal 16: 12V
- Terminal 11, 12, 13, 14:

	Signal	Signal type
<b>S (sensor)</b> Pt 1000 ohm/0°C 	S1 S2 Saux1 SSA SdA	Pt 1000
<b>P (pressure)</b> AKS 32R  AKS 32 	P0A POB PcA PcB	AKS 32R AKS 2050 MBS 8250 -1 - xx bar  AKS 32 -1 - zz bar
<b>U (voltage)</b> 	...	0 - 5V 0 - 10V
<b>On/Off</b> 	Ext. Main switch  Day/ Night  Door	<b>Active at:</b> Closed / Open

**Address**



Signal	Signal type / Active at	Module	Point	Terminals
			1 (AI 1)	1 - 2
			2 (AI 2)	3 - 4
			3 (AI 3)	5 - 6
			4 (AI 4)	7 - 8
			5 (AI 5)	17 - 18
			6 (AI 6)	19 - 20
			7 (AI 7)	21 - 22
			8 (AI 8)	23 - 24

The Product contains electrical components and may not be disposed together with domestic waste. Equipment must be separate collected with Electrical and Electronic waste. According to Local and currently valid legislation.