



Instructions



080R9214

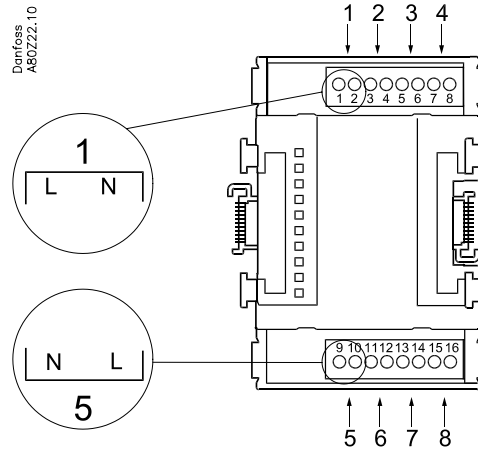
AK-XM 102B



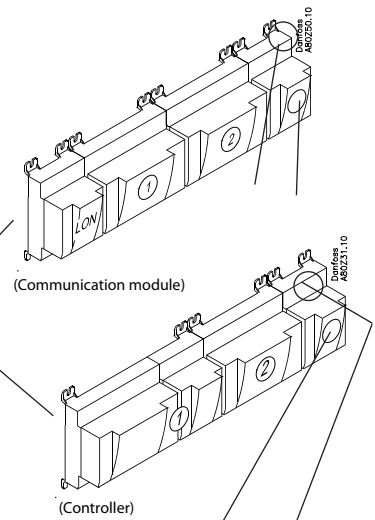
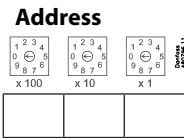
RI8HH602

<p>080Z0013</p>	
<p>AK-XM 102B</p>	
<p>CE $-20^{\circ} < t_{amb} < 55^{\circ}C$ $-0^{\circ}F < t_{amb} < 130^{\circ}F$ 0 - 95% RH, non condensing IP10 / VBG4 UL: E357029</p>	<p>Warning</p> <p>Ensure power is disconnected before adding or removing Modules</p>
<p>DI x 8</p> <p>230V / 115V</p> <p>On/Off: On: DI > 80 V a.c. Off: DI < 24 V a.c.</p>	

Point



	Signal	Active at
DI 	Ext.Main Switch	Closed (voltage on)
	Day/ Night	/
	Comp. Safety 1	Open (voltage off)
	Comp. Safety 2	



Signal	Active at	Module	Point	Terminals
			1 (DI 1)	1 - 2
			2 (DI 2)	3 - 4
			3 (DI 3)	5 - 6
			4 (DI 4)	7 - 8
			5 (DI 5)	9 - 10
			6 (DI 6)	11 - 12
			7 (DI 7)	13 - 14
			8 (DI 8)	15 - 16

The Product contains electrical components And may not be disposed together with domestic waste. Equipment must be separate collected with Electrical and Electronic waste. According to Local and currently valid legislation.