



REFRIGERATION AND
AIR CONDITIONING

Instructions

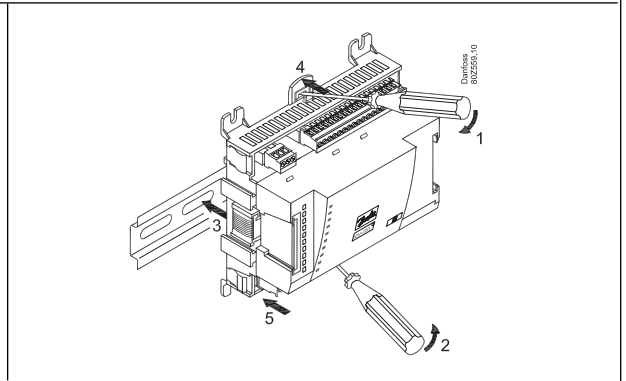
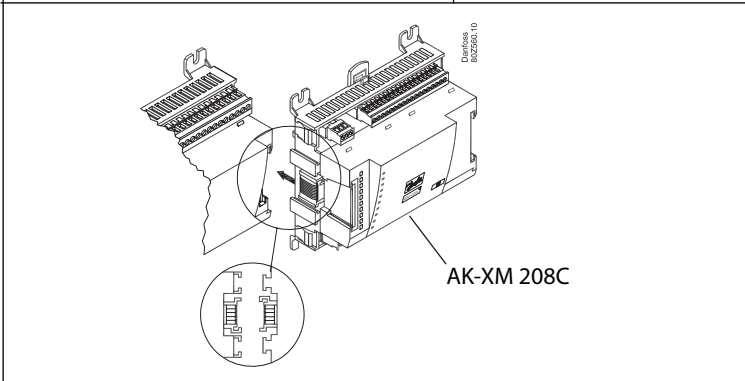
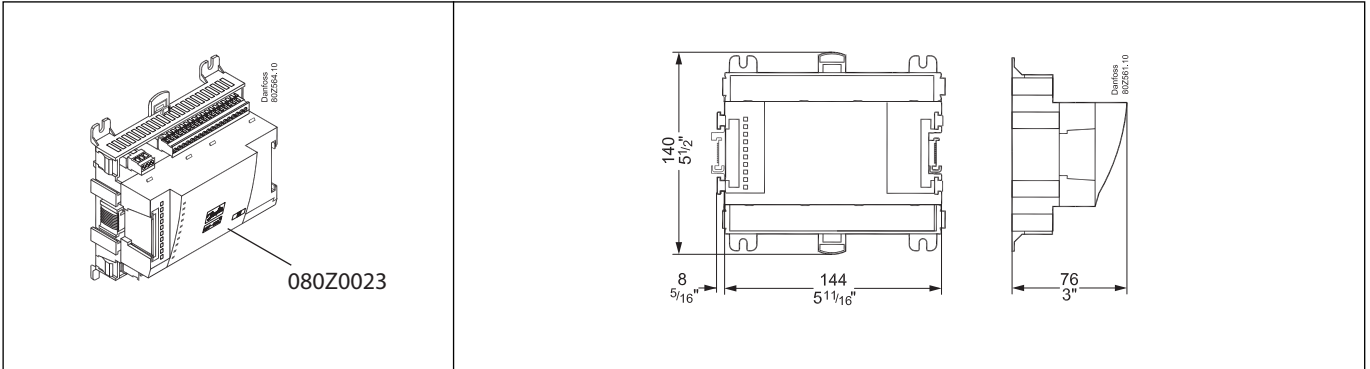


080R9299

Stepper output module AK-XM 208C



RI8PS802



CE

-20°C < t_{amb} < 55°C
-0°F < t_{amb} < 130°F
0 - 95% RH, non condensing
IP10 / VBG4
Controller supply = 5 VA
Valve supply = 7.8 VA + valves.
Class II construction



4VR5
UL file: E357029
Class 2 or LPS in accordance with NEC.
For supply connections, use 16 AWG or larger wires rated for at least 90°C (194°F).
Use copper conductors only.

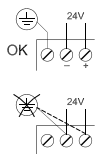


Warning

Ensure power is disconnected before adding or removing Modules

4 x stepper valve output 8 x AI

The terminals "+" and "-" and must **not** be earthed.



Danfoss 80295313

Separate power supply to AK-XM 208C:

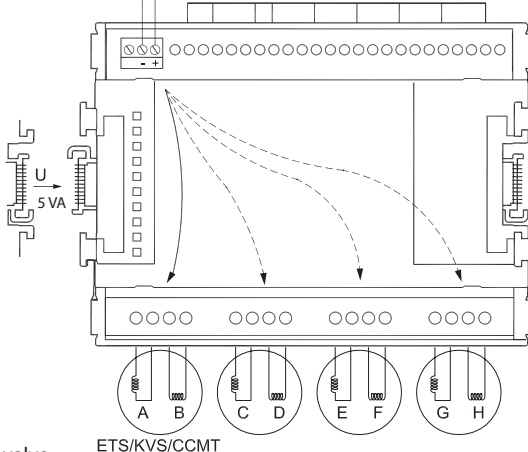
24 V a.c. / d.c. +/- 20%

xx VA

xx = Eg: 7.8 + (4 x 1.3) = 13 VA ⇒ AK-PS 075

xx = Eg: 7.8 + (4 x 5.1) = 28.2 VA ⇒ AK-PS 150

AI
Max. 10 V



Output:

24 V d.c.
20-500 step/s
I_{max} = 325 mA RMS / valve
Σ P_{out} = max. 21 VA

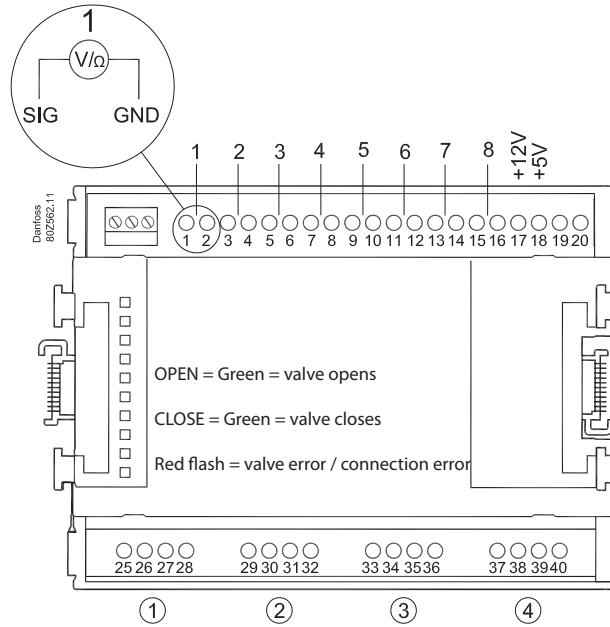
ETS/KVS/CCMT

The connection to the valve must not be broken using a relay

Valve data	
Type	P
ETS 12.5 - ETS 400	1.3 VA
KVS 15 - KVS 42	
CCMT 2 - CCMT 8	
CCM 10 - CCM 40	
CTR 20	
CCMT 16 - CCMT 42	5.1 VA

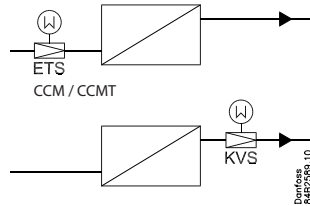
L = max. 30 m. (Filter AKA 211 must not be used.)

Point



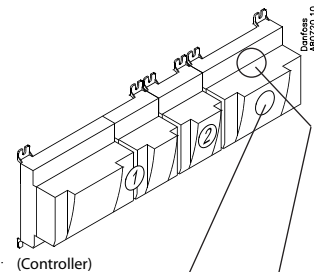
Terminal 17: 12V
 Terminal 18: 5V
 Terminal 19, 20:

The screen on the pressure transmitter cables must only be connected at the end of the module.

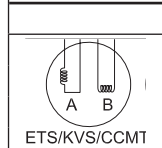


Step / Terminal	1	25	26	27	28
	2	29	30	31	32
3	33	34	35	36	
4	37	38	39	40	
ETS					
CCM / CCMT					
CTR	White	Black	Red	Green	
KVS 15					
KVS 42-54					

	Signal	Signal type
S (sensor) Pt 1000 ohm/0°C 	S1 S2 Saux1 Saux2 SSA SdA	Pt 1000
P (pressure) AKS 32R AKS 2050 AKS 32 	P0A P0B PcA PcB Paux	AKS 32R AKS 2050 MBS 8250 -1 - xx bar AKS 32 -1 - zz bar
U (voltage) 	...	0 - 5V 0 - 10V
On/Off 	Ext. Main switch Day/Night Door	Active at: Closed / Open



Signal	Signal type / Active at	Module	Point	Terminal
			1 (AI 1)	1 - 2
			2 (AI 2)	3 - 4
			3 (AI 3)	5 - 6
			4 (AI 4)	7 - 8
			5 (AI 5)	9 - 10
			6 (AI 6)	11 - 12
			7 (AI 7)	13 - 14
			8 (AI 8)	15 - 16
			9 (Step 1)	25 - 28
			10 (Step 2)	29 - 32
			11 (Step 3)	33 - 36
			12 (Step 4)	37 - 40



The Product contains electrical components
 And may not be disposed together with domestic waste.
 Equipment must be separate collected with Electrical and Electronic waste. According to Local and currently valid legislation.

ADAP-KOOL®