



REFRIGERATION AND AIR CONDITIONING

# Instructions

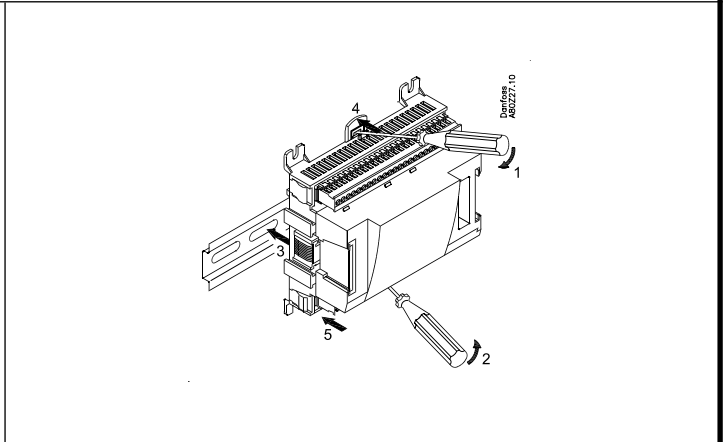
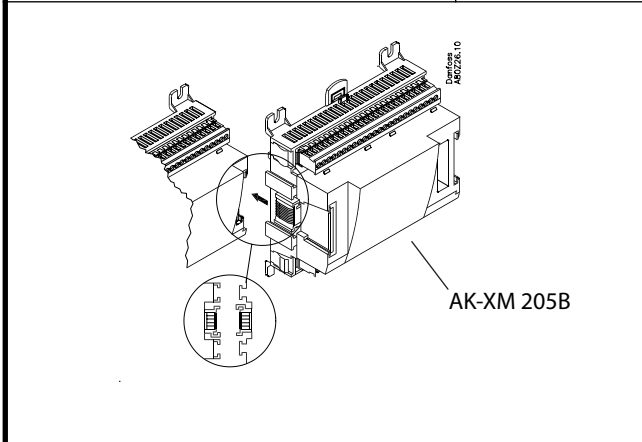
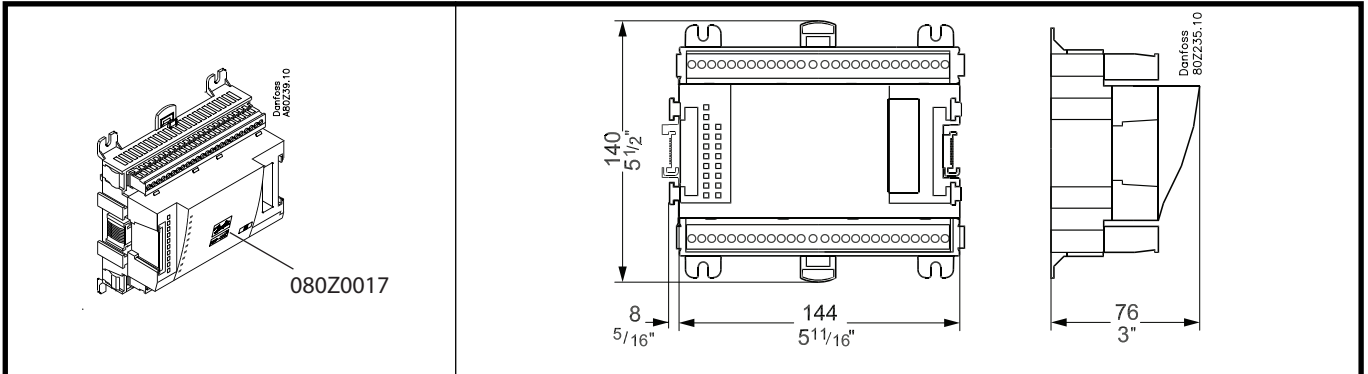
## AK-XM 205B



080R9218



RI8HM602



CE

-20°C <math>t\_{amb}</math> <math>< 55^{\circ}\text{C}</math> 17  
 -0°F <math>t\_{amb}</math> <math>< 130^{\circ}\text{F}</math>  
 0 - 95% RH, non condensing  
 IP10 / VBG4  
 UL: E357029



### Warning

Ensure power is disconnected before adding or removing Modules

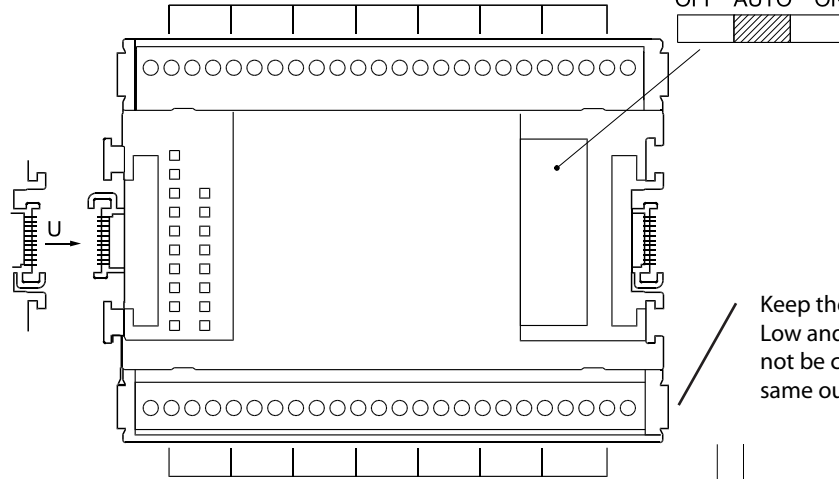
AI x 8  
DO x 8

Danfoss  
80Z40.11

AI

max. 10 V

OFF AUTO ON

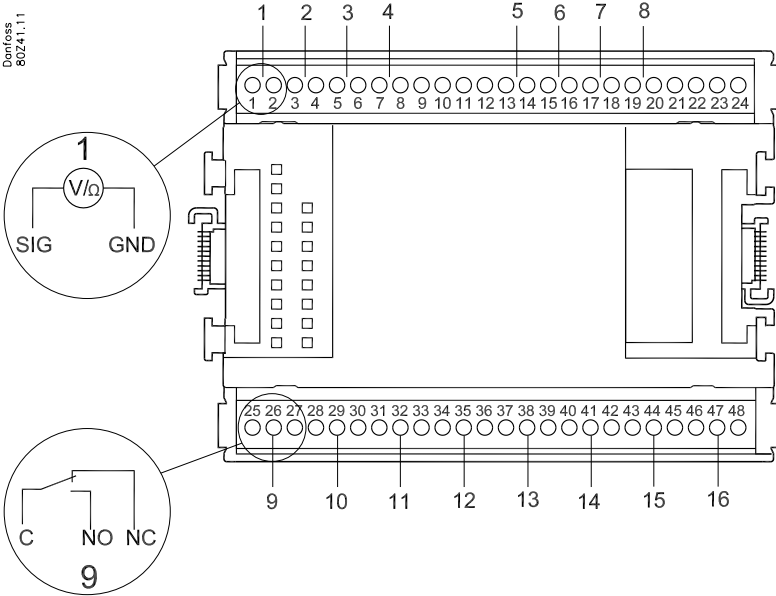


Keep the safety distance  
Low and high voltage must not be connected to the same output group

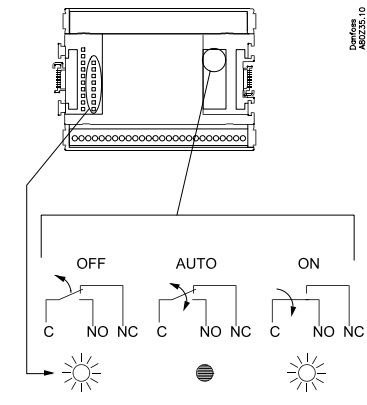
Max. 230 V  
AC-1: max. 4 A (ohmic)  
AC-15: max. 3 A (Inductive)

**Point**

Danfoss  
80241.11



**Override (off / Auto / on)**

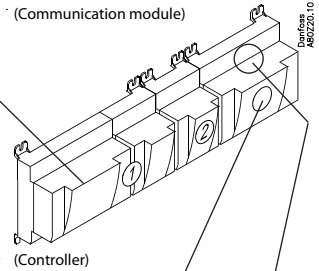
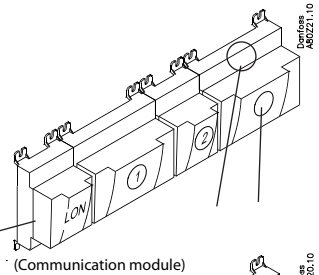
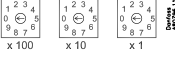


Danfoss  
A0235.10

Terminal 9: 12 V  
Terminal 10: 5 V  
Terminal 21: 12 V  
Terminal 22: 5 V  
Terminal 11, 12, 23, 24 : 6

	Signal	Signal type
<b>S (sensor)</b> Pt 1000 ohm/0°C 	S1 S2 Saux1 Saux2 SSA SdA	Pt 1000
<b>P (pressure)</b> AKS 32R AKS 2050  AKS 32 	POA POB PcA PcB Paux	AKS 32R AKS 2050 MBS 8250 -1 - xx bar  AKS 32 -1 - zz bar
<b>U (voltage)</b> 	...	0 - 5 V 0 - 10 V
<b>On/Off</b>  Ext. Main switch Day/Night Door		<b>Active at:</b> Closed / Open
<b>DO</b> 	Comp 1 Comp 2 Fan 1 Alarm	<b>Active at:</b> ON / OFF

**Address**



Signal	Signal type / Active at	Module	Point	Terminal
			1 (AI 1)	1 - 2
			2 (AI 2)	3 - 4
			3 (AI 3)	5 - 6
			4 (AI 4)	7 - 8
			5 (AI 5)	13 - 14
			6 (AI 6)	15 - 16
			7 (AI 7)	17 - 18
			8 (AI 8)	19 - 20
			9 (DO 1)	25-26-27
			10 (DO 2)	28-29-30
			11 (DO 3)	31-32-33
			12 (DO 4)	34-35-36
			13 (DO 5)	37-38-39
			14 (DO 6)	40-41-42
			15 (DO 7)	43-44-45
			16 (DO 8)	46-47-48

The Product contains electrical components  
And may not be disposed together with domestic waste.  
Equipment must be separate collected with Electrical and Electronic waste. According to Local and currently valid legislation.