

Installation guide

# Thermostatic expansion valve

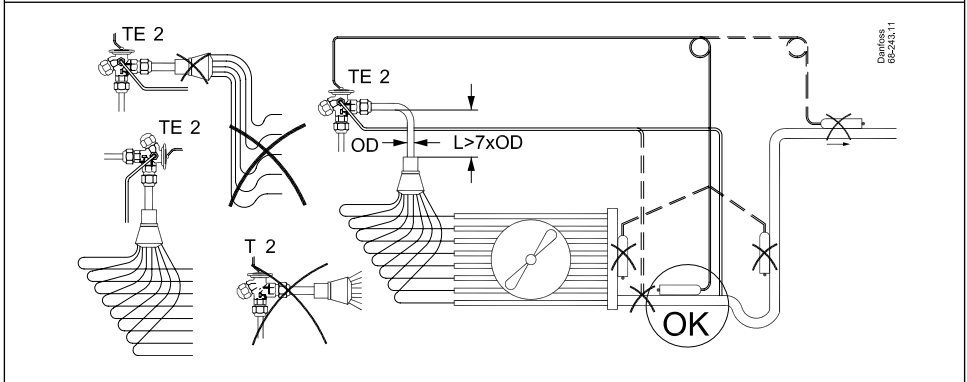
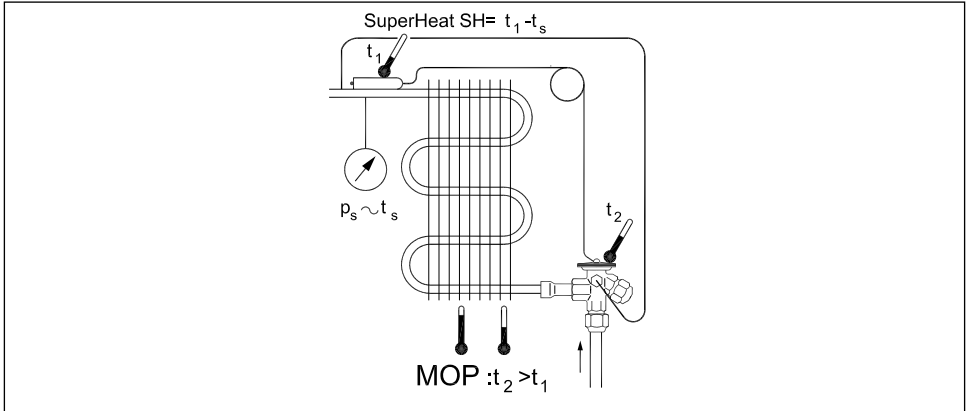
## Type T 2 / TE 2

068R9536



068R9536





SH= SuperHeat

N,B	$N_{MOP}, B_{MOP}$ NM,NL
4°C (7°F)	4°C (7°F)

Danfoss 68Z15,14

SH= SuperHeat

1

Stop

SH= SuperHeat

2

N,B	$N_{MOP}, B_{MOP}$ NM,NL
$\sim 2-3$ $\times 360^\circ$	$\sim 1,5 - 2$ $\times 360^\circ$

SuperHeat SH= $t_1 - t_s$

$t_1$

$p_s \sim t_s$

360°

$\Delta SH / 360^\circ$

N, $N_{MOP}$ NM, NL	$\sim 4^\circ\text{C}$ (7°F)
B, $B_{MOP}$	$\sim 8^\circ\text{C}$ (14°F)

Temperature ranges:

N = -40 - 10 °C / -40 - 60 °F

NM = -40 - 5 °C / -40 - 25 °F

NL = -40 - 15 °C / -40 - 5 °F

B = -60 - 25 °C / -75 - 15 °F

Danfoss 68Z20,14