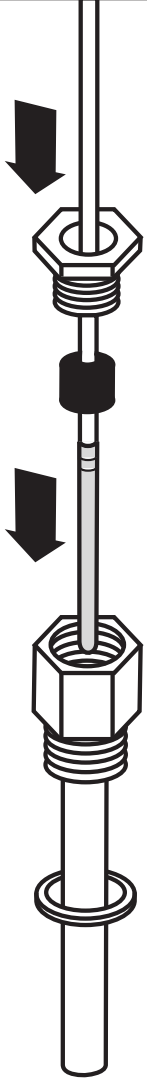
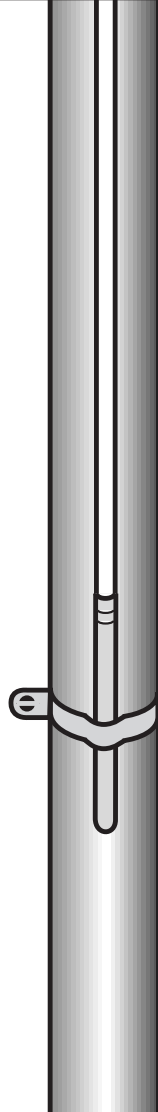
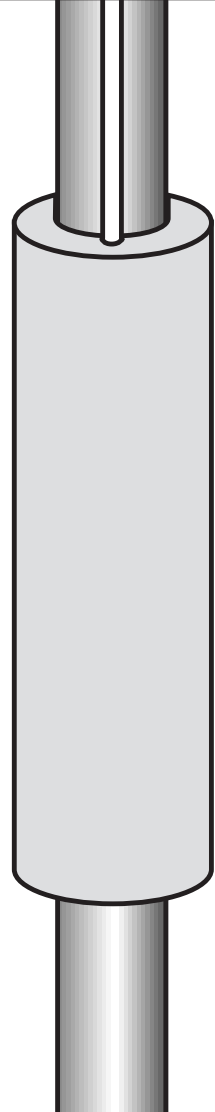


Instructions

ESM-12

<p>1</p> 	<p>2</p> 	<p>3</p> 	<p>4</p> <table border="1"><thead><tr><th></th><th>3,85ohm/K</th></tr></thead><tbody><tr><td>Ohm</td><td>°C</td></tr><tr><td>1000</td><td>0</td></tr><tr><td>1097,3</td><td>25</td></tr><tr><td>1194,0</td><td>50</td></tr><tr><td>1289,8</td><td>75</td></tr><tr><td>1385,0</td><td>100</td></tr></tbody></table>		3,85ohm/K	Ohm	°C	1000	0	1097,3	25	1194,0	50	1289,8	75	1385,0	100
	3,85ohm/K																
Ohm	°C																
1000	0																
1097,3	25																
1194,0	50																
1289,8	75																
1385,0	100																