

Data sheet

## Test valve for pressure cartridge transmitters Type MBV 3000



The MBV 3000 test valve is designed for test of the Danfoss cartridge pressure transmitters within the marine industry. The main advantage is the ability to test the operating transmitter through the test connection. A built-in shut-off valve gives the possibility to maintain transmitter without having to drain the system. After the transmitter is tested, the valve is manually re-opened and the transmitter is again connected to the system.

### Features

- Compact design
- Direct connection into the measuring point
- Possible to position in all directions
- Flexible because transmitter and test coupling can replace each other
- Fast and easy to operate

## Data sheet | Test valve for pressure cartridge transmitters, type MBV 3000

### Technical data

#### Performance (EN 60770)

Operating pressure	0 – 120 bar
Burst pressure	480 bar (4 x Max. Working Pressure)
Service life	10 years

#### Environmental conditions

Operation temperature range	-20 – 120 °C (IEC 60068-2-1, IEC 60068-2-2)		
Vibration stability	Sinusoidal	20 g, 5 Hz – 2 kHz	IEC 60068-2-6
	Random	7.5 g <sub>rms</sub> , 18 Hz – 1 kHz	IEC 60068-2-64
Shock resistance	Half sinusoidal	100 g / 6 ms	IEC 60068-2-27
	Half sinusoidal	500 g / 1 ms	IEC 60068-2-27
Fluids	Air, water, lubricating oil, heavy and light fuel oil, sea water <sup>1)</sup>		

<sup>1)</sup> For sea water only stainless steel version should be used

#### Mechanical characteristics

Materials	Valve body and inner screw bolt	Anodised AlMgSi1 F28-32/3.2315/EN AW-6082 Stainless steel 1.4401
	Nipple, union nut, spindle	AISI 316/1.4401/SUS 316
	Ball	AISI 316L/1.4404/SUS 316L
	Marking plate	AISI 304/1.4301/SUS 304
	Grooved pins	1.4305/EN 10088-3
	Seeger circlip ring	1.4122/EN 10088-2
	Seats	PEEK
	O-rings/ gaskets	FKM (Viton)
Weight	0.29 / 0.508 *) kg	

\*) stainless steel version

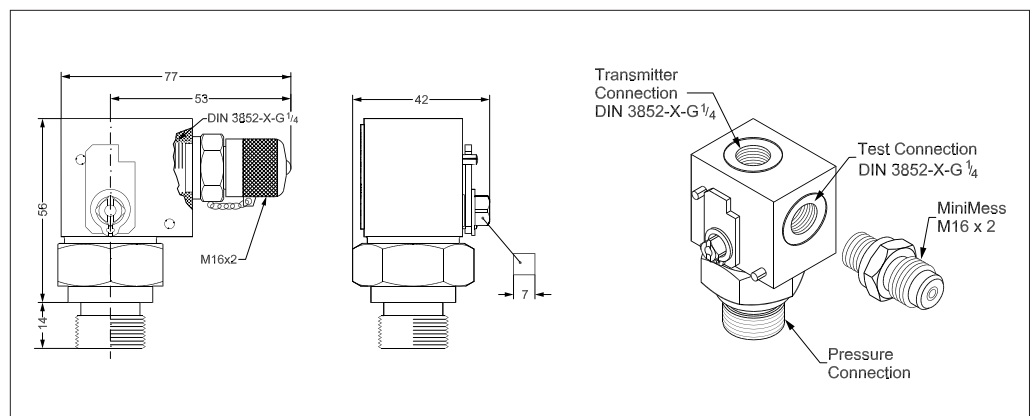
### Specification and code nos for standard

Type	Pressure range	Pressure connection	Transmitter connection	Test connection	Code no.
	[bar]				
MBV 3000-11	0 – 120	DIN 3852-E-G 1/2	DIN 3852-X-G 1/4	Yes	061B6100
MBV 3000-11S	0 – 120	DIN 3852-E-G 1/2	DIN 3852-X-G 1/4	Yes	061B6110

**Ordering standard**

<b>MBV 3000</b>	X	X
<b>Pressure connection</b>		
G 1/2 (DIN 3852-E)	1	
Others	X	
<b>Test connection (MiniMess)</b>		
Yes		1
No		2

**Dimensions / Combinations**



Danfoss can accept no responsibility for possible errors in catalogues, brochures and other printed material. Danfoss reserves the right to alter its products without notice. This also applies to products already on order provided that such alterations can be made without consequential changes being necessary in specifications already agreed. All trademarks in this material are property of the respective companies. Danfoss and the Danfoss logotype are trademarks of Danfoss A/S. All rights reserved.