



REFRIGERATION AND AIR CONDITIONING

Instructions



080R9337

Replace of old AK-XM 208B with AK-XM 208C



RI8SS102

Info

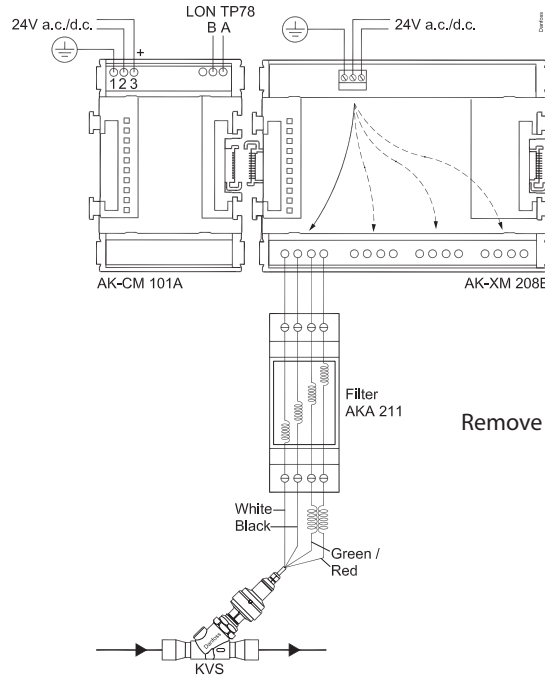
- AK-XM 208C can be used as spare part for AK-XM 208B.
- AK-XM 208C opens and closes opposite the AK-XM 208B.
- There is no need to change settings.



Warning

Ensure power is disconnected before adding or removing Modules

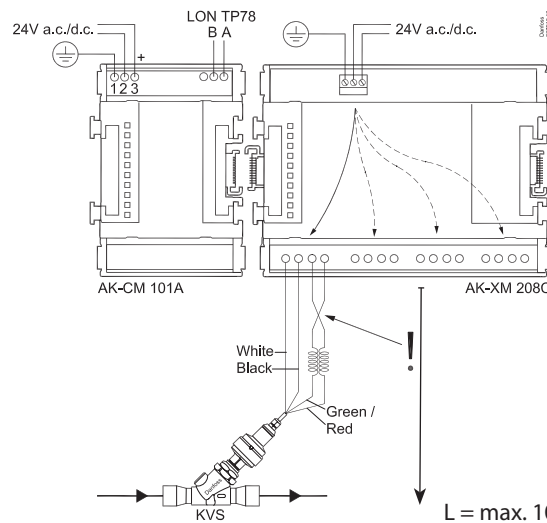
Old installation with AK-XM 208B



Remove AK-XM 208B

Remove the filter AKA 211 if installed

New connections with AK-XM 208C



Filter AKA 211 must **not** be used.

Assure correct function by swapping two wires.

27 ↔ 28

31 ↔ 32

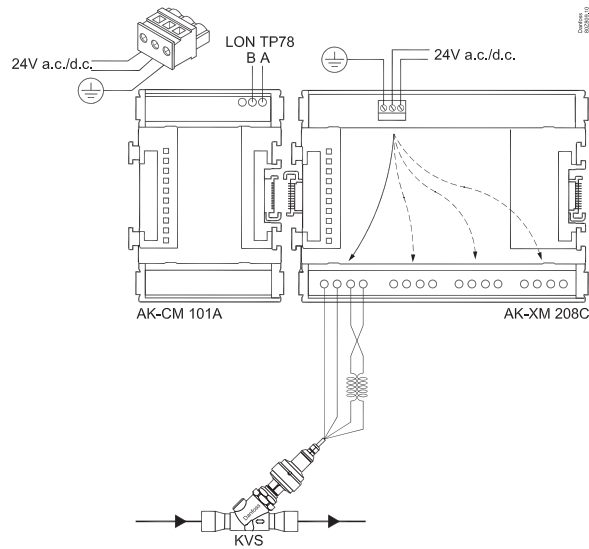
35 ↔ 36

39 ↔ 40

L = max. 100 feet. (30 m)

Check the correct open/close function

1. Remove the power supply to the communication module AK-CM 101A



2. Check the valve is closing
(If it is already closed, it will remain closed)

3. Connect the power supply again.
By reconnecting power to the AK-CM 101A module the stepper module start calibrating the valve to closed position.
If wires are wrongly connected the valve is opening to 100%.



The Product contains electrical components
And may not be disposed together with domestic waste.
Equipment must be separate collected with Electrical and Electronic waste. According to Local and currently valid legislation.