

avrorra-arm.ru
+7 (495) 956-62-18

ENGINEERING
TOMORROW

Danfoss

Data sheet

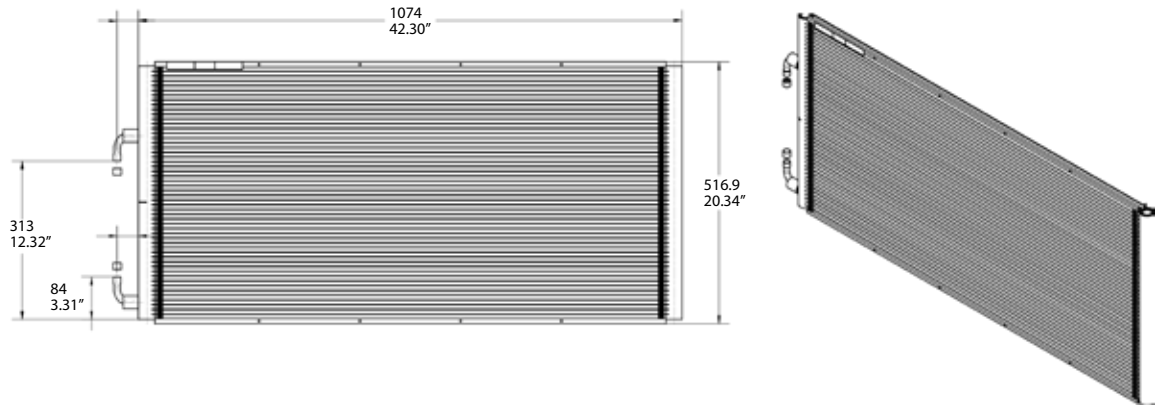
MicroChannel Heat Exchanger For increased savings

D1500-C MCHE Condenser

60%

Lower weight than a
copper fin and tube
coil - for easy
handling and reduced
shipping costs

D1500-C Condenser coil MicroChannel Heat Exchanger



Introduction

This product is ideal for use in many different applications, such as chillers and commercial split/roof tops. MCHEs have an ingeniously simple all-aluminum design that is not only lightweight but also prevents galvanic corrosion. The refrigerant-carrying tubes are formed to optimize heat transfer, enabling the production of more compact, but equally effective, cooling solutions. The smart louvered fin design maximizes surface contact, reducing the air-side pressure loss, improving efficiency and reducing noise levels.

Key features

- Reduce refrigerant system charge
- Cost - Less sensitive to fluctuations in raw material prices
- Improve efficiency – More compact/better COP/increased capacity
- Better corrosion characteristics due to all-aluminum design

Technical data

Model	Coil length	Coil height	Core depth	Fin pitch	Inlet ID diameter	Outlet ID diameter	Continuous operating temperature	Max. working pressure	Internal volume	Coil weight
D1500-C	1074 (mm) 42.3 (in)	517 (mm) 20.3 (in)	254 (mm) 1.0 (in)	1.1 (mm) 23 (FPI)	12.9 (mm) 0.51 (in)	12.9 (mm) 0.51 (in)	-40 °C / 121 °C -40 °F / 250 °F	45 (bar) 650 (psi)	1.15 (l) 70.18 (in ³)	6.5 (kg) 14.33 (lb)

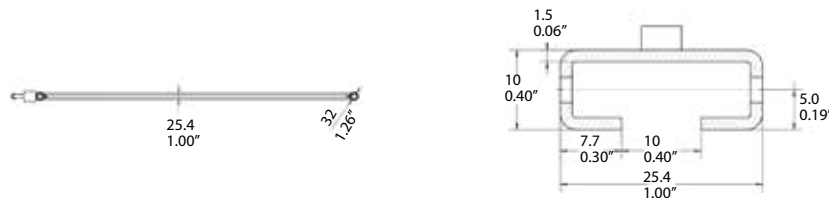
Material

Tube: AA3102
Fins: AA3003Mod clad with AA4343
Manifold: AA3003 clad with AA4045
Inlet/Outlet tubes: Cu
Side plate: AA3003

Mounting

Aluminum MCHEs expand and contract when exposed to big temperature changes. Installation supports/brackets must allow the MCHC to move in two dimensions.

Side plate cross section



Standard connections

The product is equipped with standard copper pipe connections for easy mounting. Never bend or stress the inlet/outlet connections during mounting, and design installations to avoid vibration in operation.

Bending

MicroChannel Heat Exchangers can easily be bent to fit in any application. Ask your local Danfoss Sales representative for advice.

Availability

Our local stocking and distribution network allows standard MCHEs to be delivered globally with short delivery times. Contact your local Danfoss sales representative for the standard lead times in your region.

Third-party approvals

PED Cat I
UL 207

Danfoss can accept no responsibility for possible errors in catalogues, brochures and other printed material. Danfoss reserves the right to alter its products without notice. This also applies to products already on order provided that such alterations can be made without consequential changes being necessary in specifications already agreed. All trademarks in this material are property of the respective companies. Danfoss and the Danfoss logotype are trademarks of Danfoss A/S. All rights reserved.