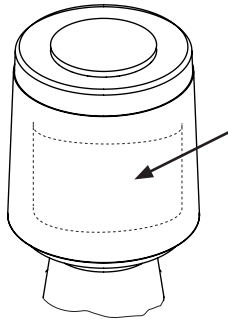


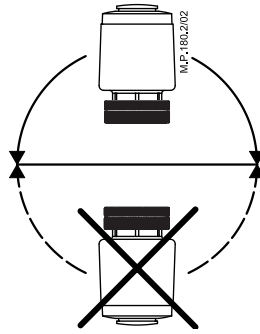
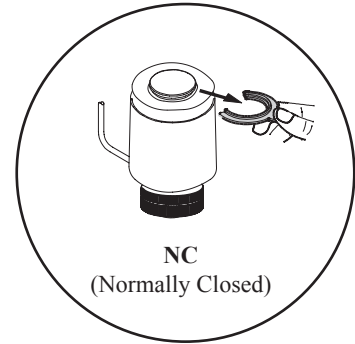
Operating Guide

TWA-Z (Gen. 2011)



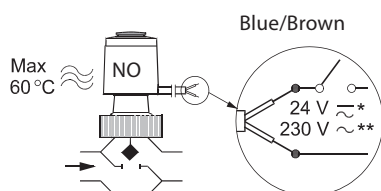
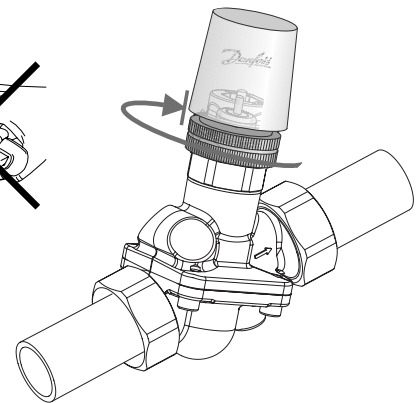
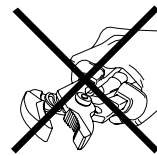
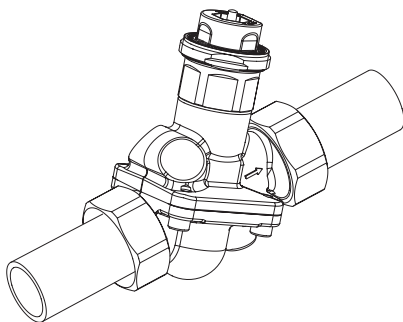
24 V
230 V
NO
NC

Class III transformer (SELV)
Max. 3 A pre-fuse
Normally Open
Normally Closed

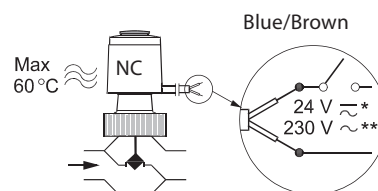


IP 41

TWA-Z & AB-QM



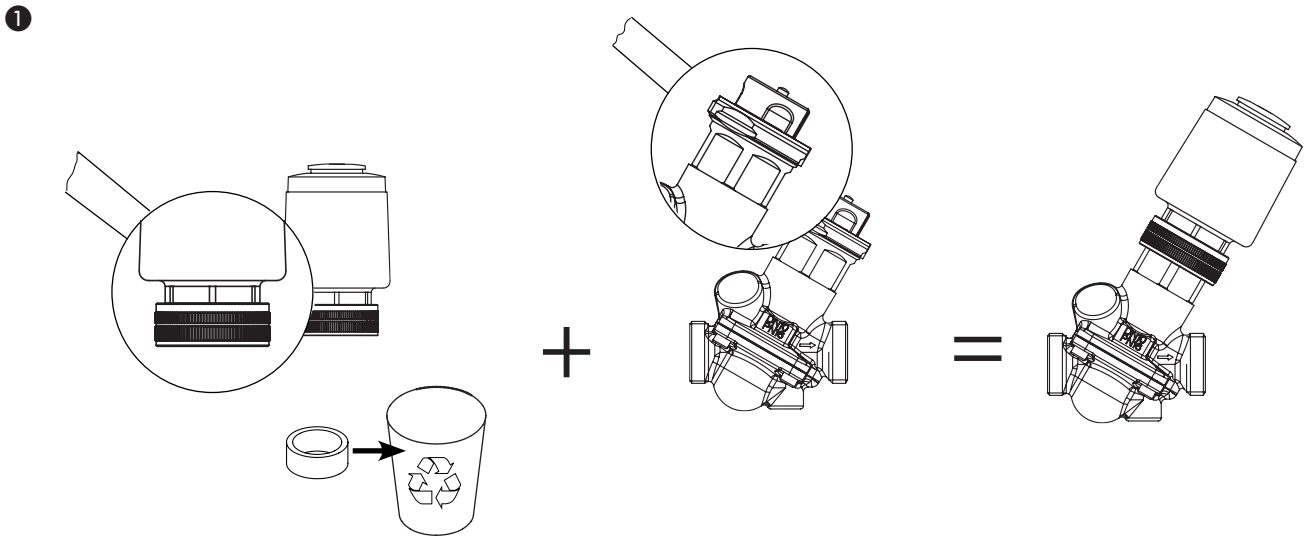
TWA-Z NO & AB-QM



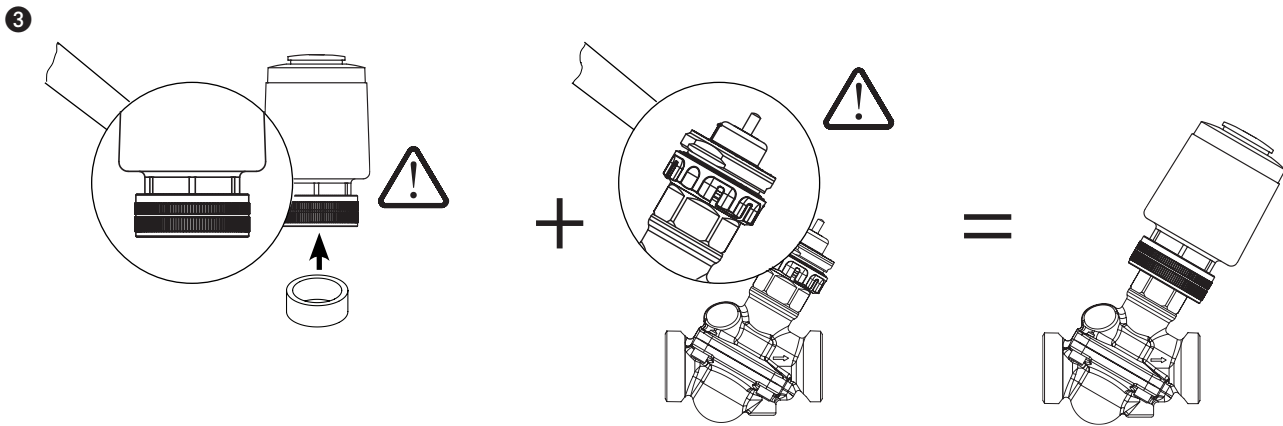
TWA-Z NC & AB-QM

TWA-Z

TWA-Z (Gen. 2011) & AB-QM (2nd gen.)



TWA-Z (Gen. 2011) & AB-QM (1st gen.)



Part Name 部件名称	Hazardous Substances Table/有害物质含量表					
	Pb/铅	Hg/汞	Cd/镉	Cr(VI)/六价铬	PBB/多溴联苯	PBDE/多溴二苯醚
Wax element / 石蜡恒温元件	X	O	O	O	O	O
O: Indicates that this hazardous substance contained in all of the homogeneous material for this part is below the limit requirement in GB/T 26572; O: 表示该有害物质在该部件所有均质材料中的含量均在GB/T 26572规定的限量要求以下。						
X: Indicates that this hazardous substance contained in at least one of the homogeneous material for this part is above the limit requirementw in GB/T 26572; X: 表示该有害物质至少在该部件的某一均质材料中的含量超出GB/T 26572规定的限量要求。						