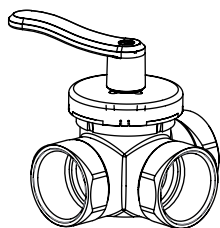


Operating Guide

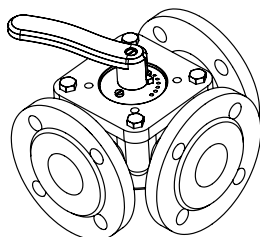
# HRB, HRE, HFE



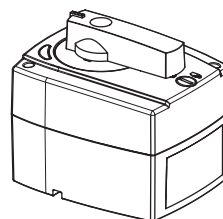
MAINTENANCE  
FREE



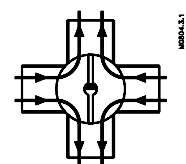
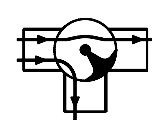
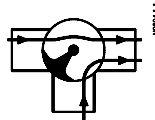
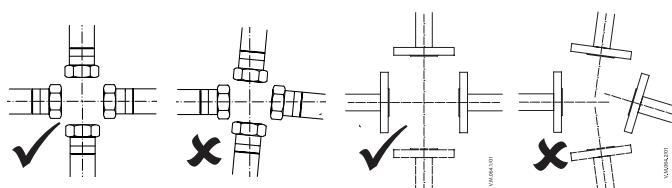
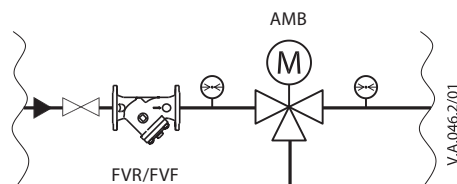
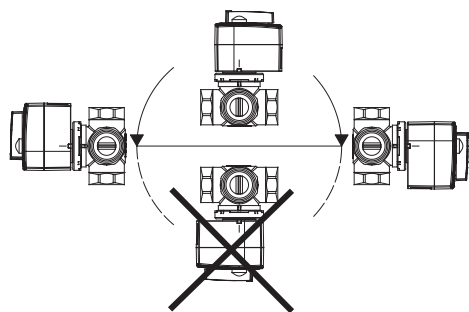
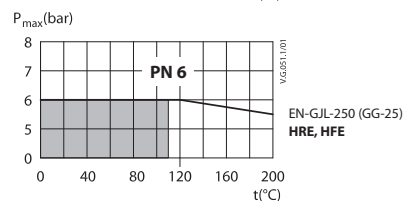
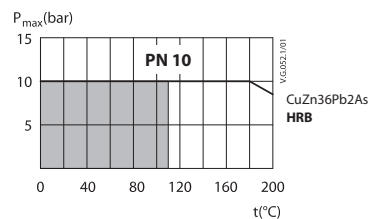
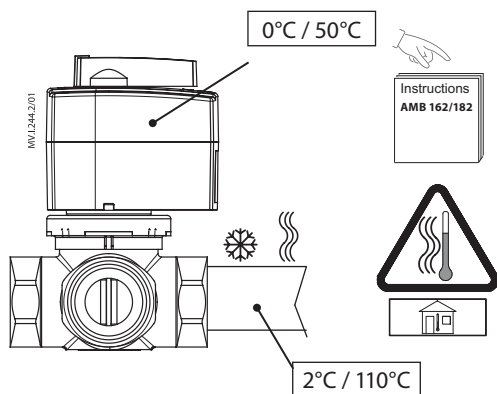
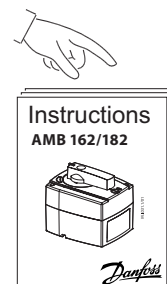
HRB 3, HRB 4 (DN 15-50)  
HRE 3, HRE 4 (DN 20-50)



HFE 3 (DN20-150)

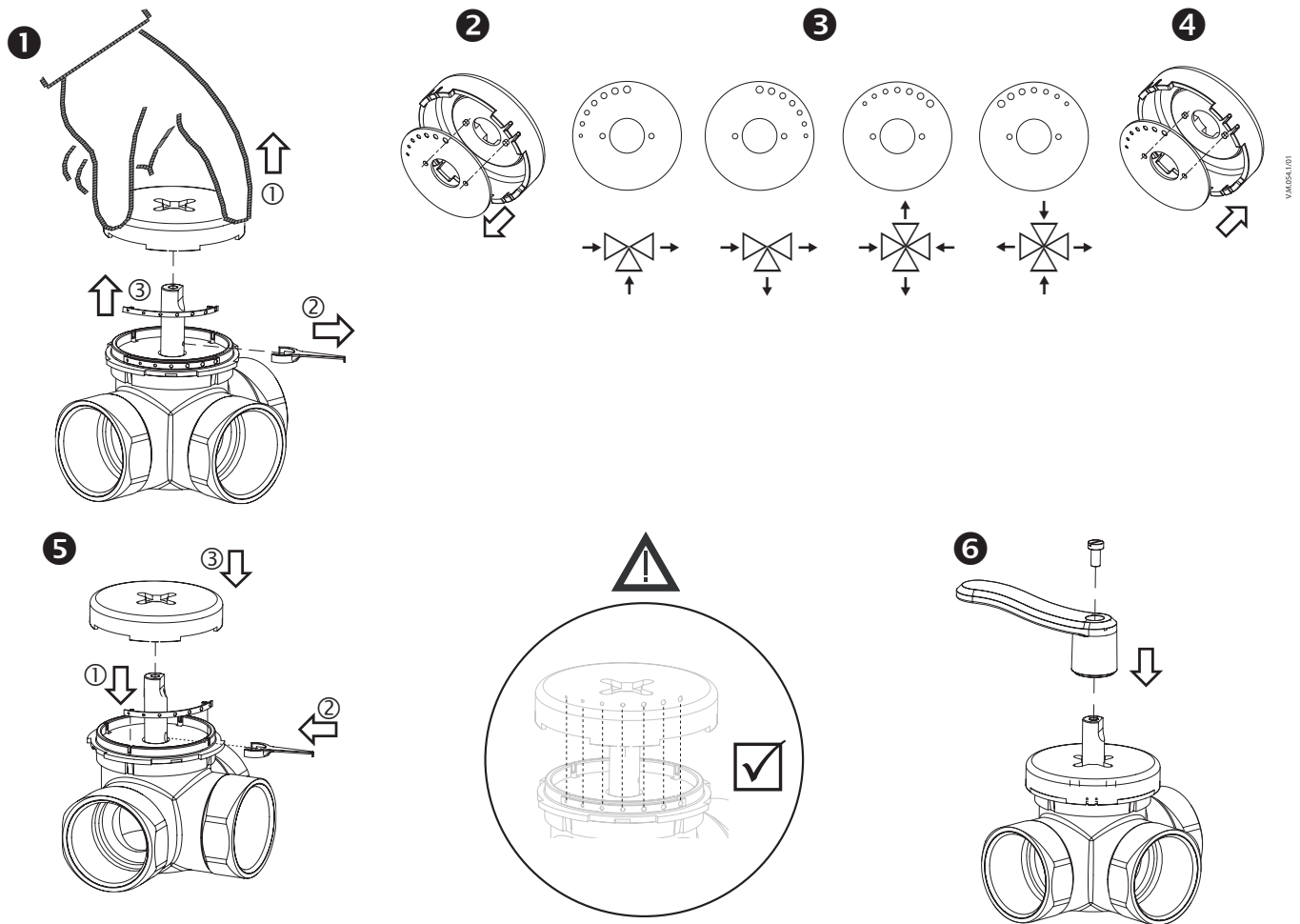


AMB 162/182

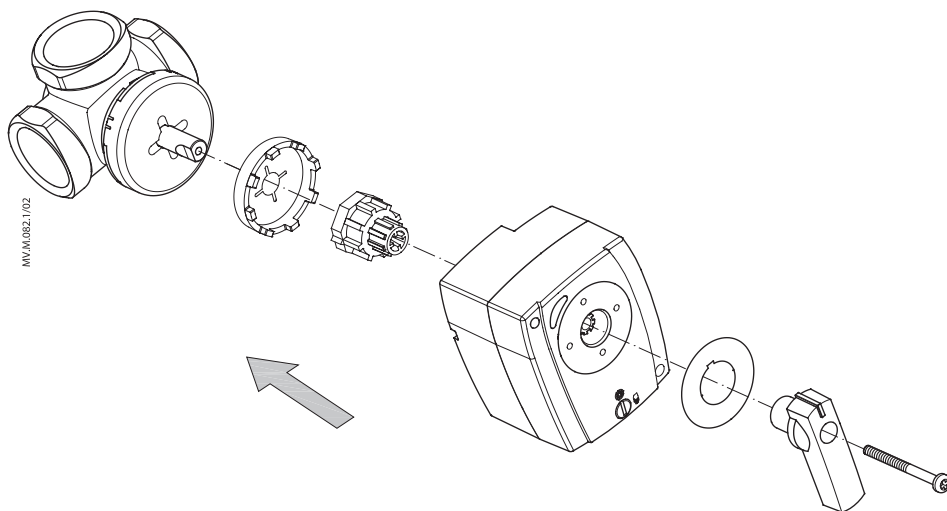


Product type

HRB, HRE

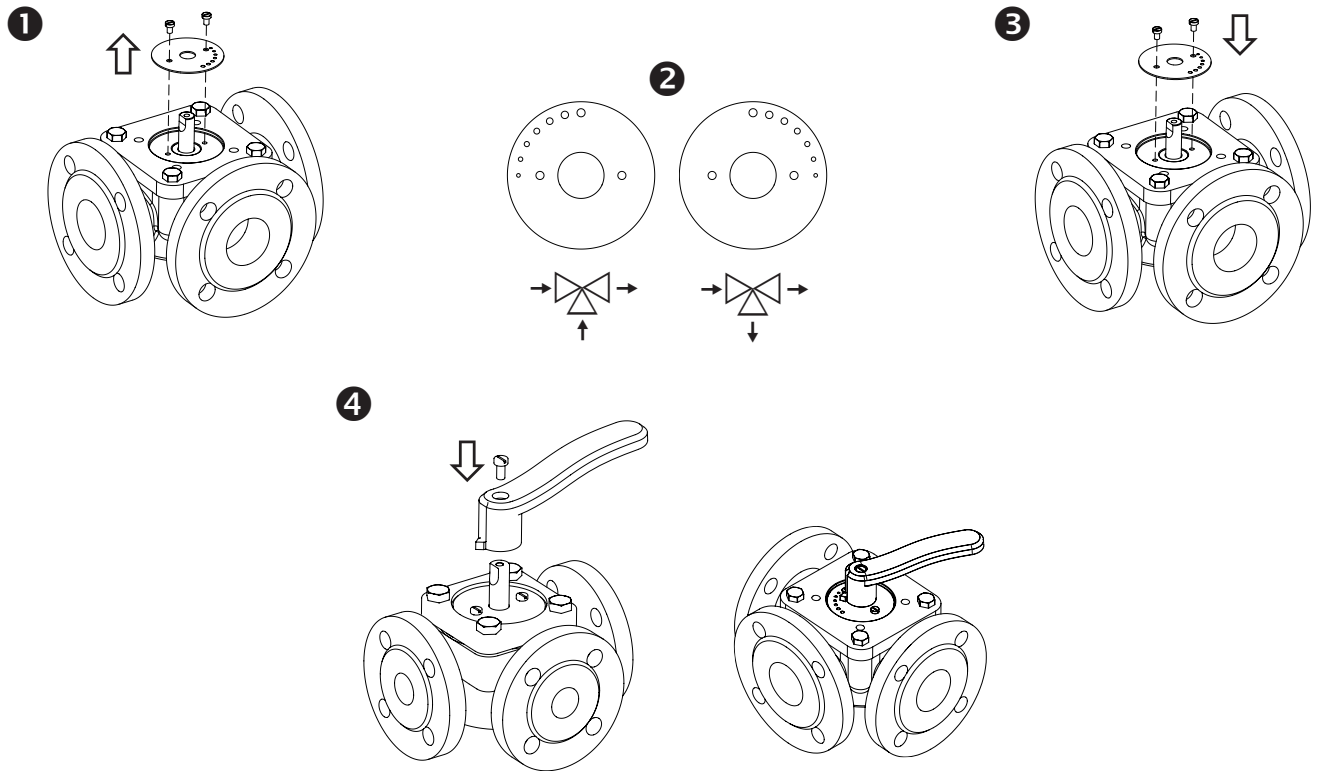


HRB, HRE + AMB 162/182

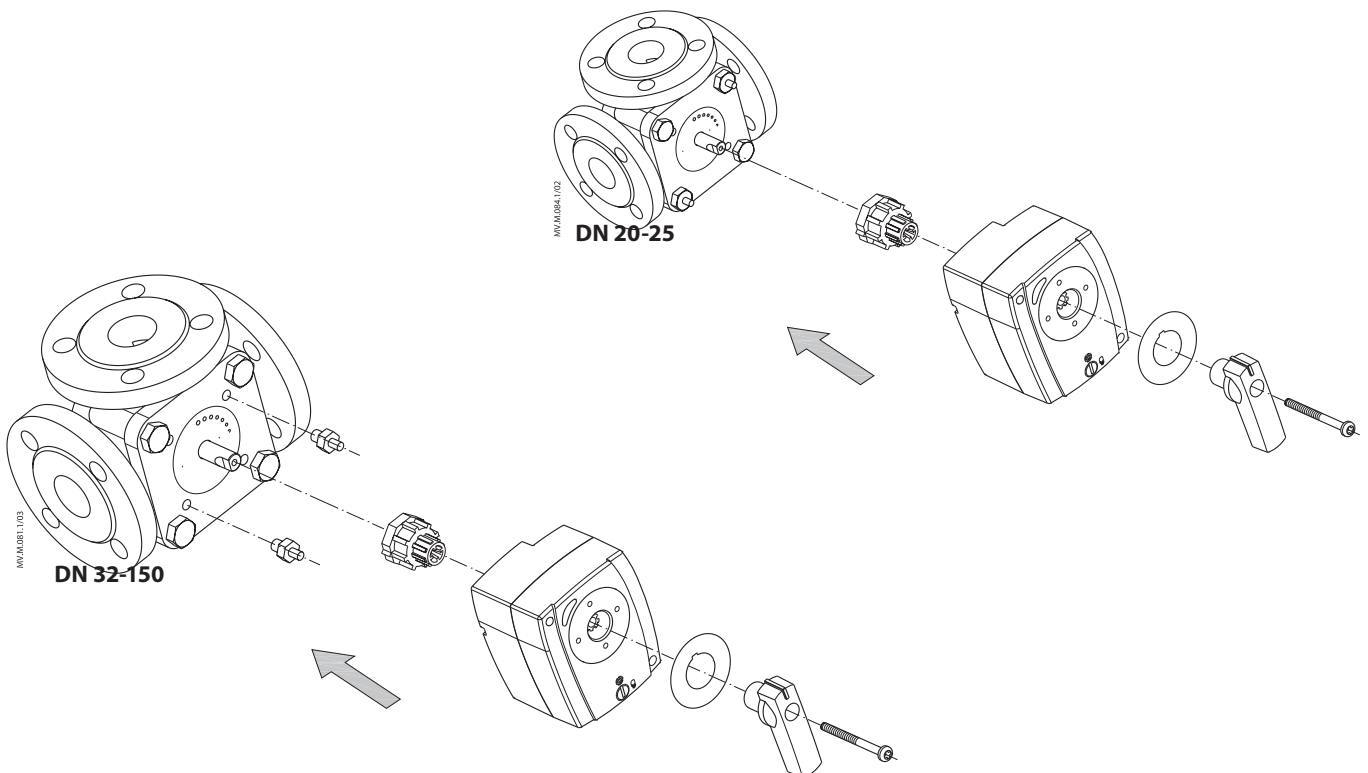


Product type

HFE

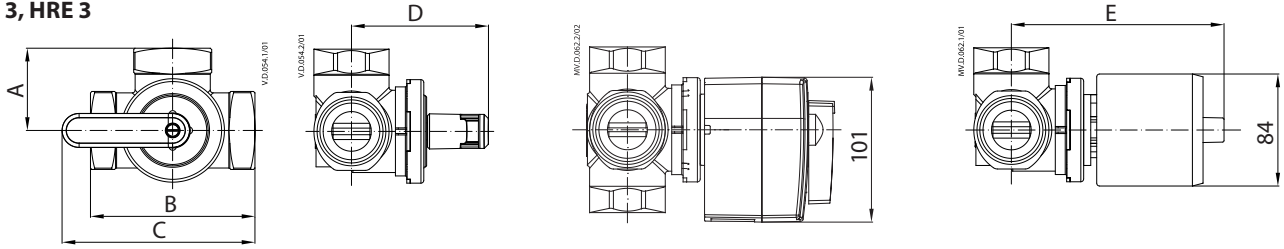


HFE + AMB 162/182

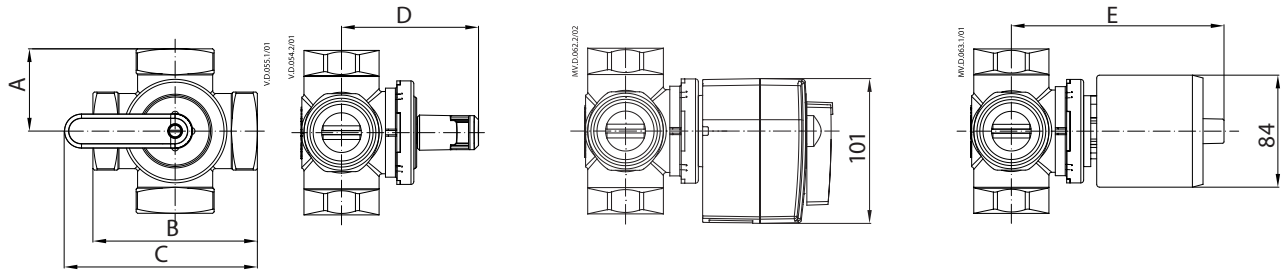


Product type

HRB 3, HRE 3



HRB 4, HRE 4



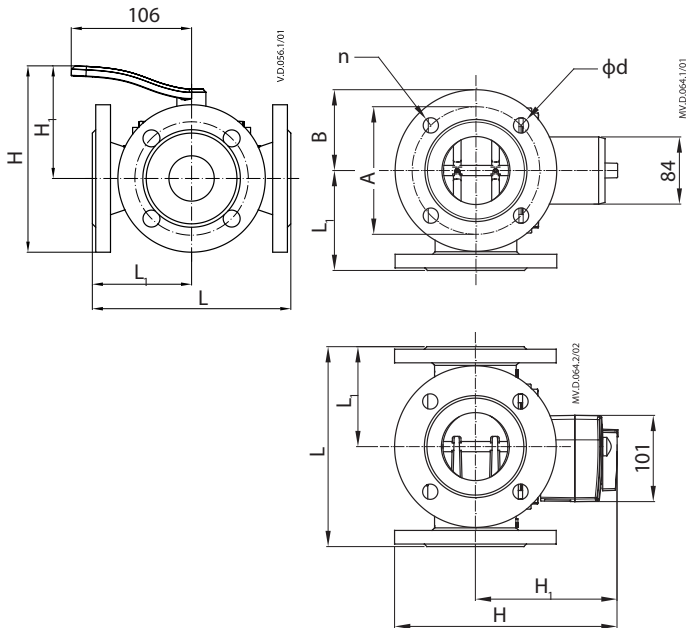
HRB 3, HRB 4

DN	A	B	C	D	E	Connection	Actuator
	mm						
15	36	72	114	88	143	Rp 1/2"	AMB 162 AMB 182
20	36	72	114	88	143	Rp 3/4"	
25	41	82	119	92	147	Rp 1"	
32	47	94	125	97	152	Rp 1 1/4"	
40	58	116	136	97	152	Rp 1 1/2"	
50	62.5	125	140.5	103	158	Rp 2"	

HRE 3, HRE 4

DN	A	B	C	D	E	Connection	Actuator
	mm						
20	52.5	105	130.5	88	140	Rp 3/4"	AMB 162 AMB 182
25	54	108	132	92	144	Rp 1"	
32	57.5	115	135.5	102	154	Rp 1 1/4"	
40	60	120	138	102	154	Rp 1 1/2"	
50	78	156	156	108	160	Rp 2"	

HFE 3



HFE 3

DN	H	H <sub>1</sub>	L	L <sub>1</sub>	B	DC	φd	n	Actuator
	mm								
20	131	140	140	70	45	65	11,5	4	AMB 162 AMB 182
25	136	140	150	75	50	75	11,5	4	
32	152	146	160	80	60	90	15	4	
40	157	146	175	88	65	100	15	4	
50	171	155	195	98	70	110	15	4	AMB 182
65	181	155	200	100	80	130	15	4	
80	208	167	235	118	95	150	18	4	
100	228	177	265	133	105	170	18	4	
125	253	187	300	150	120	200	18	8	
150	271	192	350	175	133	225	18	8	

Danfoss A/S

Heating Segment • heating.danfoss.com • +45 7488 2222 • E-Mail: heating@danfoss.com

Danfoss can accept no responsibility for possible errors in catalogues, brochures and other printed material. Danfoss reserves the right to alter its products without notice. This also applies to products already on order provided that such alterations can be made without consequential changes being necessary in specifications already agreed. All trademarks in this material are property of the respective companies. Danfoss and all Danfoss logotypes are trademarks of Danfoss A/S. All rights reserved.