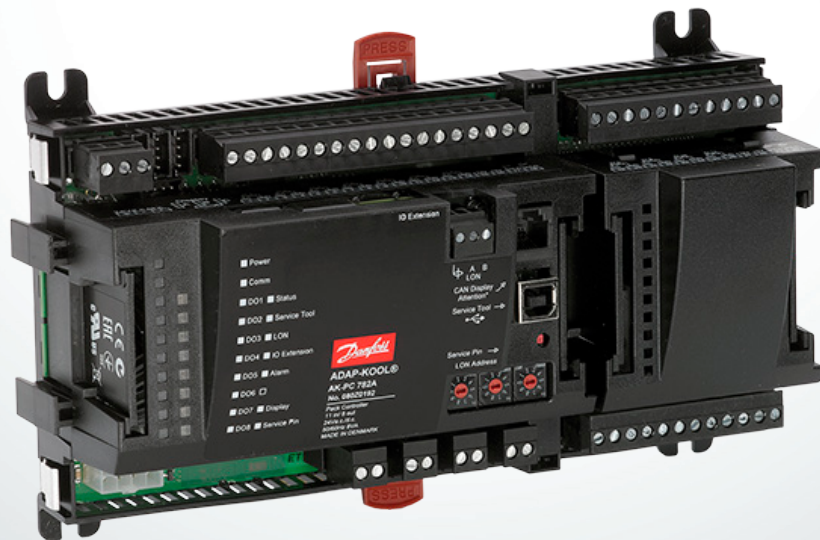


User Guide

# Capacity controller for transcritical CO<sub>2</sub> booster control AK-PC 782A

ADAP-KOOL® Refrigeration control systems



## Contents

<b>1. Introduction</b>	
Application.....	3
Principles .....	4
<b>2. Design of a controller</b>	
Module survey.....	7
Common data for modules.....	10
Controller.....	11
Extension module AK-XM 101A.....	13
Extension module AK-XM 102A / AK-XM 102B .....	15
Extension module AK-XM 103A.....	17
Extension module AK-XM 204A / AK-XM 204B .....	19
Extension module AK-XM 205A / AK-XM 205B .....	21
Extension module AK-XM 208C.....	23
Extension module AK-OB 110.....	25
Extension module EKA 163B / EKA 164B.....	26
Graphic display MMIGRS2 .....	26
Power supply module AK-PS 075 / 150 / 250 .....	27
Communication module AK-CM 102.....	28
Preface to design .....	29
Design of a compressor and condenser control .....	31
Ordering .....	39
<b>3. Mounting and wiring</b>	
Mounting.....	40
Wiring .....	42
<b>4. Configuration and operation</b>	
Configuration.....	45
Connect PC .....	45
Authorization .....	47
Unlock the configuration of the controllers.....	48
System set-up.....	49
Set plant type.....	50
Set control of suction group MT.....	51
Set oil management .....	56
Set up control of condenser fans.....	57
Set-up of high pressure control.....	59
Set up control of receiver pressure .....	60
Receiver pressure difference control "DeltaP" .....	61
Set up control of heat recovery .....	62
Set up KPI.....	64
Set up Display .....	65
Set-up Functions for General purpose.....	66
Separate thermostats.....	67
Separate pressostats.....	67
Separate voltage signals .....	68
Separate alarm inputs.....	68
Separate PI functions .....	69
Configuration of inputs and outputs.....	70
Set alarm priorities .....	72
Lock configuration .....	74
Check configuration .....	75
Check of connections .....	77
Check of settings .....	79
Schedule function .....	81
Installation in network.....	82
First start of control .....	83
Start the control .....	84
Manual capacity control.....	85
<b>5. Regulating functions</b>	
Suction group.....	86
Capacity control of compressors .....	87
Capacity distribution methods.....	89
Power pack types – compressor combinations.....	90
Compressor timers.....	94
Compressor with variable capacity.....	94
Load shedding.....	95
Injection ON.....	96
Liquid injection in common suction line .....	96
Safety functions.....	98
Oil management.....	100
Condenser / Gas cooler.....	102
Capacity control of condenser.....	102
Reference for condensing pressure .....	102
Capacity distribution .....	104
Condenser couplings.....	105
Safety functions for condenser .....	105
CO <sub>2</sub> transcritical system and heat recovery .....	106
Circuit for heat recovery or hot tap water .....	107
Circuit for recovery for heating.....	108
Circuits for control of CO <sub>2</sub> gas pressure .....	112
Ejector control .....	114
Receiver control .....	118
Parallel compression.....	119
General monitoring functions.....	120
Miscellaneous .....	122
KPI calculations .....	126
Appendix A – Compressor combinations and coupling patterns.....	127
Appendix B - Alarm texts.....	132

## 1. Introduction

### Application

AK-PC 782A are complete regulating units for capacity control of compressors and condensers in a transcritical CO<sub>2</sub> booster system with parallel compressor. The controller is with oil management, heat recovery function and CO<sub>2</sub> gas pressure control.

In addition to capacity control, the controllers can give signals to other controllers about the operating condition, e.g. forced closing of expansion valves, alarm signals and alarm messages.

The controller's main function is to control compressors and condensers so that operation all the time takes place at the energy-optimum pressure conditions. Both suction pressure and condensing pressure are controlled by signals from pressure transmitters.

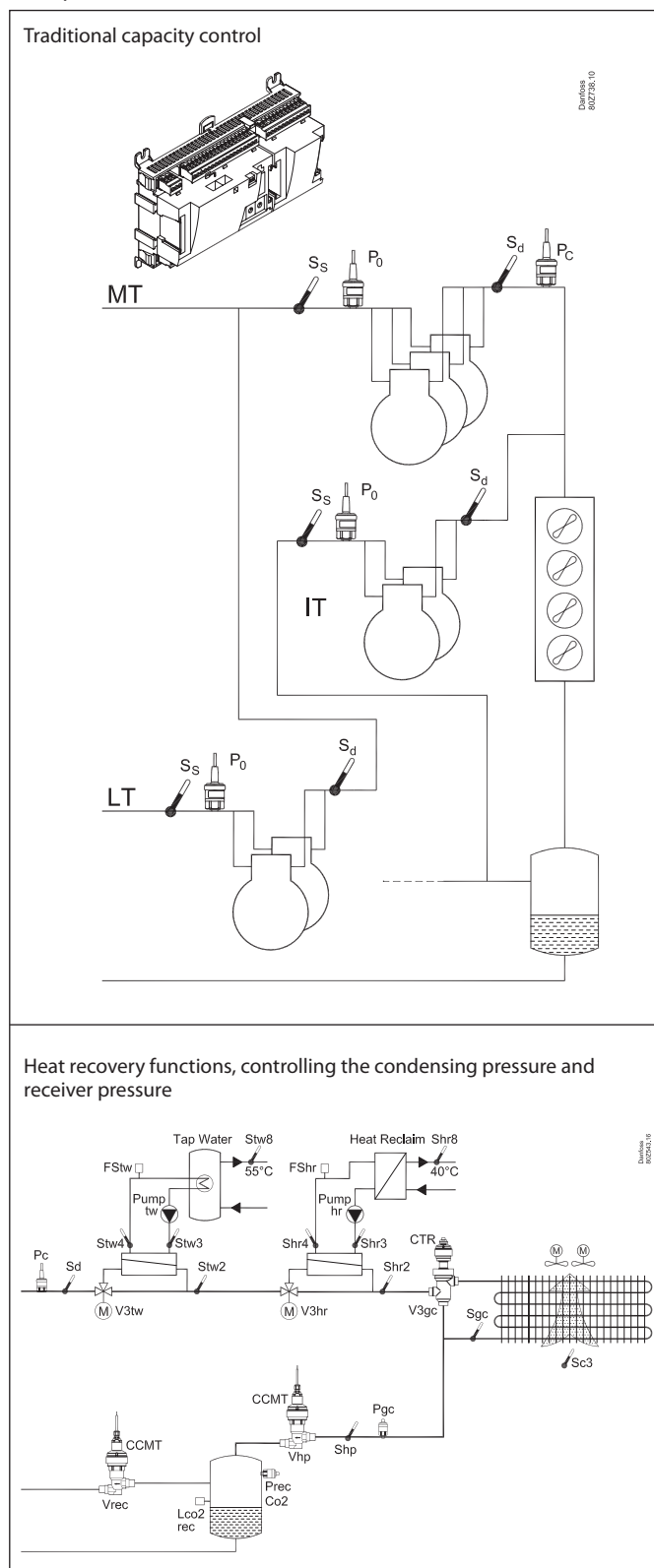
Capacity control must be carried out by suction pressure P<sub>0</sub>. (The P<sub>0</sub> signal for the parallel compressor is supplied by the pressure transmitter on the receiver).

Among the different functions are:

- Capacity control of up to 8 compressors distributed on MT and IT
- Capacity control of up to 4 compressors on LT
- Up to 3 unloaders for each compressor
- Control of oil separator and oil receiver
- Speed control of one or two compressors in each group
- Up to 6 safety inputs for each compressor
- Option for capacity limitation to minimize consumption peaks
- If the compressor does not start, signals can be transmitted to other controllers so that the electronic expansion valves will be closed
- Regulation of liquid injection into suction line
- Safety monitoring of high pressure / low pressure / discharge temperature
- Capacity control of up to 8 fans
- Floating reference with regard to outside temperature
- Heat recovery function
- CO<sub>2</sub> gas cooler control and receiver control
- Ejector regulation: HP, LE (liquid)
- Safety monitoring of fans
- The status of the outputs and inputs is shown by means of light-emitting diodes on the front panel
- Alarm signals can be generated via data communication
- Alarms are shown with texts so that the cause of the alarm is easy to see.
- Plus some completely separate functions that are totally independent of the regulation – such as alarm, thermostat, pressure and PI-regulating functions.

SW = 2.6x

### Examples



## Principles

The great advantage of this series of controllers is that it can be extended as the size of the plant is increased. It has been developed for refrigeration control systems, but not for any specific application – variation is created through the read-in software and the way you choose to define the connections. The same modules that are used for each regulation and the composition can be changed, as required. With these modules (building blocks) it is possible to create a multitude of various kinds of regulations. But it is you who must help adjusting the regulation to the actual needs – these instructions will assist you to find your way through all the questions so that the regulation can be defined and the connections made.

### Advantages

- The controller's size can “grow” as systems grow
- The software can be set for one or more regulations
- Several regulations with the same components
- Extension-friendly when systems' requirements are changed
- Flexible concept:
  - Controller series with common construction
  - One principle – many regulation uses
  - modules are selected for the actual connection requirements
  - The same modules are used from regulation to regulation

**Controller**

Top part

Bottom part

Danfoss  
A80292.11

The controller is the cornerstone of the regulation. The module has inputs and outputs capable of handling small systems.

- The bottom part – and hence the terminals – are the same for all controller types.
- The top part contains the intelligence with software. This unit will vary according to controller type. But it will always be supplied together with the bottom part.
- In addition to the software, the top part is provided with connections for data communication and address setting.

**Extension modules**

Danfoss  
A80293.10

If the system grows and more functions have to be controlled, the regulation can be extended. With extra modules more signals can be received and more relays cut in and out – how many of them – and which – is determined by the relevant application.

---

**Examples**

Danfoss  
A80293.10

Danfoss  
A80295.10

A regulation with few connections can be performed with the controller module alone.

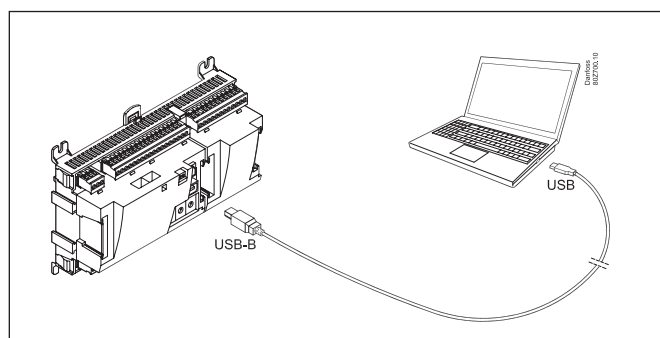
Danfoss  
A80294.10

If there are many connections, one or more extension modules have to be mounted.



### Direct connection

Setup and operation of an AK controller must be accomplished via the “AK-Service Tool” software program. The program is installed on a PC, set up and operation of the various functions is carried out via the controller’s menu displays.

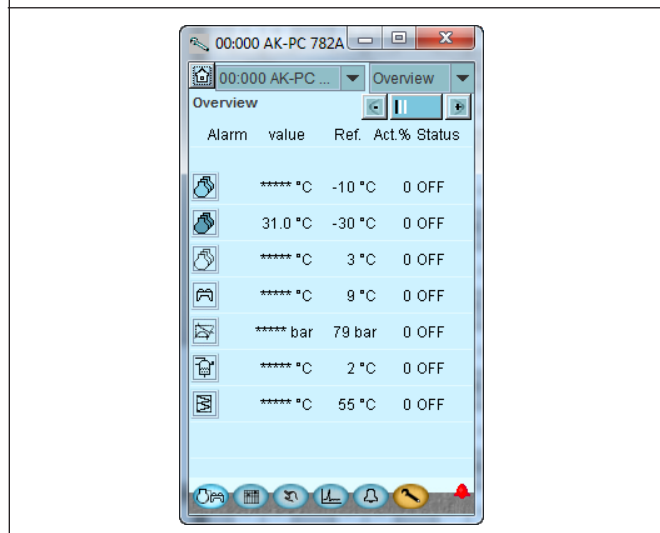


### Displays

The menu displays are dynamic, so that different settings in one menu will result in different setting possibilities in other menus. A simple application with few connections will give a set-up with few settings.

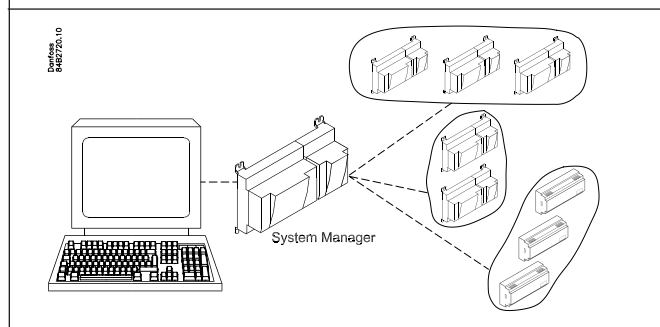
A corresponding application with many connections will give a set-up with many settings.

From the overview display there is access to further displays for the compressor regulation and the condenser regulation. At the bottom of the display there is access to a number of general functions, such as “time table”, “manual operation”, “log function”, “alarms”, and “service” (configuration).



### Network linking

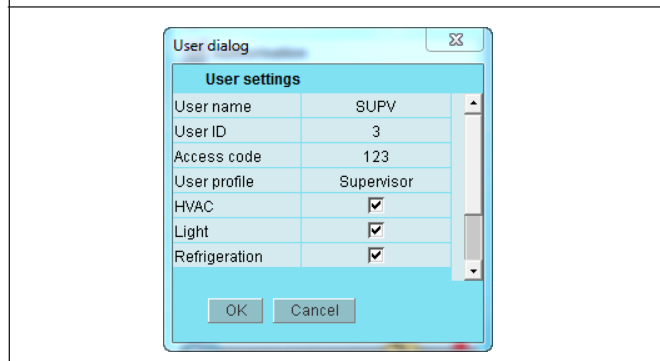
The controller can be linked up to a network together with other controllers in an ADAP-KOOL® refrigeration control system. After the set-up, operation can be performed at a distance with e.g. our software program type AKM.



### Users

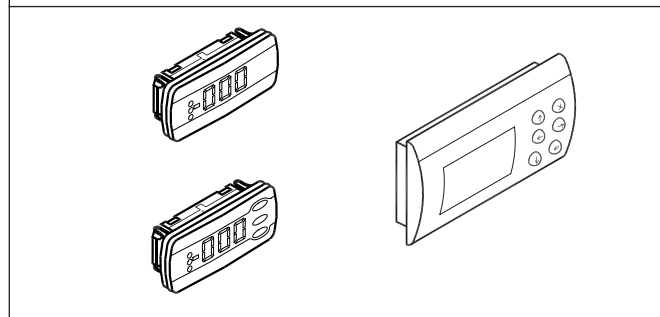
The controller comes supplied with several languages, one of which can be selected and employed by the user. If there are several users, they may each have their choice of language. All users must be assigned a user profile which either gives access to full operation or gradually limits the operation to the lowest level that only allows you “to see”.

Language selection is part of the Service Tool settings. If the language selection is not available in the Service Tool for the current regulator, English texts will be displayed.



### External display

An external display can be fitted in order for P0 (Suction) and Pc (Condensing) readings to be displayed. A total of 4 displays can be fitted and with one setting it is possible to choose between the following readings: suction pressure, suction pressure in temperature, Ss, Sd, condenser pressure, condenser pressure in temperature, S7 gas cooler temperature, hot tap water at heat recovery and heat exchanger temperature at heat recovery. A graphical display with control buttons can also be fitted.



### Light-emitting diodes

A number of light-emitting diodes makes it possible to follow the signals that are received and transmitted by the controller.

■ Power	■ Status	Slow flash = OK
■ Comm	■ Service Tool	Quick flash = answer from gateway
■ DO1	■ LON	Constantly ON = error
■ DO2	■ I/O Extension	Constantly OFF = error
■ DO3	■ Alarm	Flash = active alarm/not cancelled
■ DO4	■ Display	Constant ON = Active alarm/cancelled
■ DO5	■ Service Pin	
■ DO6		
■ DO7		
■ DO8		

### Log

From the log function you can define the measurements you wish to be shown.

The collected values can be printed, or you may export them to a file. You can open the file in Excel.

If you are in a service situation, you can show measurements in a trend function. The measurements are then made real-time and displayed instantly.

The screenshot shows the 'Log Graph' window with a graph area on the left and 'Log Details' on the right. The graph area has buttons for 'History', 'Trend', 'Export', 'Print', and 'Close'. The 'Log Details' panel includes fields for ID, Name, Mode, Device, Type, Interval, and Period. Below these are 'Graph Settings' for History time interval, Trend time interval, Vertical scaling, Min. data value, Max. data value, Chart points, Draw style, Vertical grid, and Horizontal grid.

### Alarm

The display gives you an overview of all active alarms. If you wish to confirm that you have seen the alarm you can cross it off in the acknowledge field.

If you want to know more about a current alarm you can click on it and obtain an information display on the screen.

A corresponding display exists for all earlier alarms. Here you can upload information if you need further details about the alarm history.

The screenshot shows the 'Active Alarms' screen on a handheld device. At the top, it says '00:000 AK-PC 782A' and 'Overview'. Below that, there are two active alarms listed: 'Ack. 1. Control stopped, MainSwitc' with a timestamp of '11/07/16 11:39' and 'Ack. 2. Control stopped, MainSwitc' with a timestamp of '08/07/16 10:04'. Each alarm has an information icon and a checkbox. At the bottom, there are navigation icons for back, forward, and search.

## 2. Design of a controller

This section describes how the controller is designed. The controller in the system is based on a uniform connection platform where any deviations from regulation to regulation is determined by the used top part with a specific software and which input and output signals the relevant application will require. If it is an application with few connections, the controller

module (top part with belonging bottom part) may be sufficient. If it is an application with many connections, it will be necessary to use the controller module plus one or more extension modules. This section will give you a survey of possible connections plus assistance in selecting the modules required by your actual application.

### Module survey

**Controller module** – capable of handling minor plant requirements.

#### Extension modules

When the complexity becomes greater and additional inputs or outputs are required, modules can be attached to the controller. A plug on the side of the module will transmit the supply voltage and data communication between the modules.

#### Top part

The upper part of the controller module contains the intelligence. This is the unit where the regulation is defined and where data communication is connected to other controllers in a bigger network.

#### Connection types

There are various types of inputs and outputs. One type may, for example, receive signals from sensors and switches. Another may receive a voltage signal, and a third type may be outputs with relays etc. The individual types are shown in the table below.

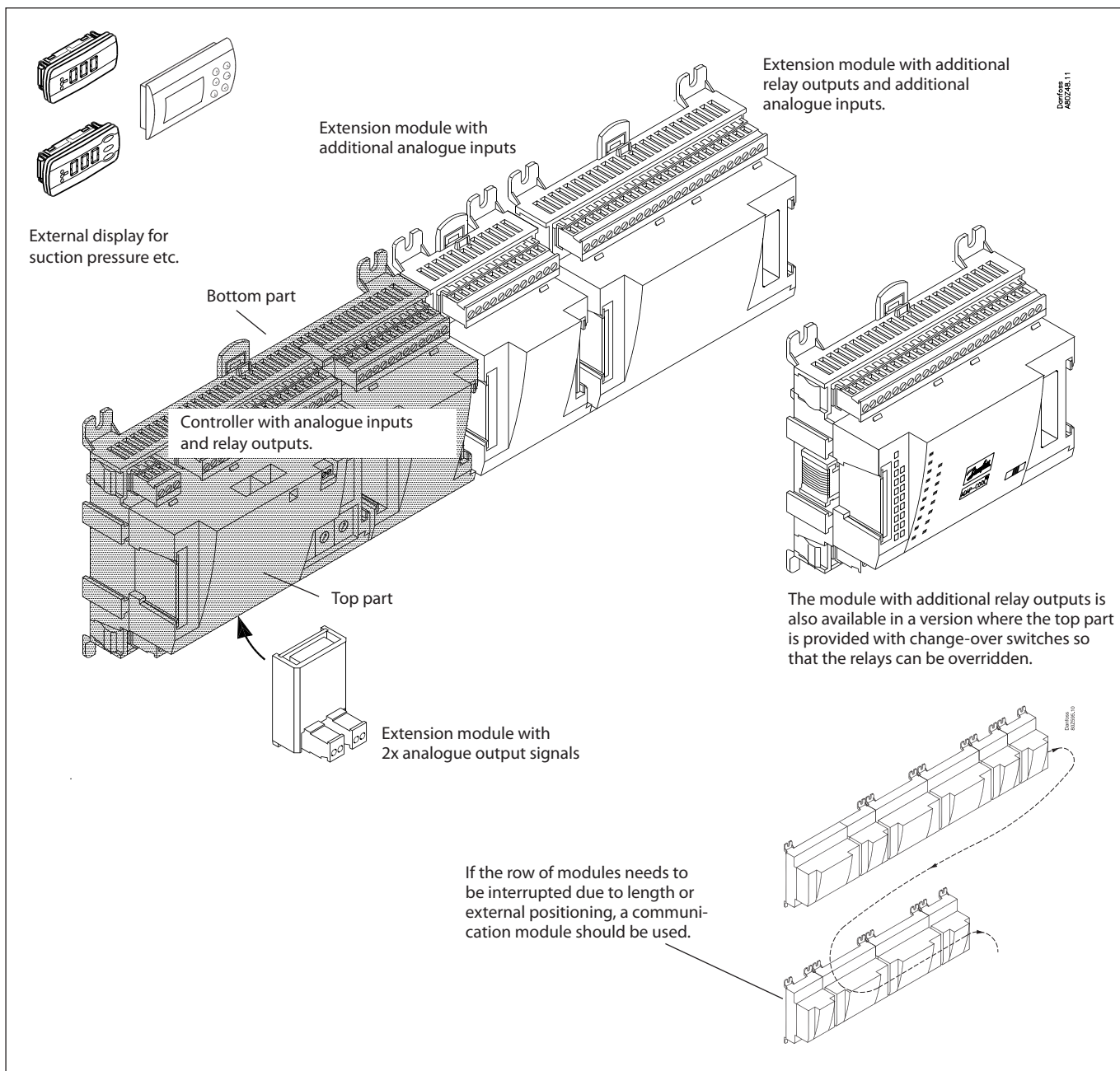
#### Optional connection

When a regulation is planned (set up), it will generate a need for a number of connections distributed on the mentioned types. This connection must then be made on either the controller module or an extension module. The only thing to be observed is that the types must not be mixed (an analogue input signal must for instance not be connected to a digital input).

#### Programming of connections

The controller must know where you connect the individual input and output signals. This takes place in a later configuration where each individual connection is defined based on the following principle:

- to which module?
- at which point ("terminals")?
- what is connected (e.g. pressure transmitter/type/pressure range)?



**User Guide | Capacity controller for transcritical CO<sub>2</sub> booster control AK-PC 782A**
**1. Controller**

Type	Function	Application
AK-PC 782A	Controller for capacity control of MT-, LT, IT-compressors and condensers 8+4 compressors with up to 3 unloaders, 8 fans, max. 220 inputs/outputs	Transcritical CO <sub>2</sub> booster control, parallel compression / Oil management / Heat recovery / CO <sub>2</sub> gas pressure

**2. Extension modules and survey of inputs and outputs**

Type	Analogue inputs	On/Off outputs		On/off supply voltage (DI signal)		Analogue outputs	Stepper output	Module with switches
	For sensors, pressure transmitters etc.	Relay (SPDT)	Solid state	Low voltage (max. 80 V)	High voltage (max. 260 V)	0-10 V DC	For valves with step control	For override of relay outputs
Controller	11	4	4	-	-	-		-
Extension modules								
AK-XM 101A	8							
AK-XM 102A				8				
AK-XM 102B					8			
AK-XM 103A	4					4		
AK-XM 204A		8						
AK-XM 204B		8						x
AK-XM 205A	8	8						
AK-XM 205B	8	8						x
AK-XM 208C	8						4	

The following extension module can be placed on the PC board in the controller module.  
There is only room for one module.

AK-OB 110						2		
-----------	--	--	--	--	--	---	--	--

**3. AK operation and accessories**

Type	Function	Application
<b>Operation</b>		
AK-ST 500	Software for operation of AK controllers	AK-operation
-	Cable between PC and AK controller	USB A-B (Standard IT cable)
<b>Accessories</b>		
<b>Power supply module 230 V / 115 V to 24 V DC</b>		
AK-PS 075	18 VA	Supply for controller
AK-PS 150	36 VA	
AK-PS 250	60 VA	
<b>Accessories</b>		
<b>External display that can be connected to the controller module. For showing e.g. the suction pressure</b>		
EKA 163B	Display	
EKA 164B	Display with operation buttons	
MMIGRS2	Graphic display with operation	
-	Cable between EKA display and controller	Length = 2 m, 6 m
	Cable between graphic display and controller	Length = 1.5 m, 3.0 m
<b>Accessories</b>		
<b>Communication modules for controllers where modules cannot be connected continuously</b>		
AK-CM 102	Communication module	Data communication for external extension modules

On the following pages there is data specific to each module.

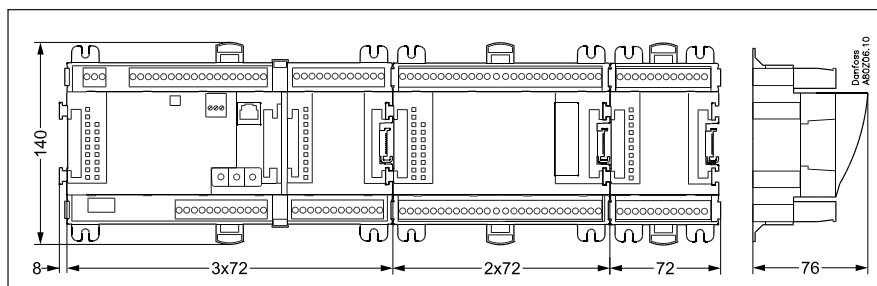
**Common data for modules**

Supply voltage	24 V DC/AC ±20%	
Power consumption	AK-__ (controller)	8 VA
	AK-XM 101, 102, 103, 107, AK-CM 102	2 VA
	AK-XM 204, 205, 208	5 VA
Analogue inputs	Pt 1000 ohm /0 °C	Resolution: 0.1 °C Accuracy: ±0.5 °C ±0.5 °C between -50 °C and 50 °C ±1 °C between -100 °C and -50 °C ±1 °C between 50 °C and 130 °C
	Pressure transmitter type AKS 32R / AKS 2050 MBS 2050 / AKS 32 (1-5 V)	Resolution: 1 mV Accuracy +/- 10 mV
	Other pressure transmitter: Ratiometric signal Min. and Max. pressure must be set	Max. connection of 5 pressure transmitters on one module
	Voltage signal 0-10 V	
	Contact function (On/Off)	On at R < 20 ohm Off at R > 2K ohm (Gold -plated contacts not necessary)
On/off supply voltage inputs	Low voltage 0 / 80 V AC/DC	Off: U < 2 V On: U > 10 V
	High voltage 0 / 260 V AC	Off: U < 24 V On: U > 80 V
Relay outputs SPDT	AC-1 (ohmic)	4 A
	AC-15 (inductive)	3 A
	U	Min. 24 V Max. 230 V Low and high voltage must not be connected to the same output group
Solid state outputs	Can be used for loads that are cut in and out frequently, e.g. Ejector valves, Oil valves, fans and AKV valves	Max. 240 V AC , Min. 48 V AC Max. 0,5 A, Leak < 1 mA Max. 1 AKV
Stepper outputs	Used for valves with stepper input	20 – 500 step/s Separate supply to stepper outputs : 24 AC/DC
Ambient temperature	During transport	-40 – 70 °C
	During operation	-20 – 55 °C , 0 to 95% RH (non condensing) No shock influences / vibrations
Enclosure	Material	PC / ABS
	Class	IP10, VBG 4
	Mounting	For mounting on panel wall or DIN rail
Weight with screw terminals	Modules in 100- / 200- / controller-series	Ca. 200 g / 500 g / 600 g
Approvals	EU low voltage directive and EMC requirements are complied with	LVD tested according to EN 60730 EMC tested Immunity according to EN 61000-6-2 Emission according to EN 61000-6-3
		E31024 for PC-module
		E357029 for XM and CM-modules

The mentioned data applies to all modules.  
If data is specific, this is mentioned together with the module in question.

**Dimensions**

The module dimension is 72 mm.  
Modules in the 100-series consist of one module.  
Modules in the 200-series consist of two modules.  
Controllers consist of three modules.  
The length of an aggregate unit = n x 72 + 8





## Controller

### Function

There are several controllers in the series. The function is determined by the programmed software, but on the outside the controllers are identical – they all have the same connection possibilities:

11 analogue inputs for sensors, pressure transmitters, voltage signals and contact signals.  
8 digital outputs, with 4 Solid state outputs and 4 relay outputs.

### Supply voltage

24 V AC or DC to be connected to the controller.

The 24 V must **not** be retransmitted and used by other controllers as it is not galvanically separated from inputs and outputs. In other words, you **must** use a transformer for each controller. Class II is required. The terminals must **not** be earthed.

The supply voltage to any extension module is transmitted via the plug on the right-hand side.

The size of the transformer is determined by the power requirement of the total number of modules.

The supply voltage to a pressure transmitter can be taken either from the 5 V output or from the 12 V output depending on transmitter type.

### Data communication

If the controller is to be included in a system, communication must take place via the LON connection.

The installation has to be made as mentioned in the separate instructions for LON communication.

### Address setting

If it is a system manager AK-SM .., then 1-999

### Service PIN

When the controller is connected to the data communication cable, the gateway must have knowledge of the new controller. This is obtained by pushing the key PIN. The LED "Status" will flash when the gateway sends an acceptance message.

### Operation

The configuration operation of the controller must take place from the software program "Service Tool". The program must be installed on a PC, and the PC must be connected to the controller via the USB-B plug on the front of the unit.

### Light-emitting diodes

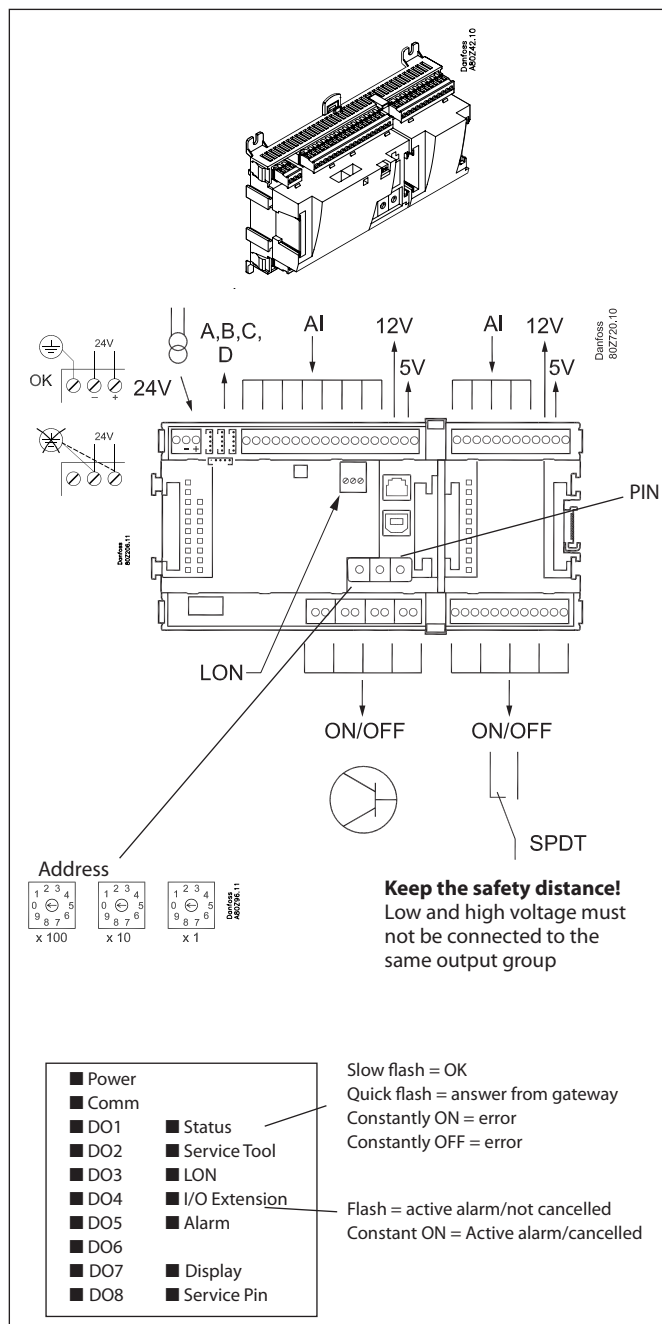
There are two rows with LEDs indicating:

Left row:

- Voltage supply to the controller
- Communication active with the bottom PC board (red = error)
- Status of outputs DO1 to DO8

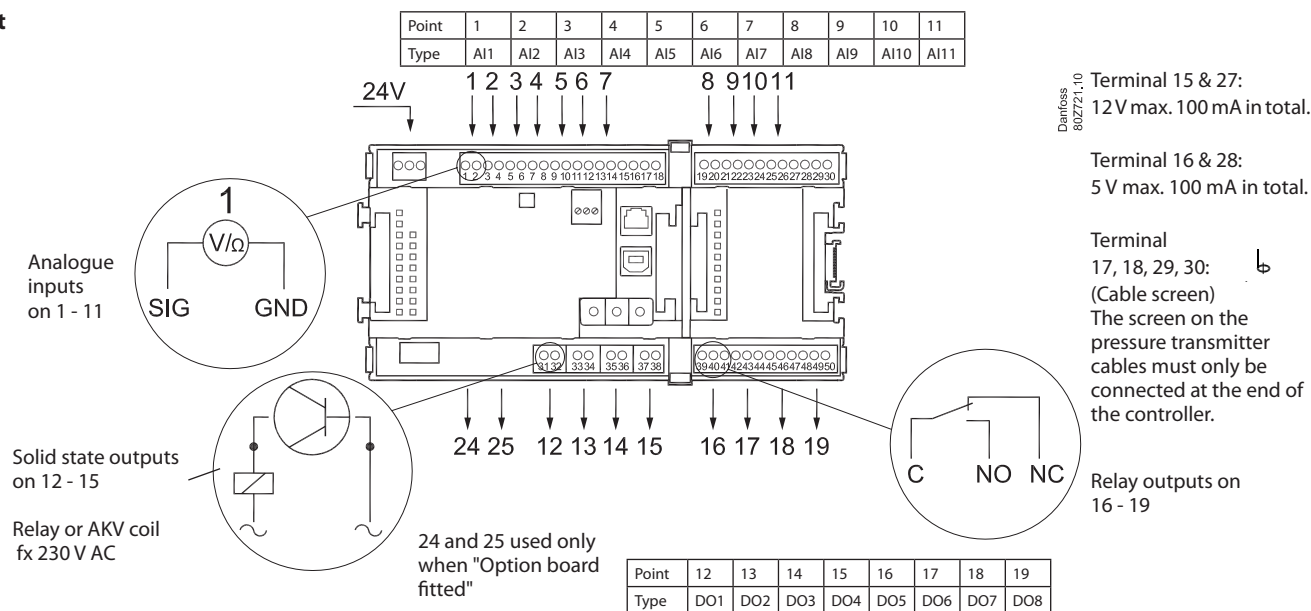
Right row:

- Software status (slow flash = OK)
- Communication with Service Tool
- Communication on LON
- Communication with AK-CM 102
- Alarm when LED flashes
  - 1 LED that is not used
- Communication with display on RJ11 plug
- "Service Pin" switch has been activated



A small module (option board) can be placed on the bottom part of the controller. The module is described later in the document.

Point



	Signal	Signal type
<b>S</b> Pt 1000 ohm/0°C	S1 S2 Saux_ SsA SdA Shr Stw Sgc	Pt 1000
<b>P</b> AKS 32R AKS 32	3: Brown SIG 2: Blue GND 1: Black 5V 3: Brown SIG 2: Black GND 1: Red 12V	POA POB PcA PcB Paux Pgc Prec AKS 32R / AKS 2050 MBS 8250 -1 -xx bar AKS 32 -1 -zz bar
<b>U</b>	+ SIG - GND	0 - 5 V 0 - 10 V
<b>On/Off</b>	Ext. Main switch Day/ Night Door Level switch	<b>Active at:</b> Closed / Open
<b>DO</b>	AKV Comp 1 Comp 2 Fan 1 Alarm Light Rail heat Defrost Solenoid valve	<b>Active at:</b> On / Off
<b>Option Board</b>	Please see the signal on the page with the module.	

Signal	Module	Point	Terminal	Signal type /Active at
		1 (AI 1)	1 - 2	
		2 (AI 2)	3 - 4	
		3 (AI 3)	5 - 6	
		4 (AI 4)	7 - 8	
		5 (AI 5)	9 - 10	
		6 (AI 6)	11 - 12	
		7 (AI 7)	13 - 14	
		8 (AI 8)	19 - 20	
		9 (AI 9)	21 - 22	
		10 (AI 10)	23 - 24	
	1	11 (AI 11)	25 - 26	
		12 (DO 1)	31 - 32	
		13 (DO 2)	33 - 34	
		14 (DO 3)	35 - 36	
		15 (DO 4)	37 - 38	
		16 (DO 5)	39 - 40 - 41	
		17 (DO6)	42 - 43 - 44	
		18 (DO7)	45 - 46 - 47	
		19 (DO8)	48 - 49 - 50	
		24	-	
		25	-	

## Extension module AK-XM 101A

### Function

The module contains 8 analogue inputs for sensors, pressure transmitters, voltage signals and contact signals.

### Supply voltage

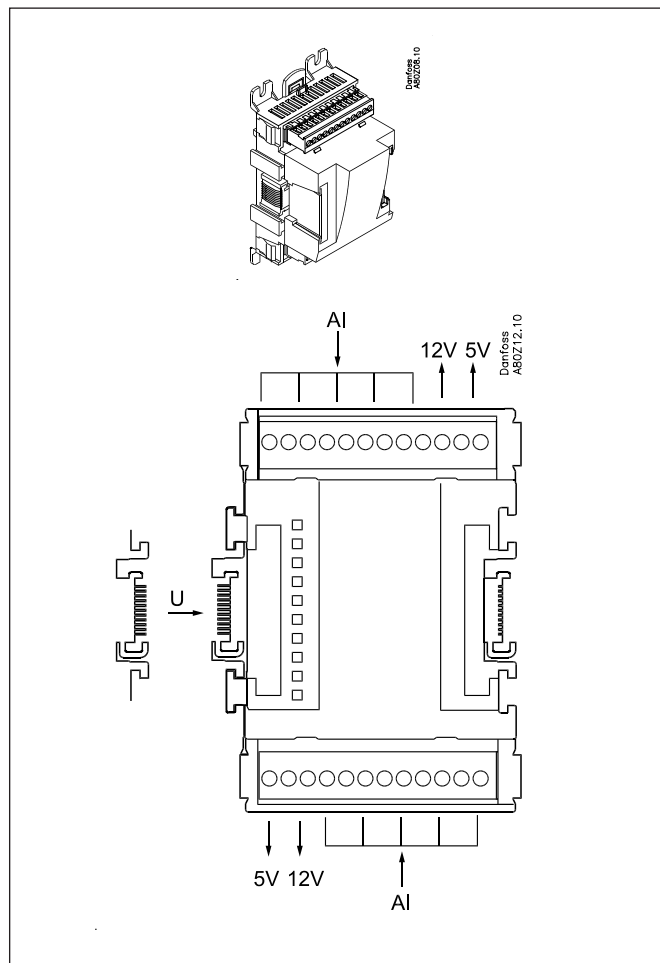
The supply voltage to the module comes from the previous module in the row.

Supply voltage to a pressure transmitter can be taken from either the 5 V output or the 12 V output depending on transmitter type.

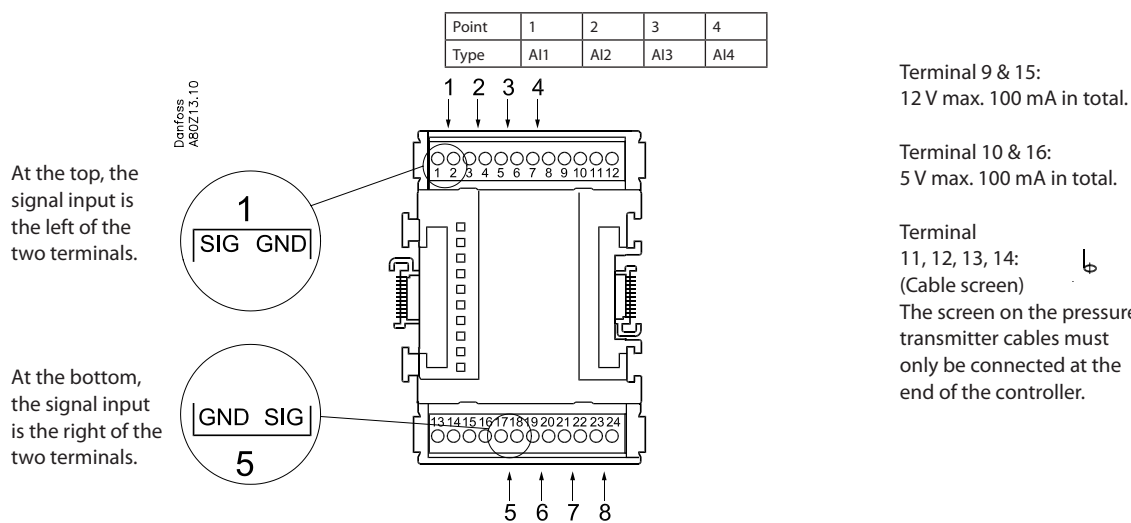
### Light-emitting diodes

Only the two top LEDs are used. They indicate the following:

- Voltage supply to the module
- Communication with the controller is active (red = error)



Point



	Signal	Signal type
<b>S</b> Pt 1000 ohm/0°C 	S1 S2 Saux SsA SdA Shr Stw Sgc	Pt 1000
<b>P</b> AKS 32R  AKS 32 	POA POB PcA PcB Paux Pgc Prec	AKS 32R / AKS 2050 MBS 8250 -1 - xx bar  AKS 32 -1 - zz bar
<b>U</b> 	...	0 - 5 V 0 - 10 V
<b>On/Off</b> 	Ext. Main switch Day/ Night Door Level switch	<b>Active at:</b> Closed / Open

Point	5	6	7	8
Type	AI5	AI6	AI7	AI8

Signal	Module	Point	Terminal	Signal type / Active at
		1 (AI 1)	1 - 2	
		2 (AI 2)	3 - 4	
		3 (AI 3)	5 - 6	
		4 (AI 4)	7 - 8	
		5 (AI 5)	17 - 18	
		6 (AI 6)	19 - 20	
		7 (AI 7)	21 - 22	
		8 (AI 8)	23 - 24	

## Extension module AK-XM 102A / AK-XM 102B

### Function

The module contains 8 inputs for on/off voltage signals.

### Signal

AK-XM 102A is for low voltage signals.

AK-XM 102B is for high voltage signals.

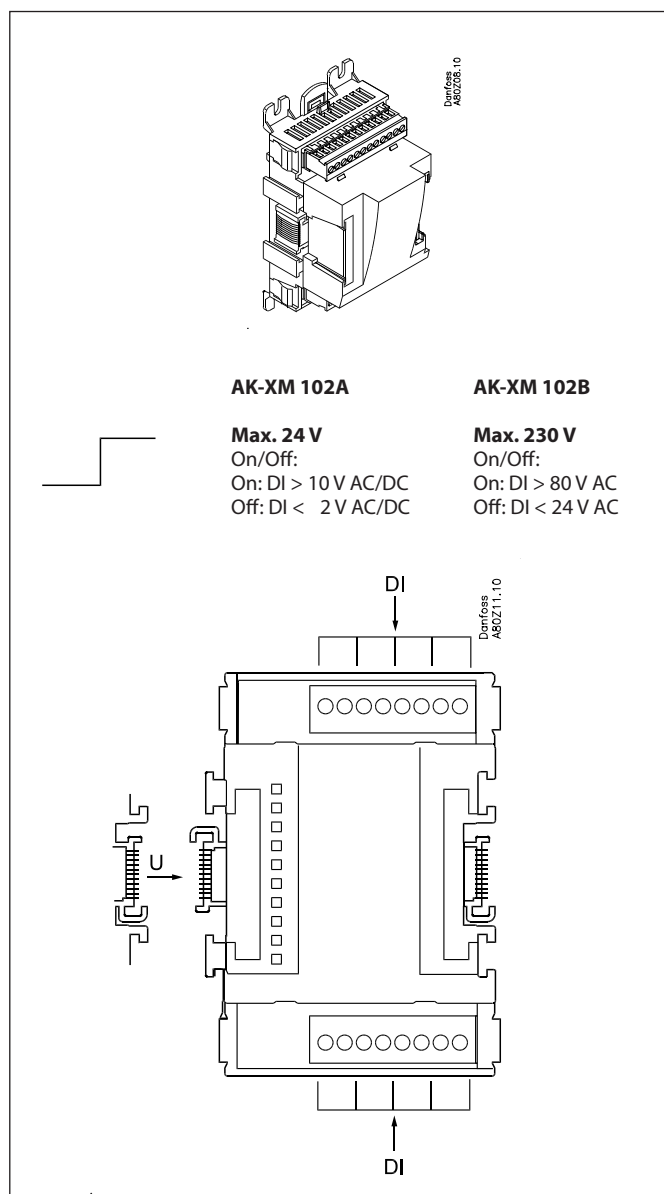
### Supply voltage

The supply voltage to the module comes from the previous module in the row.

### Light-emitting diodes

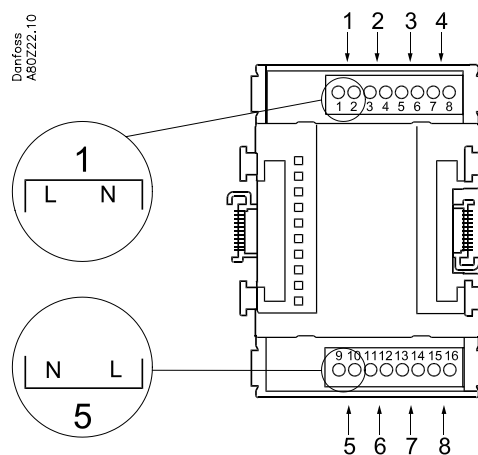
They indicate:

- Voltage supply to the module
- Communication with the controller is active (red = error)
- Status of the individual inputs 1 to 8 (when lit = voltage)



Point

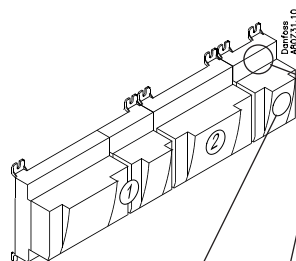
Point	1	2	3	4
Type	DI1	DI2	DI3	DI4



Point	5	6	7	8
Type	DI5	DI6	DI7	DI8

	Signal	Active at
<b>DI</b> AK-XM 102A: Max. 24 V AK-XM 102B: Max. 230 V 	Ext. Main switch	<b>Closed</b> (voltage on)
	Day/ Night	
	Comp. safety 1	<b>Open</b> (voltage off)
	Comp. safety 2	
	Level switch	

(The module can not register a pulse signal from e.g. a reset function.)



Signal	Module	Point	Terminal	Active at
		1 (DI 1)	1 - 2	
		2 (DI 2)	3 - 4	
		3 (DI 3)	5 - 6	
		4 (DI 4)	7 - 8	
		5 (DI 5)	9 - 10	
		6 (DI 6)	11 - 12	
		7 (DI 7)	13 - 14	
		8 (DI 8)	15 - 16	



## Extension module AK-XM 103A

### Function

The module contains :  
 4 analogue inputs for sensors, pressure transmitters, voltage signals and contact signals.  
 4 analogue voltage outputs of 0 - 10 V

### Supply voltage

The supply voltage to the module comes from the previous module in the row.

Supply voltage to a pressure transmitter can be taken from either the 5 V output or the 12 V output depending on transmitter type.

### Galvanic isolation

The inputs are galvanically separated from the outlets.  
 The outlets AO1 and AO2 are galvanically separated from AO3 and AO4.

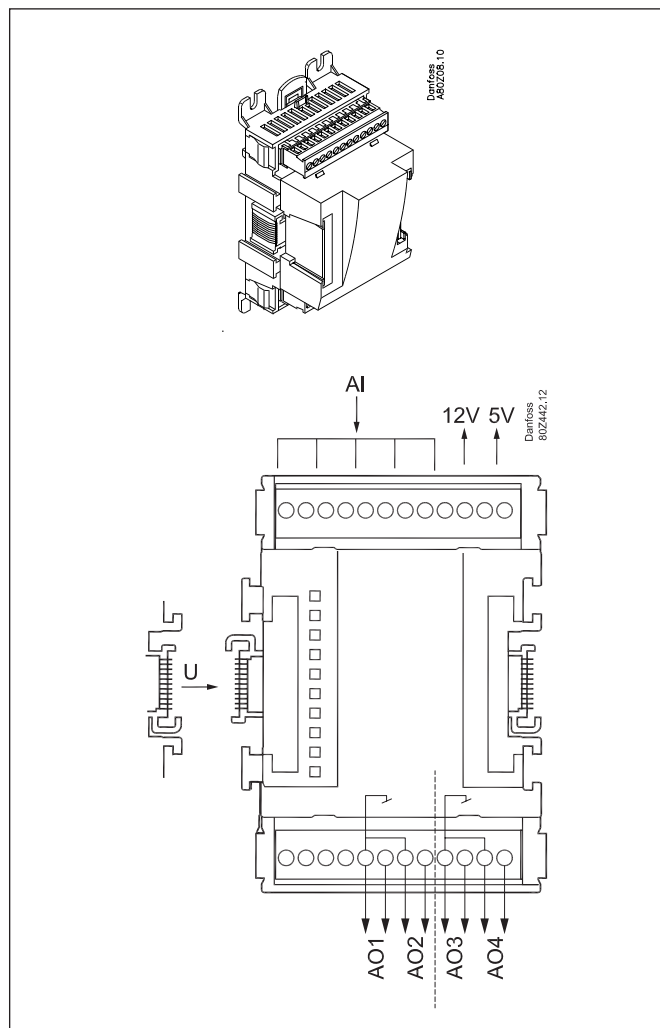
### Light-emitting diodes

Only the two top LEDs are used. They indicate the following:

- Voltage supply to the module
- Communication with the controller is active (red = error)

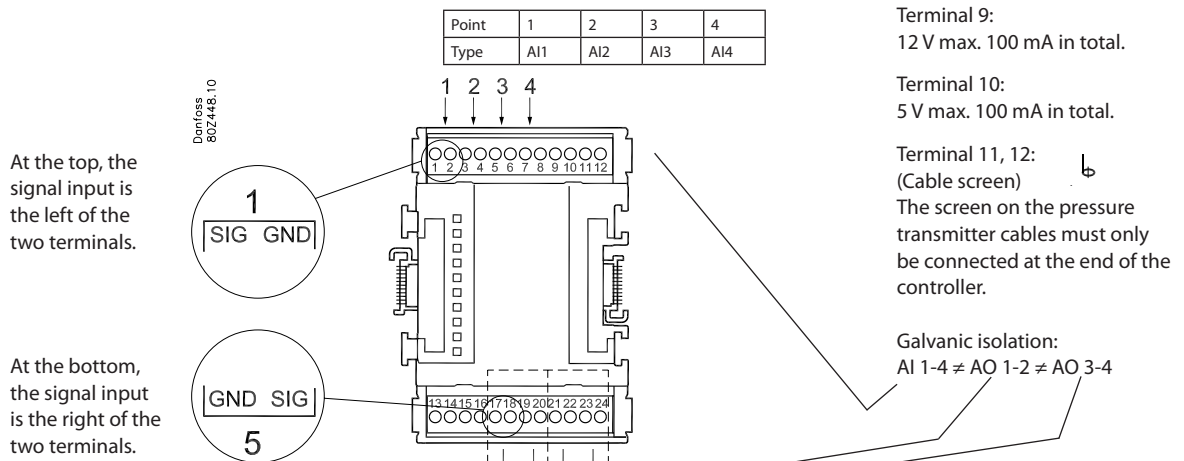
### Max. load

$I < 2.5 \text{ mA}$   
 $R > 4 \text{ k}\Omega$



**User Guide | Capacity controller for transcritical CO<sub>2</sub> booster control AK-PC 782A**

**Point**



Point	1	2	3	4
Type	AI1	AI2	AI3	AI4

Point	5	6	7	8
Type	AO1	AO2	AO3	AO4

	Signal	Signal type
<b>S</b> Pt 1000 ohm/0°C 	S1 S2 Saux SsA SdA Shr Stw Sgc	Pt 1000
<b>P</b> AKS 32R  AKS 32 	POA POB PcA PcB Paux Pgc Prec	AKS 32R / MBS 8250 -1 - xx bar  AKS 32 -1 - zz bar
<b>U</b> 	...	0 - 5 V 0 - 10 V
<b>On/Off</b> 	Ext. Main switch Day/Night  Door Level switch	<b>Active at:</b> Closed / Open
<b>AO</b> 		0 - 10 V

Signal	Module	Point	Terminal	Signal type /Active at
		1 (AI 1)	1 - 2	
		2 (AI 2)	3 - 4	
		3 (AI 3)	5 - 6	
		4 (AI 4)	7 - 8	
		5 (AO 1)	17 - 18	
		6 (AO 2)	19 - 20	
		7 (AO 3)	21 - 22	
		8 (AO 4)	23 - 24	

## Extension module AK-XM 204A / AK-XM 204B

### Function

The module contains 8 relay outputs.

### Supply voltage

The supply voltage to the module comes from the previous module in the row.

### AK-XM 204B only

#### Override of relay

Eight change-over switches at the front make it possible to override the relay's function.

Either to position OFF or ON.

In position Auto the controller carries out the control.

### Light-emitting diodes

There are two rows with LEDs. They indicate the following:

Left row:

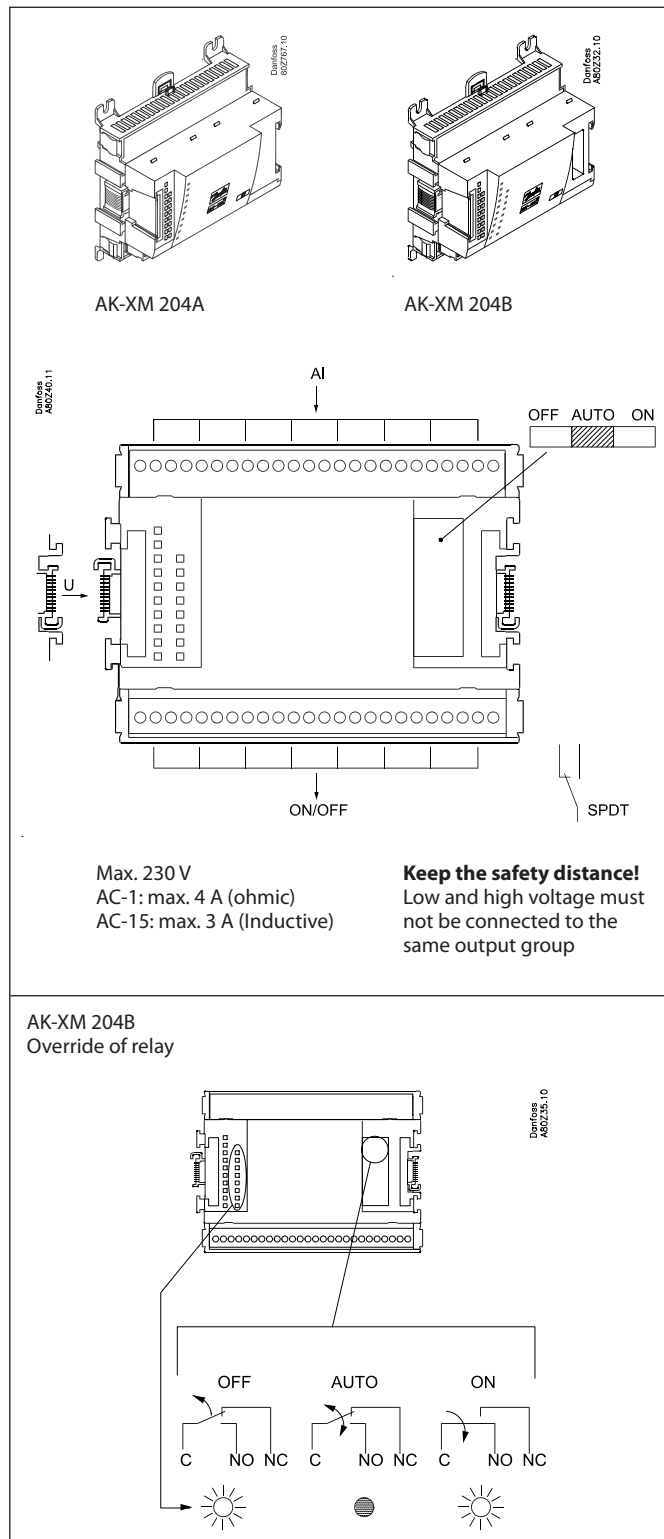
- Voltage supply to the controller
- Communication active with the bottom PC board (red = error)
- Status of outputs DO1 to DO8

Right row: (AK-XM 204B only):

- Override of relays
  - ON = override
  - OFF = no override

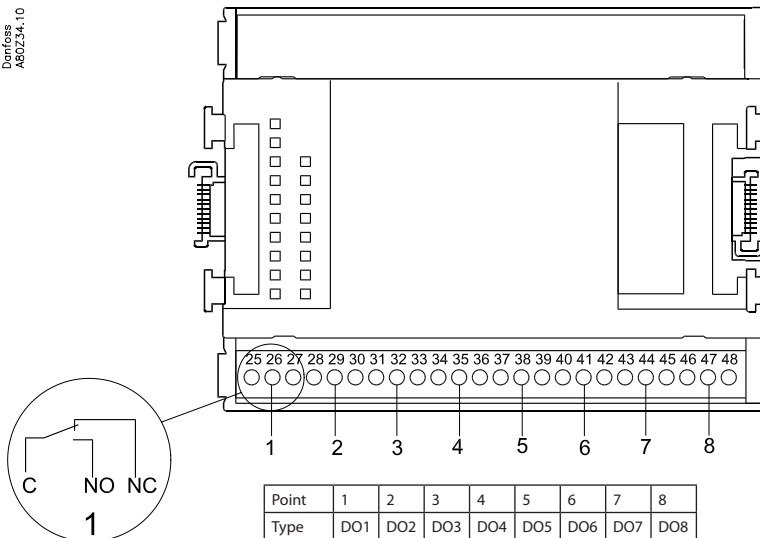
### Fuses

Behind the upper part there is a fuse for each output.

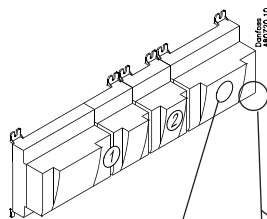


Point

Danfoss  
AK223A-1.0



	Signal	Active at
	Comp. 1	On / Off
	Comp. 2	
	Fan 1	
	Alarm	
	Solenoid valve	



Signal	Module	Point	Terminal	Active at
		1 (DO 1)	25 - 27	
		2 (DO 2)	28 - 30	
		3 (DO 3)	31 - 33	
		4 (DO 4)	34 - 36	
		5 (DO 5)	37 - 39	
		6 (DO 6)	40 - 41 - 42	
		7 (DO 7)	43 - 44 - 45	
		8 (DO 8)	46 - 47 - 48	

## Extension module AK-XM 205A / AK-XM 205B

### Function

The module contains:  
 8 analogue inputs for sensors, pressure transmitters, voltage signals and contact signals.  
 8 relay outputs.

### Supply voltage

The supply voltage to the module comes from the previous module in the row.

### AK-XM 205B only

#### Override of relay

Eight change-over switches at the front make it possible to override the relay's function.

Either to position OFF or ON.

In position Auto the controller carries out the control.

### Light-emitting diodes

There are two rows with LEDs. They indicate the following:

Left row:

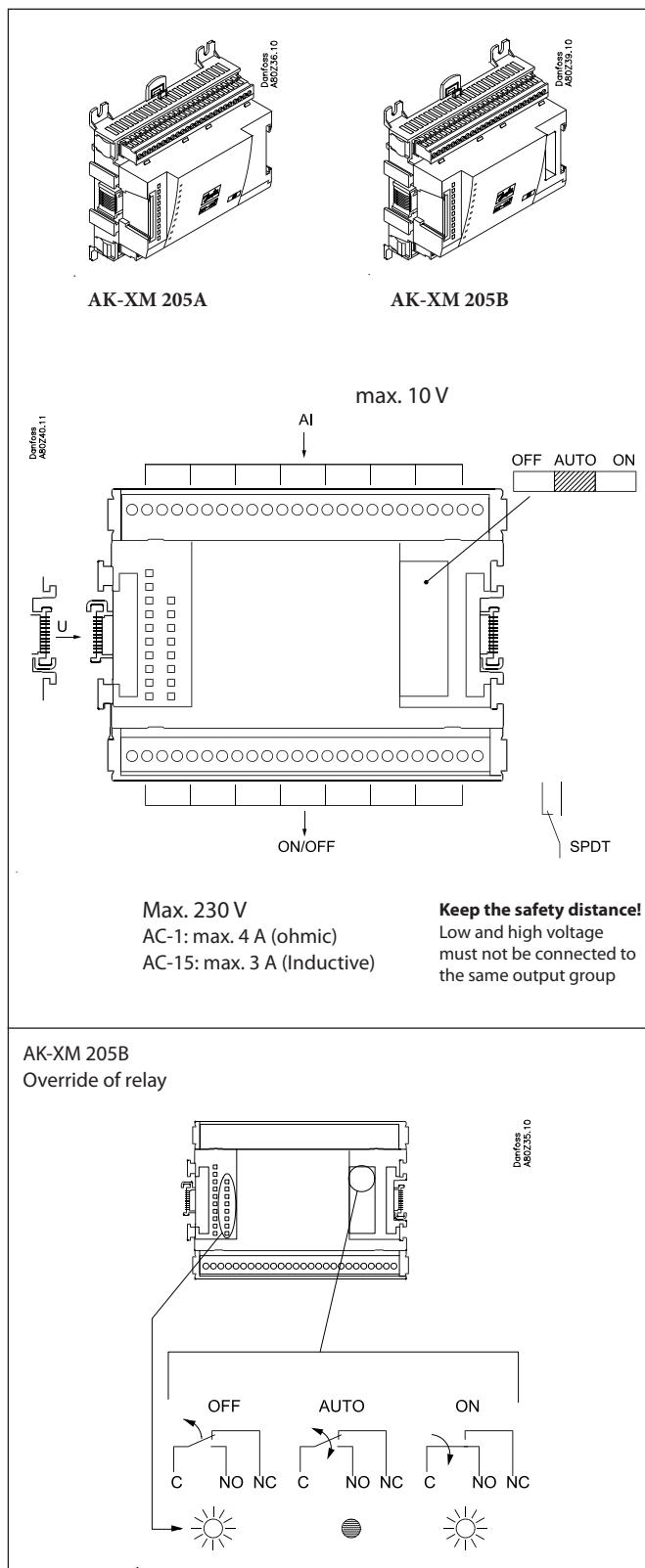
- Voltage supply to the controller
- Communication active with the bottom PC board (red = error)
- Status of outputs DO1 to DO8

Right row: (AK-XM 205B only):

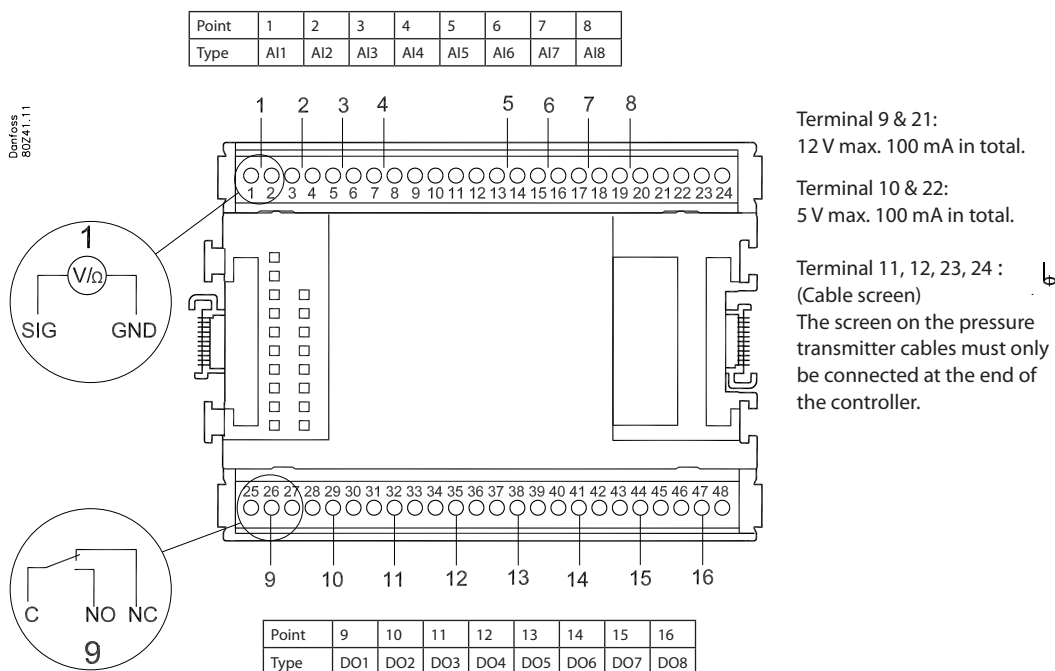
- Override of relays
  - ON = override
  - OFF = no override

### Fuses

Behind the upper part there is a fuse for each output.



Point



Terminal 9 & 21:  
12 V max. 100 mA in total.

Terminal 10 & 22:  
5 V max. 100 mA in total.

Terminal 11, 12, 23, 24 :  
(Cable screen)  
The screen on the pressure transmitter cables must only be connected at the end of the controller.

	Signal	Signal type																																																																																						
<b>S</b> Pt 1000 ohm/0°C 	S1 S2 Saux SsA SdA Shr Stw Sgc	Pt 1000																																																																																						
<b>P</b> AKS 32R  AKS 32 	POA POB PcA PcB Paux Pgc Prec	AKS 32R / AKS 2050 MBS 8250 -1 - xx bar  AKS 32 -1 - zz bar																																																																																						
<b>U</b> 	...	0 - 5 V 0 - 10 V																																																																																						
<b>On/Off</b> 	Ext. Main switch Day/ Night Door Level switch	<b>Active at:</b> Closed / Open																																																																																						
<b>DO</b> 	Comp 1 Comp 2 Fan 1 Alarm Light Rail heat Defrost Solenoid valve	<b>Active at:</b> on / Off																																																																																						
			<table border="1"> <thead> <tr> <th>Signal</th> <th>Module</th> <th>Point</th> <th>Terminal</th> <th>Signal type /Active at</th> </tr> </thead> <tbody> <tr> <td></td> <td></td> <td>1 (AI 1)</td> <td>1 - 2</td> <td></td> </tr> <tr> <td></td> <td></td> <td>2 (AI 2)</td> <td>3 - 4</td> <td></td> </tr> <tr> <td></td> <td></td> <td>3 (AI 3)</td> <td>5 - 6</td> <td></td> </tr> <tr> <td></td> <td></td> <td>4 (AI 4)</td> <td>7 - 8</td> <td></td> </tr> <tr> <td></td> <td></td> <td>5 (AI 5)</td> <td>13 - 14</td> <td></td> </tr> <tr> <td></td> <td></td> <td>6 (AI 6)</td> <td>15 - 16</td> <td></td> </tr> <tr> <td></td> <td></td> <td>7 (AI 7)</td> <td>17 - 18</td> <td></td> </tr> <tr> <td></td> <td></td> <td>8 (AI 8)</td> <td>19 - 20</td> <td></td> </tr> <tr> <td></td> <td></td> <td>9 (DO 1)</td> <td>25 - 26 - 27</td> <td></td> </tr> <tr> <td></td> <td></td> <td>10 (DO 2)</td> <td>28 - 29 - 30</td> <td></td> </tr> <tr> <td></td> <td></td> <td>11 (DO 3)</td> <td>31 - 30 - 33</td> <td></td> </tr> <tr> <td></td> <td></td> <td>12 (DO 4)</td> <td>34 - 35 - 36</td> <td></td> </tr> <tr> <td></td> <td></td> <td>13 (DO 5)</td> <td>37 - 36 - 39</td> <td></td> </tr> <tr> <td></td> <td></td> <td>14 (DO 6)</td> <td>40 - 41 - 42</td> <td></td> </tr> <tr> <td></td> <td></td> <td>15 (DO 7)</td> <td>43 - 44 - 45</td> <td></td> </tr> <tr> <td></td> <td></td> <td>16 (DO 8)</td> <td>46 - 47 - 48</td> <td></td> </tr> </tbody> </table>	Signal	Module	Point	Terminal	Signal type /Active at			1 (AI 1)	1 - 2				2 (AI 2)	3 - 4				3 (AI 3)	5 - 6				4 (AI 4)	7 - 8				5 (AI 5)	13 - 14				6 (AI 6)	15 - 16				7 (AI 7)	17 - 18				8 (AI 8)	19 - 20				9 (DO 1)	25 - 26 - 27				10 (DO 2)	28 - 29 - 30				11 (DO 3)	31 - 30 - 33				12 (DO 4)	34 - 35 - 36				13 (DO 5)	37 - 36 - 39				14 (DO 6)	40 - 41 - 42				15 (DO 7)	43 - 44 - 45				16 (DO 8)	46 - 47 - 48	
Signal	Module	Point	Terminal	Signal type /Active at																																																																																				
		1 (AI 1)	1 - 2																																																																																					
		2 (AI 2)	3 - 4																																																																																					
		3 (AI 3)	5 - 6																																																																																					
		4 (AI 4)	7 - 8																																																																																					
		5 (AI 5)	13 - 14																																																																																					
		6 (AI 6)	15 - 16																																																																																					
		7 (AI 7)	17 - 18																																																																																					
		8 (AI 8)	19 - 20																																																																																					
		9 (DO 1)	25 - 26 - 27																																																																																					
		10 (DO 2)	28 - 29 - 30																																																																																					
		11 (DO 3)	31 - 30 - 33																																																																																					
		12 (DO 4)	34 - 35 - 36																																																																																					
		13 (DO 5)	37 - 36 - 39																																																																																					
		14 (DO 6)	40 - 41 - 42																																																																																					
		15 (DO 7)	43 - 44 - 45																																																																																					
		16 (DO 8)	46 - 47 - 48																																																																																					



## Extension module AK-XM 208C

### Function

The module contains:  
 8 analogue inputs for sensors, pressure transmitters, voltage signals and contact signals.  
 4 outputs for stepper motors.

### Supply voltage

The supply voltage to the module comes from the previous module in the row. Here supplied with 5 VA.

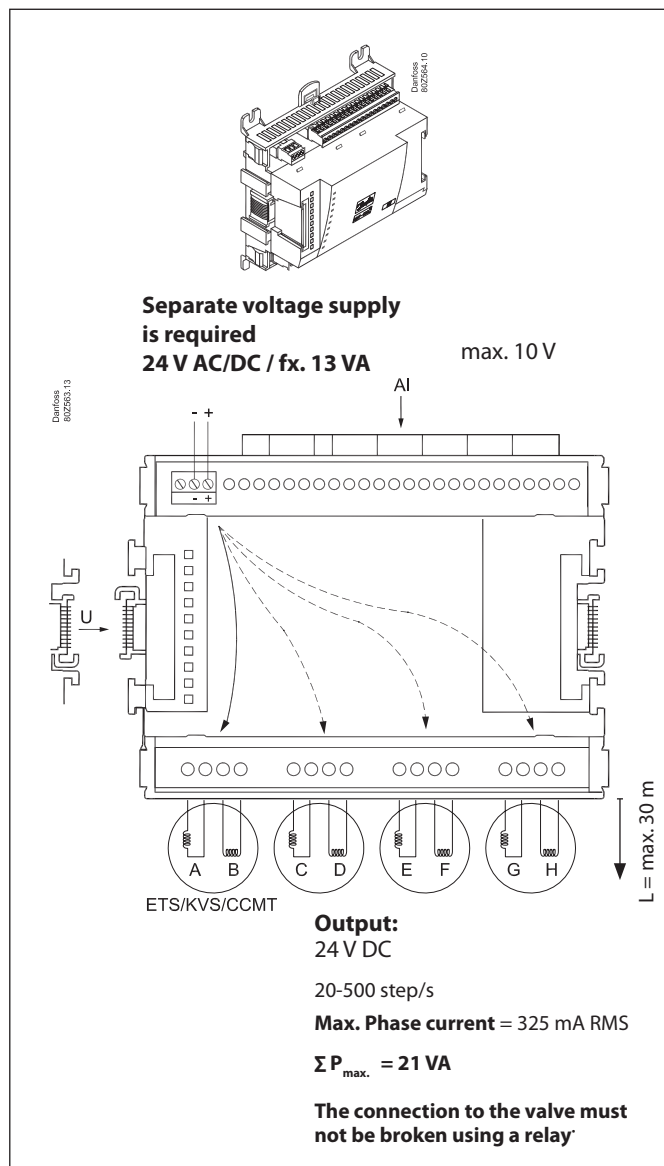
The supply voltage to the valves must be from a separate supply, which must be galvanically separated from the supply for the control range. Class II is required.  
 (Power requirements: 7.8 VA for controller + xx VA per valve).

A UPS may be necessary if the valves need to open/close during a power failure.

### Light-emitting diodes

There is one row with LEDs, indicating the following:

- Voltage supply to the module
- Communication active with the bottom PC board (red = error)
- Step1 to step4 OPEN: Green = Open
- Step1 to step4 CLOSE: Green = Close
- Red flash = Error on motor or connection



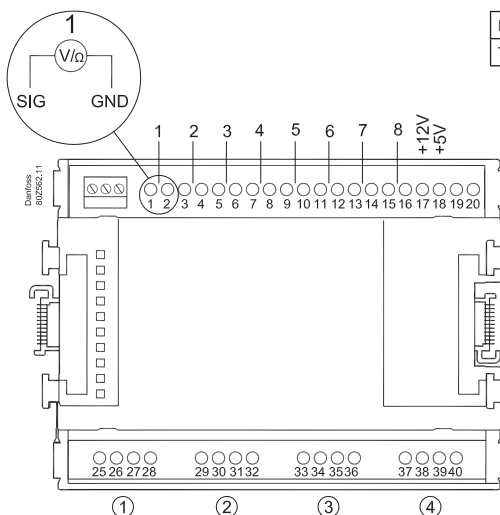
Valve data	
Type	P
ETS 12.5 - ETS 400 KVS 15 - KVS 42 CCMT 2 - CCMT 8 CCM 10 - CCM 40 CTR 20	1.3 VA
CCMT 16 - CCMT 42	5.1 VA

### Power supply to AK-XM 208C:

Fx:  $7.8 + (4 \times 1.3) = 13 \text{ VA}$  ⇒ AK-PS 075

Fx:  $7.8 + (4 \times 5.1) = 28,2 \text{ VA}$  ⇒ AK-PS 150

Point



Point	1	2	3	4	5	6	7	8
Type	AI1	AI2	AI3	AI4	AI5	AI6	AI7	AI8

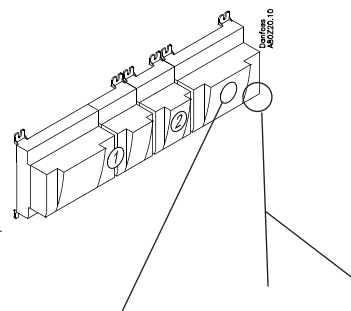
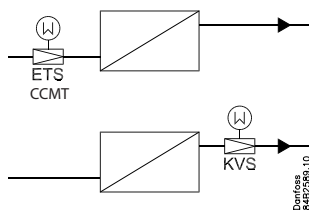
Terminal 17: 12 V max. 100 mA in total.

Terminal 18: 5 V max. 100 mA in total.

Terminal 19, 20: (Cable screen)

Point	9	10	11	12
Step	1	2	3	4
Type	AO			

Step / Terminal	1	25	26	27	28
	2	29	30	31	32
	3	33	34	35	36
	4	37	38	39	40
ETS CCM / CCMT CTR KVS	White	Black	Red	Green	



Valve	Module	Step	Terminal
 ETS/KVS/CCMT		1 (point 9)	25 - 28
		2 (point 10)	29 - 32
		3 (point 11)	33 - 36
		4 (point 12)	37 - 40

## Extension module AK-OB 110

### Function

The module contains two analogue voltage outputs of 0 – 10 V.

### Supply voltage

The supply voltage to the module comes from the controller module.

### Placing

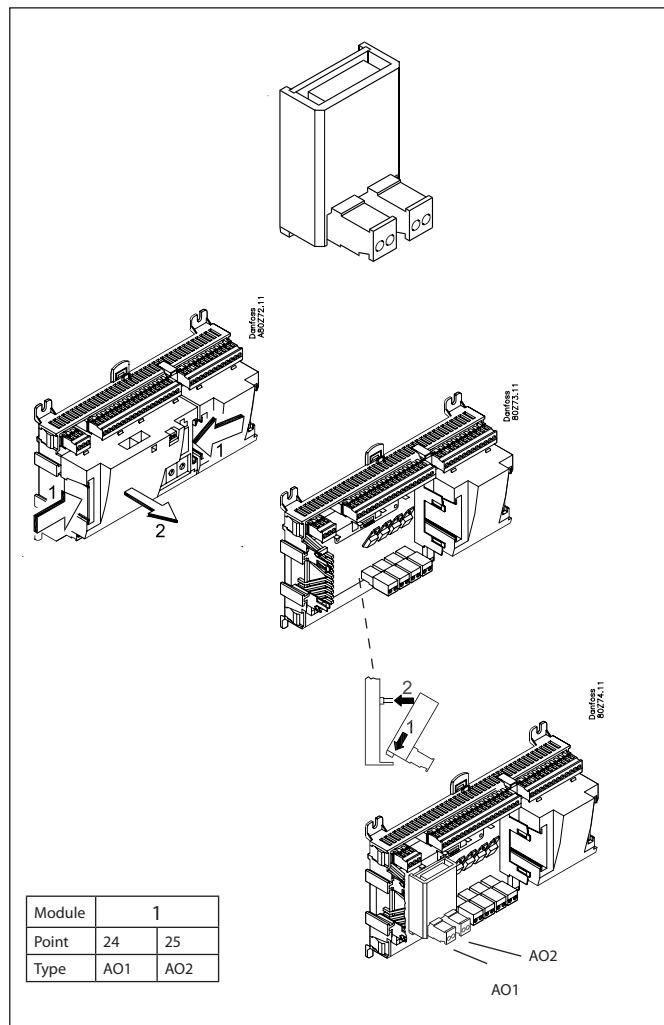
The module is placed on the PC board in the controller module.

### Point

The two outputs have points 24 and 25. They are shown on the earlier page where the controller is also mentioned.

Max. load  
 $I < 2.5 \text{ mA}$   
 $R > 4 \text{ kohm}$

AO	-	→	0-10 V	AO	0 - 10V
	+	→			



## Extension module EKA 163B / EKA 164B

### Function

Display of important measurements from the controller, e.g. appliance temperature, suction pressure or condensing pressure. Setting of the individual functions can be performed by using the display with control buttons. It is the controller used that determines the measurements and settings that can occur.

### Connection

The extension module is connected to the controller module via a cable with plug connections. You have to use one cable per module. The cable is supplied in various lengths.

Both types of display (with or without control buttons) can be connected to either display output A, B, C and D.

Ex.

A: P0. Suction pressure in °C.

B: Pc. Condensing pressure in °C.

When the controller starts up, the display will show the output that is connected.

-- 1 = output A

-- 2 = output B

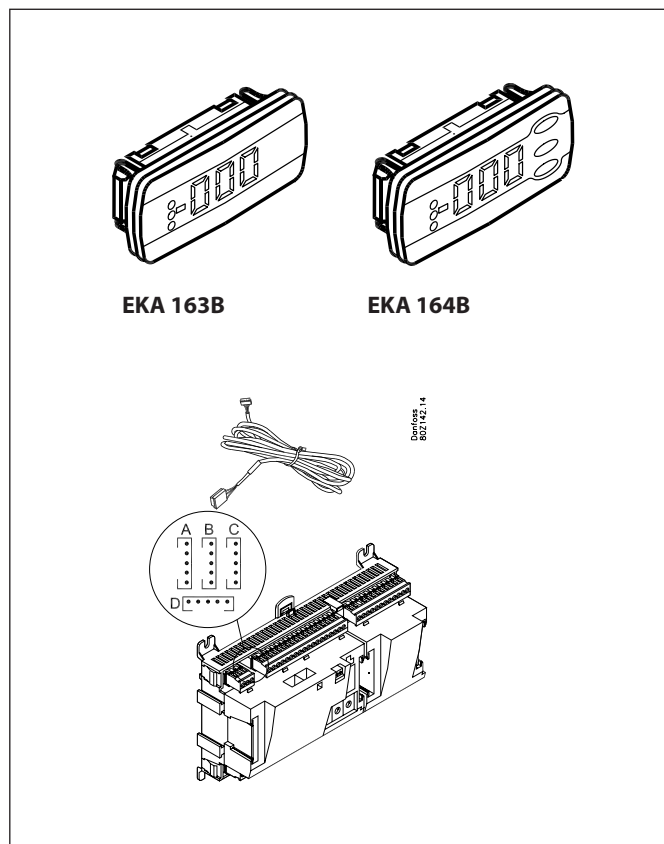
etc.

### Placing

The extension module can be placed at a distance of up to 15 m from the controller module.

### Point

No point has to be defined for a display module – you simply connect it.



## Graphic display MMIGRS2

### Function

Setting and display of values in the controller.

### Connection

The display connects to the controller via a cable with RJ11 plug connections.

### Supply voltage

Received from the controller via cable and RJ11 connector. Do not connect a separate power supply for this display.

### Termination

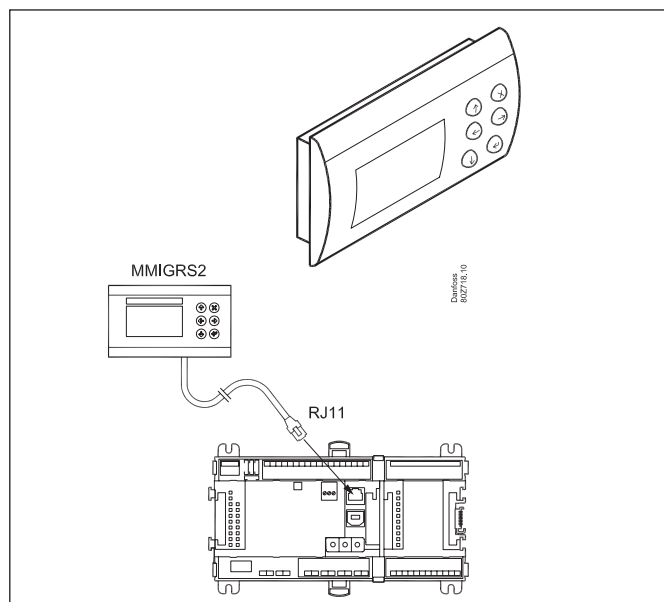
The display must be terminated. Mount a connection between the terminals H and R. (AK-PC 782A is terminated internally.)

### Placing

The display can be placed at a distance of up to 3 m from the controller.

### Point / Address

No point has to be defined for a display – you simply connect it. However, the address must be verified. See the instructions accompanying the controller.



To create access, the display must be connected and the address of MMIGRS2 must be activated.

### Setting:

1. Press both the "x-button" and "enter button" and hold for 5 seconds. Subsequently the Bios menu is shown.
2. Select the line "MCX selection", press "enter"
3. Select the line "Man selection", press "enter"
4. The address is shown now. Please check that it is 001, press "enter". Then data is downloaded from the controller.

## Power supply module AK-PS 075 / 150 / 250

### Function

24 V supply for controller.

### Supply voltage

230 V AC or 115 V AC (from 100 V AC to 240 V AC)

### Placing

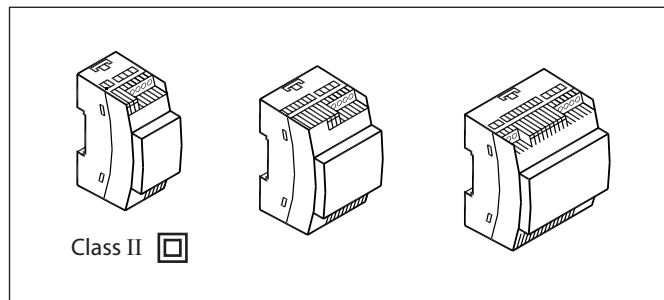
On DIN-rail

### Effect

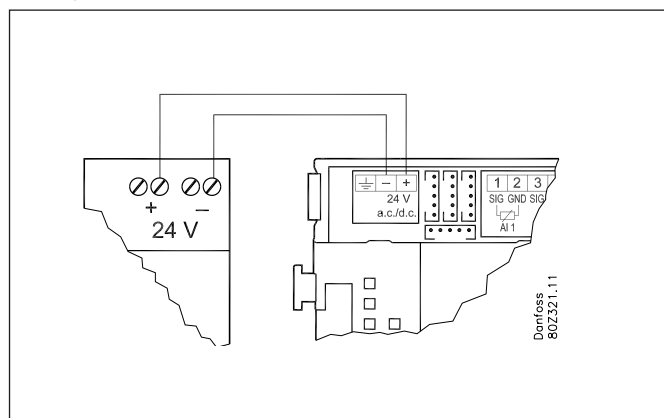
Type	Output tension	Output current	Power
AK-PS 075	24 V DC	0.75 A	18 VA
AK-PS 150	24 V DC (adjustable)	1.5 A	36 VA
AK-PS 250	24 V DC (adjustable)	2.5 A	60 VA

### Dimension

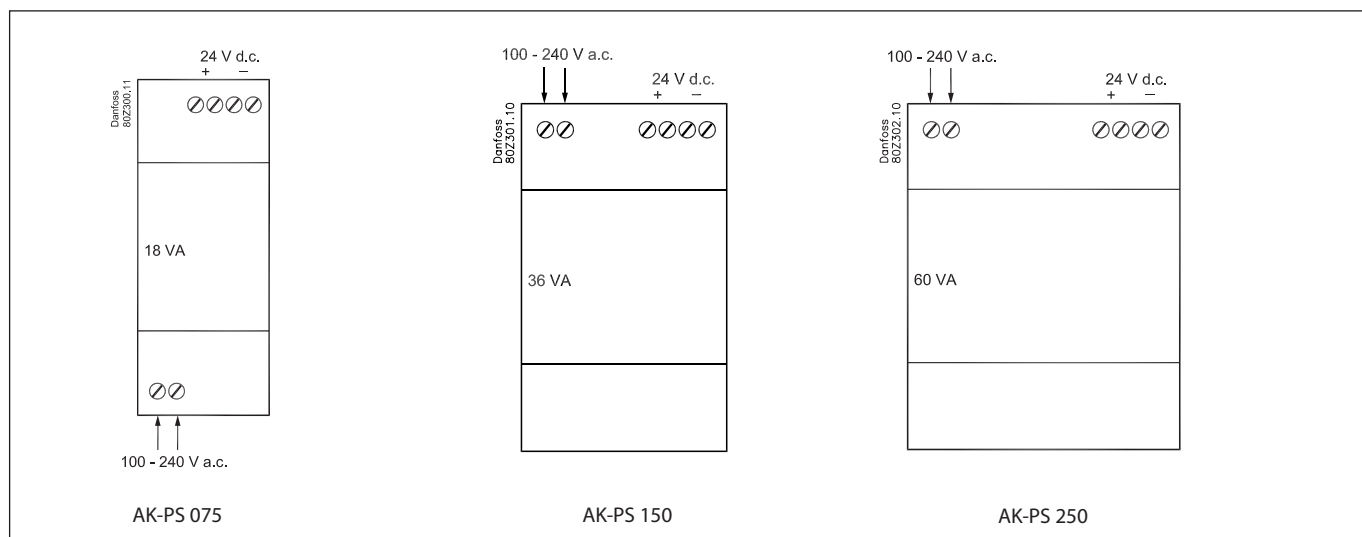
Type	High	Width
AK-PS 075	90 mm	36 mm
AK-PS 150	90 mm	54 mm
AK-PS 250	90 mm	72 mm



### Supply to a controller



### Connections



## Communication module AK-CM 102

### Function

The module is a new communication module, meaning the row of extension modules can be interrupted.

The module communicates with the regulator via data communication and forwards information between the controller and the connected extension modules.

### Connection

Communication module and controller fitted with RJ 45 plug connectors.

**Nothing** else should be connected to this data communication; a maximum of 5 communication modules can be connected to one controller.

### Communication cable

One metre of the following is enclosed:  
ANSI/TIA 568 B/C CAT5 UTP cable w/ RJ45 connectors.

### Positioning

Max. 30 m from the controller  
(The total length of the communication cables is 30 m)

### Supply voltage

24 volt AC or DC should be connected to the communication module.

The 24 V can be sourced from the same supply that supplies the controller. (The supply for the communication module is galvanically separated from the connected extension modules).

The terminals must **not** be earthed.

The power consumption is determined by the power consumption of the total number of modules.

The controller strand load must not exceed 32 VA.

Each AK-CM 102 strand load must not exceed 20 VA.

### Point

Connection points on the I/O modules should be defined as if the modules were an extension of each other.

### Address

The address for the first communication module should be set to 1. Any second module should be set to 2. A maximum of 5 modules can be addressed.

### Termination

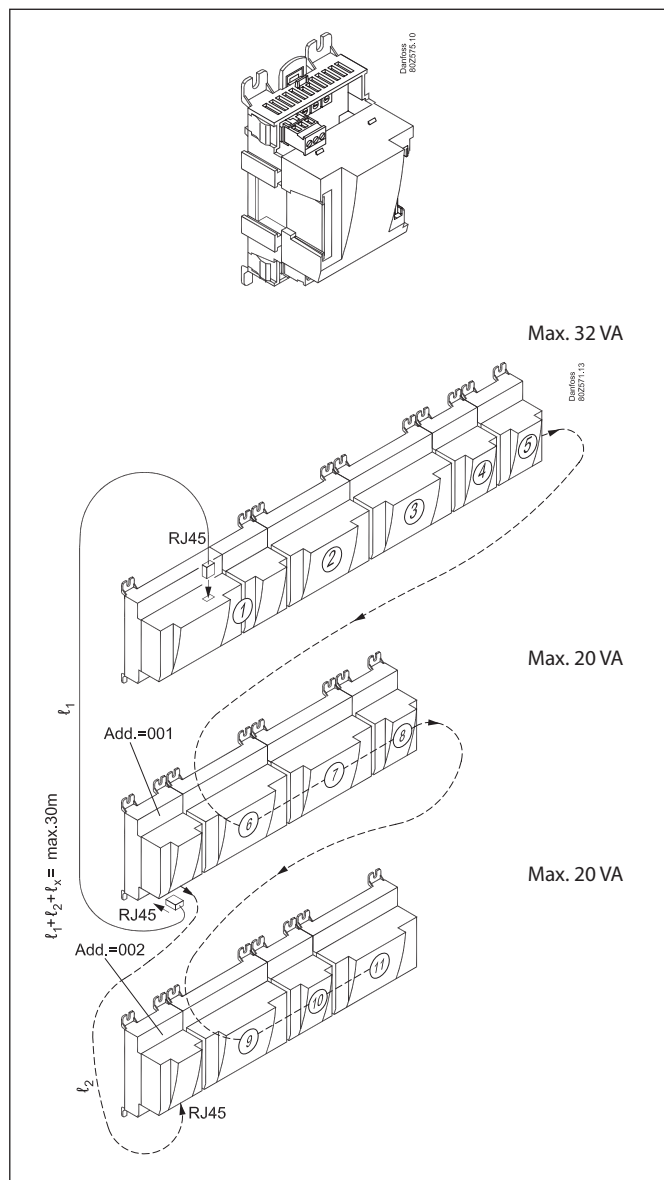
The termination switch on the final communication module should be set to ON.

The controller should permanently be set to = ON.

### Warning!

Additional modules may only be installed following the installation of the final module. (Here following module no. 11; see the sketch.)

After configuration, the address must not be changed.





## Preface to design

Be aware of the following when the number of extension modules is being planned. A signal may have to be changed, so that an additional module may be avoided.

- An ON/OFF signal can be received in two ways. Either as a contact signal on an analogue input or as voltage on a low or high-voltage module.
- An ON/OFF output signal can be given in two ways. Either with a relay switch or with solid state. The primary difference is the permitted load and that the relay switch contains a cut-out switch.

## Functions

### Clock function

Clock function and change-over between summer time and winter time are contained in the controller.

The clock setting is maintained for at least 12 hours at a power failure.

The clock setting is kept updated if the controller is linked up in a network with a system manager.

### Start/stop of regulation

Regulation can be started and stopped via the software. External start/stop can also be connected.

Warning!

The function stops all regulation, including any high-pressure regulation.

Excess pressure can lead to a loss of charge.

### Start/stop of compressors

External start/stop can be connected.

### Alarm function

If the alarm is to be sent to a signal transmitter, a relay output will have to be used.

Mentioned below are a number of functions and connections that may have to be considered when a regulation has to be planned. There are more functions in the controller than the ones mentioned here, but those mentioned have been included in order for the need for connections to be established.

### I'm alive function

A relay can be reserved which is pulled during normal regulation. The relay will be released if the regulation stops with the main switch or if the controller fails.

### Extra temperature sensors and pressure sensors

If additional measurements have to be carried out beyond the regulation, sensors can be connected to the analogue inputs.

### Forced control

The software contains a forced control option. If an extension module with relay outputs is used, the module's top part can be with change-over switches – switches that can override the individual relays into either OFF or ON position.

Wiring should be done with a safety relay. See Regulating functions.

### Data communication

The controller module has terminals for LON data communication. The requirements to the installation are described in a separate document.

## Connections

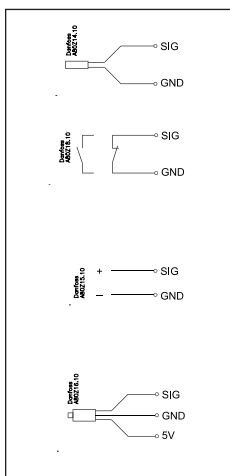
In principle there are the following types of connections:

### Analogue inputs "AI"

This signal must be connected to two terminals.

Signals can be received from the following sources:

- Temperature signal from Pt 1000 ohm temperature sensor
- Pulse signal or reset signal
- Contact signal where the input is short-circuited or "opened", respectively
- Voltage signal from 0 to 10 V
- Signal from pressure transmitter AKS 32, AKS 32R, AKS 2050 or MBS 8250.
- The supply voltage is supplied from the module's terminal board where there is both a 5 V supply and a 12 V supply. When programming, the pressure transmitter's pressure range must be set.



ON/OFF output signals "DO"

There are two types, as follows:

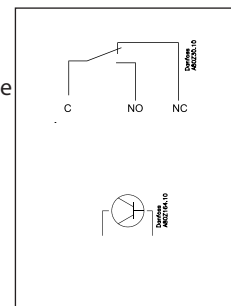
#### • Relay outputs

All relay outputs are with change-over relay so that the required function can be obtained when the controller is without voltage.

#### • Solid state outputs

Reserved for ejector valves, oil valves and AKV valves, but output can cut an external relay in and out, as with a relay output.

The output is only found on the controller module.



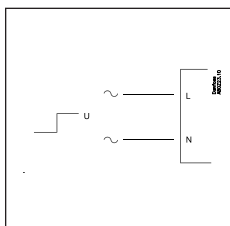
When programming, the function must be set:

- Active when the output is activated
- Active when the output is not activated.

### ON/OFF voltage inputs "DI"

This signal must be connected to two terminals.

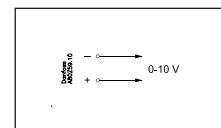
- The signal must have two levels, either 0 V or "voltage" on the input. There are two different extension modules for this signal type:
  - low-voltage signals, e.g. 24 V
  - high-voltage signals, e.g. 230 V



### Analogue output signal "AO"

This signal is to be used if a control signal is to be transmitted to an external unit, e.g. a frequency converter.

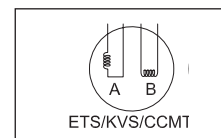
When programming, the signal range must be defined: 0-5 V, 1-5 V, 0-10 V or 2-10 V.



Pulse signal for the stepper motors.

This signal is used by valve motors of the type ETS, KVS, CCM and CCMT.

The valve type should be set during programming.



When programming, the function must be set:

- Active when the input is without voltage
- Active when voltage is applied to the input.

## Limitations

As the system is very flexible regarding the number of connected units, you must check whether your selection complies with the few limitations there are.

The complexity of the controller is determined by the software, the size of the processor, and the size of the memory. It provides the controller with a certain number of connections from which data can be downloaded, and others where coupling with relays can be performed.

- ✓ The sum of connections cannot exceed **220** (AK-PC 782A).
- ✓ The number of extension modules must be limited so that the total power in a row will not exceed **32 VA** (including controller). If the AK-CM 102 communication module is used, each row of AK-CM 102 must not exceed 20 VA (incl. AK-CM 102). There must not be more than a total of 18 modules (controller + 17 modules).
- ✓ No more than **5** pressure transmitters may be connected to one controller module.
- ✓ No more than **5** pressure transmitters may be connected to one extension module.

### Common pressure transmitter

If several controllers receive a signal from the same pressure transmitter, the supply to the affected controllers must be wired so that it is not possible to switch off one of the controllers without also switching off the others. (If one controller is switched off, the signal will be pulled down, and all the other controllers will receive a signal which is too low).

### Ejector valves

If ejector valves are used, the smallest ones must be connected to the solid state outputs.

## Design of a compressor and condenser control

Procedure:

1. Make a sketch of the system in question
2. Check that the controller's functions cover the required application
3. Consider the connections to be made
4. Use the planning table → Note down the number of connections → add up
5. Are there enough connections on the controller module?  
– If not, can they be obtained by changing an ON/OFF input signal from voltage signal to contact signal, or will an extension module be required?
6. Decide which extension modules are to be used
7. Check that the limitations are observed
8. Calculate the total length of modules
9. The modules are linked together
10. The connection sites are established
11. Draw a connection diagram or a key diagram
12. Size of supply voltage/transformer

### 1. Sketch

Make a sketch of the system in question.

### 2. Compressor and condenser functions

	AK-PC 782A
<b>Application</b>	
Both compressor group and condenser group	x
Booster group	x
Parallel compressor	x
<b>Regulation of compressor capacity</b>	
Regulation sensor. P0	x
PI-regulation	x
Max. number of compressor steps: MT+IT / LT	8 / 4
Max. number of unloaders each compressor	3
Identical compressor capacities	x
Different compressor capacities	x
Speed regulation of 1 or 2 compressors	x
Run time equalisation	x
Min. restart time	x
Min. On-time	x
Ejector regulation	x
Liquid injection in suction line	x
Liquid injection in cascade heat exchanger	x
External start/stop of compressors	x

<b>Oil management</b>	
Receiver pressure control	x
Monitoring of oil level in receiver	x
Management of oil level in oil separator	x
<b>Suction pressure reference</b>	
Override via P0 optimization	x
Override via "night setback"	x
Override via "0 -10 V signal"	x
<b>Regulation of condenser capacity</b>	
Regulation sensor. Sgc or S7	x
Step regulation	x
Max. number of steps	8
Speed regulation	x
Step and speed regulation	x
Speed regulation first step	x
Limitation of speed during night operation	x
Heat recovery function for tap water control	x
Heat recovery function for heating	x
Controlling the gas cooler (high pressure valve). parallel valve, if applicable	x

<b>Condenser pressure reference</b>	
Floating condensing pressure reference	x
Setting of references for heat recovery functions	x
<b>Safety functions</b>	
Min. suction pressure	x
Max. suction pressure	x
Max. condensing pressure	x
Max. discharge gas temperature	x
Min. / Max. superheat	x
Safety monitoring of compressors	x
Common high pressure monitoring of compressors	x

Safety monitoring of condenser fans	x
General alarm functions with time delay	10
<b>Miscellaneous</b>	
Extra sensors	7
Inject On function	x
Option for connection of separate display	4 + 1
Separate thermostat functions	5
Separate pressostat functions	5
Separate voltage measurements	5
PI regulation	3
Max. input and output	220

### A bit more about the functions

#### Compressor

Regulation of up to 8 MT/IT compressors and up to 4 LT compressors. All with up to 3 unloaders per compressor. Compressor No. 1 or 2 can be speed-regulated. The following can be used as control sensor: P0 - Suction pressure

#### Condenser

Regulation of up to 8 condenser steps. Fans can be speed-regulated. Either all on one signal or only the first fan of several. EC motor can be used. Relay outputs and solid state outputs may be used, as desired. The following can be used as control sensor:  
 1) Sgc -Temperature at the gas cooler outlet.  
 2) S7 - Warm brine temperature (Pc is used here for high-pressure safety.)

#### Speed regulation of condenser fans

The function requires an analogue output module. A relay output may be used for start/stop of the speed regulation. The fans may also be cut in and out by relay outputs.

#### Pulse wide modulating unloading

When using a compressor with PWM-unloading, the unloading should be connected to one of the four solid state outputs in the controller.

#### Heat recovery

There are adjustment options for hot water and heat containers for heating. The controller manages, in order of priority: 1-tap water, 2-heating, 3-gas cooler, which removes the remaining excess heat.

#### Safety circuit

If signals are to be received from one or more parts of a safety circuit, each signal must be connected to an ON/OFF input.

#### Day/night signal for raising the suction pressure

The clock function can be used, but an external ON/OFF signal may be used instead. If the "P0 optimization" function is used, no signal will be given concerning the raising of the suction pressure. The P0 optimization will see to this.

#### "Inject ON" override function

The function closes expansion valves on evaporator controls when all compressors are prevented from starting. The function can take place via the data communication, or it may be wired via a relay output.

#### Separate thermostat and pressure control functions

A number of thermostats can be used according to your wishes. The function requires a sensor signal and a relay output. In the controller there are settings for cut-in and cut-out values. An associated alarm function may also be used.

#### Separate voltage measurements

A number of voltage measurements can be used according to your wishes. The signal can for example be 0-10 V. The function requires a voltage signal and a relay output. In the controller there are settings for cut-in and cut-out values. An associated alarm function may also be used.

If you want to know more about the functions, go to chapter 5.

### 3. Connections

Here is a survey of the possible connections. The texts can be read in context with the table on the following page.

#### Analogue inputs

##### Temperature sensors

- Ss (suction gas temperature)  
Must always be used in connection with compressor regulation.
- Sd (discharge gas temperature)  
Must always be used in connection with compressor regulation.
- Sc3 (outdoor temperature)  
Must be used when regulation is performed with floating condenser reference.
- S7 (warm brine return temperature)  
Must be used when the control sensor for condenser has been selected as S7.
- Saux (1-4), any extra temperature sensors  
Up to four additional sensors for monitoring and data collection may be connected. These sensors can be used for general thermostat functions.

- Stw2, 3, 4 and 8 (temperature sensors for heat recovery)  
Must be used when adjusting hot tap water.
- Shr2, 3, 4 and 8 (temperature sensors for heat recovery)  
Must be used when adjusting the heat receiver for heating.
- Sgc (temperature sensor for gas cooling controls)  
Shall be placed within one metre after the gas cooler.
- Shp (temperature sensor, if the refrigerant can be routed outside of the gas cooler)

##### Pressure transmitters

- P0 Suction Pressure  
Must always be used in connection with compressor regulation (frost protection).
- Pc Condensing Pressure  
Must always be used in connection with compressor or condenser regulation
- Prec. Oil receiver pressure. Must be used for receiver pressure regulation.
- Pgc Gas cooler pressure.
- Prec. Pressure reading in the CO<sub>2</sub> receiver.
- Paux (1-5)

Up to 5 extra pressure transmitters can be connected for monitoring and data collection. These sensors can be used for general pressure switch functions.

Note: A pressure transmitter type AKS 32, AKS 32R or MBS 8250 can supply signals to a maximum of five controllers.

**Voltage signal**

- Ext. Ref  
Used if a reference override signal is received from another control.
- Voltage inputs (1-5)  
Up to 5 extra voltage signals can be connected for monitoring and data collection. These signals are used for general voltage input functions.

**On/Off-inputs**

- **Contact function** (on an analogue input) or **voltage signal** (on an extension module)
- Common safety input for all compressors (e.g. common high-pressure/low-pressure pressure switch)
- Up to 6 signals from the safety circuit of each compressor
- Signal from the condenser fan's safety circuit
- Any signal from the frequency converter's safety circuit
- External start/stop of regulation
- External day/night signal (raise/lower the suction pressure reference). The function is not used if the "P0 optimization" function is used.
- DI alarm (1-10) inputs  
Up to 10 no. extra on/off signals for general alarm for monitoring and data collection can be connected.
- Flow switch for heat recovery

- Level contacts
- Level contact on suction accumulator
- **On/off-outputs**
- **Relay outputs**
- Compressors
- Unloaders
- Fan motor
- Injection On function (signal for evaporator controls. One per suction group).
- Start/stop of liquid injection in suction line
- Start/stop of 3-way valves at heat recovery
- ON/OFF signal for start/stop of speed regulation
- Alarm relay. I'm alive relay.
- Status relay: Floating allowed / not allowed
- On/off signals from general thermostats (1-5), pressure switches (1-5) or voltage input functions (1-5).
- Oil valves

**Solid state outputs**

These are primarily for ejector valves, oil valves and AKV valves. The solid state outputs on the controller module may be used for the same functions as those mentioned under "relay outputs". (The output will always be "OFF" when the controller has a power failure).

**Analogue output**

- Speed regulation of the condenser's fans.
- Speed regulation of the compressor
- Speed control of pumps for heat recovery
- Control signal for high pressure valve Vhp. (stepper signal - if applicable)
- Stepper signal for hot gas by-pass valve

**Example**

**Compressor group:**

**MT circuits:**

- 3 compressors with "cyclic". One speed controlled
- Safety monitoring of each compressor
- Common high-pressure monitoring
- Po setting -10 °C, Po optimization from the system unit

**LT circuits:**

- 2 x compressors with "cyclic". One speed controlled
- Safety monitoring of each compressor
- Common high pressure monitoring
- Po setting -30 °C, Po optimization from the system unit

**IT circuit:**

- 1 compressor, speed controlled
- Receiver set point 36 bar

**High pressure controls:**

- Heat recovery for tap water
- Gas cooler
- Fans, speed controlled

**Receivers:**

- Optimal CO<sub>2</sub> receiver pressure
- Monitoring CO<sub>2</sub>-level in the receiver
- Monitoring of high and low pressure
- Controlling the tap water receiver temperature, 55°C

**Fan in plant room**

- Thermostat control of fan in engine room

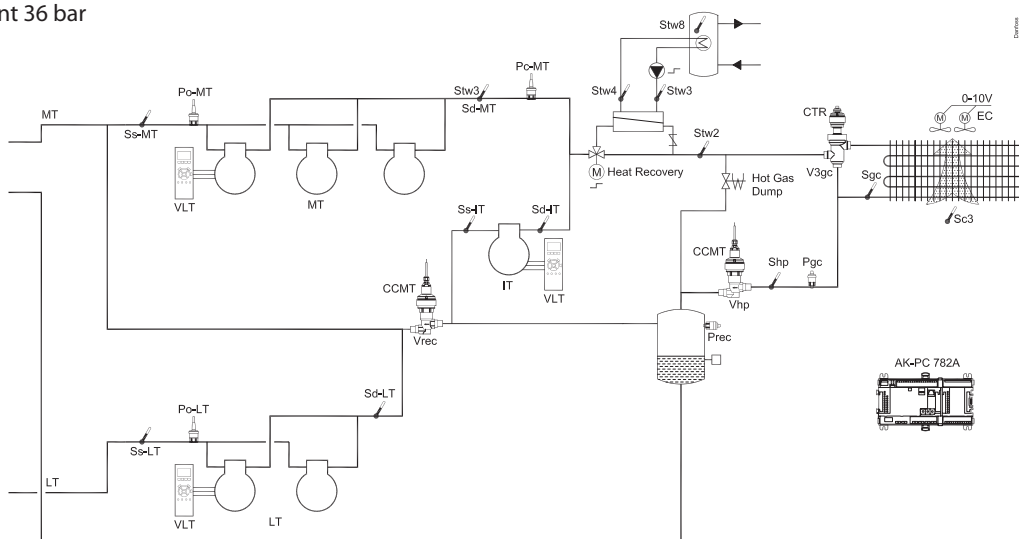
**Safety functions:**

- Monitoring of Po, Pc, Sd and superheat in suction line
- MT: Po max = -5 °C, Po min = -35 °C
- MT: Pc max = 110 bar
- MT: Sd max = 120 °C

- LT: Po max = -5 °C, Po min = -45 °C
- LT: Pc max = 40 bar
- LT: Sd max = 100 °C
- SH min = 5 °C, SH max = 35 °C

**Other:**

- Start/stop of heat recovery to Tw
  - External main switch used
- Data from this example is used on the next page.*  
*The result is that the following modules should be used:*
- AK-PC 782A controller
  - AK-XM 205A input and output module
  - AK-XM 208C stepper output module
  - AK-XM 103B analogue input and output module
  - AK-OB 110 analogue output module



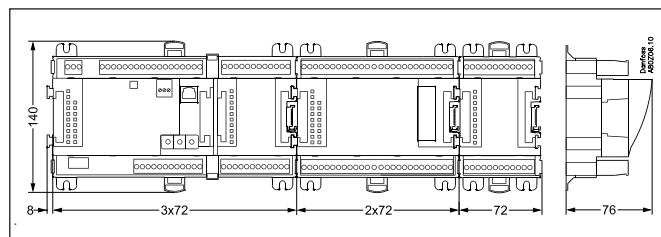




### 8. Length

If you use many extension modules, the controller's length will grow accordingly. The row of modules is a complete unit which cannot be broken.  
 If the row becomes longer than desired, the row can be broken by using AK-CM 102.

The module dimension is 72 mm.  
 Modules in the 100-series consist of one module.  
 Modules in the 200-series consist of two modules.  
 The controller consist of three modules.  
 The length of an aggregate unit =  $n \times 72 + 8$



or in an other way:

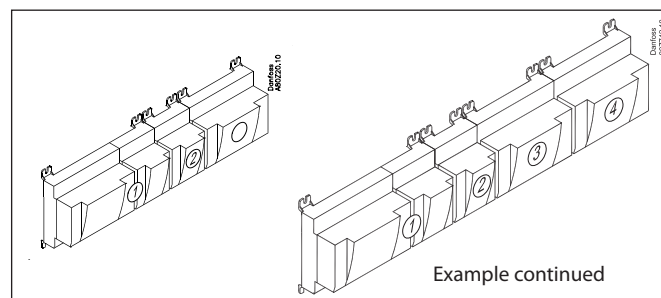
Module	Type	No.	at	Length
Controller module		1	x 224	= 224 mm
Extension module	200-series	_	x 144	= ___ mm
Extension module	100-series	_	x 72	= ___ mm
<b>Total length</b>				= ___ mm

Example continued:  
 Controller module + 2 extension modules in 200-series + 1 extension module in 100 series =  
 $224 + 144 + 144 + 72 = 584$  mm.

### 9. Linking of modules

Start with the controller module and then mount the selected extension modules. The sequence is of no importance.

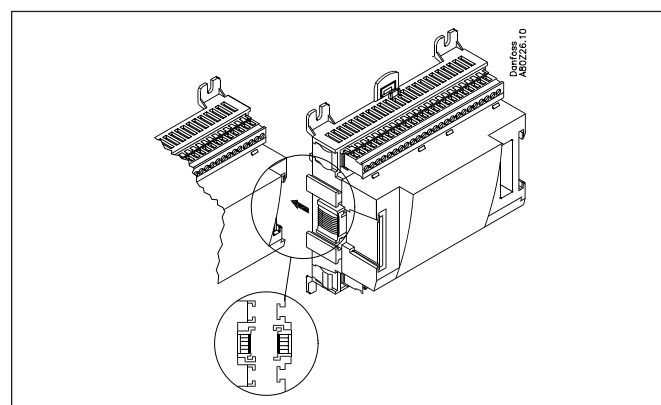
However, you must **not** change the sequence, i.e. rearrange the modules, after you have made the set-up where the controller is told which connections are found on which modules and on which terminals.



The modules are attached to one another and kept together by a connection which at the same time transmits the supply voltage and the internal data communication to the next module.

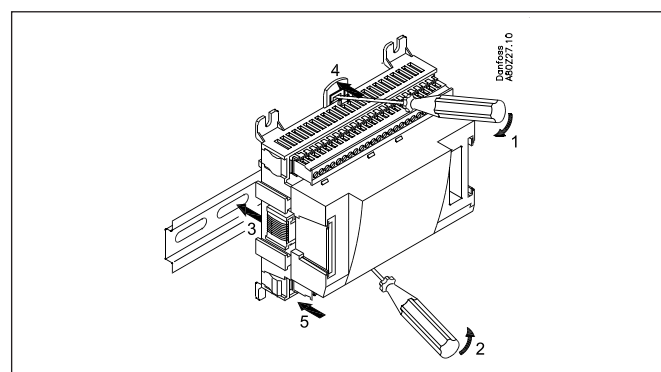
Mounting and removal must always be performed when there is no voltage.

The protective cap mounted on the controller's plug connection must be moved to the last vacant plug connection so that the plug will be protected against short-circuit and dirt.



When the regulation has started, the controller will check all the time whether there is connection to the connected modules. This status can be followed by the light-emitting diode.

When the two catches for the DIN rail mounting are in open position, the module can be pushed into place on the DIN rail – no matter where in the row the module is found.  
 Removal is likewise carried out with the two catches in the open position.



### 10. Determine the connection points

All connections must be programmed with module and point, so in principle it does not matter where the connections are made, as long as it takes place on a correct type of input or output.

- The controller is the first module, the next one is 2, etc.
- A point is the two or three terminals belonging to an input or output (e.g. two terminals for a sensor and three terminals for a relay).

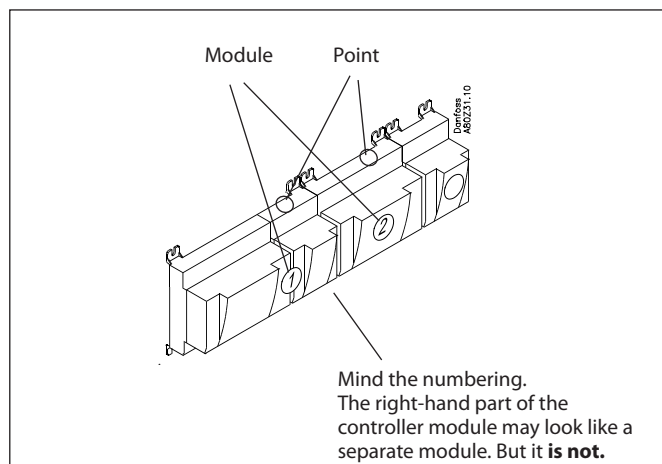
The preparation of the connection diagram and the subsequent programming (configuration) should take place at the present time. It is most easily accomplished by filling in the connection survey for the relevant modules.

Principle:

Name	On module	On Point	Function
fx Compressor 1	x	x	Close
fx Compressor 2	x	x	Close
fx Alarm relay	x	x	NC
fx Main switch	x	x	Close
fx PO	x	x	AKS 2050-1 to 159 bar

The connection survey from the controller and any extension modules are uploaded from the paragraph "Module survey. E.g. controller module:

Signal	Module	Point	Terminal	Signal type / Active at
		1 (AI 1)	1 - 2	
		2 (AI 2)	3 - 4	
		3 (AI 3)	5 - 6	



**Note:** The safety relays should not be fitted onto a module with override changeovers, as they can be put out of operation by an incorrect setting.

- Columns 1, 2, 3 and 5 are used for the programming.
- Columns 2 and 4 are used for the connection diagram.

### Example continued

Signal	Module	Point	Terminal	Signal type / Active at
Discharge temperature - Sd-MT	1	1 (AI 1)	1 - 2	Pt 1000
Suction gas temperature- Ss-MT		2 (AI 2)	3 - 4	Pt 1000
Discharge temperature - Sd-IT		3 (AI 3)	5 - 6	Pt 1000
Suction gas temperature- Ss-IT		4 (AI 4)	7 - 8	Pt 1000
Thermostat sensor in plant room - Saux1		5 (AI 5)	9 - 10	Pt 1000
Suction pressure - P0-MT		6 (AI 6)	11 - 12	AKS 2050-59
Condensing pressure - Pc-MT		7 (AI 7)	13 - 14	AKS 2050-159
Tap water temperature - Stw8		8 (AI 8)	19 - 20	Pt 1000
Temp. gas cooler output Sgc		9 (AI 9)	21 - 22	Pt 1000
Gas cooler pressure Pgc		10 (AI 10)	23 - 24	AKS 2050-159
Refrigerant receiver, Prec CO <sub>2</sub>		11 (AI 11)	25 - 26	AKS 2050-159
Hot gas dump		12 (DO 1)	31 - 32	ON
Circulation pump tw		13 (DO 2)	33 - 34	ON
		14 (DO 3)	35 - 36	
		15 (DO 4)	37 - 38	
MT Compressor 1 (VLT start)		16 (DO 5)	39 - 40 - 41	ON
MT Compressor 2		17 (DO6)	42 - 43 - 44	ON
MT Compressor 3		18 (DO7)	45 - 46 - 47	ON
IT Compressor (VLT start)		19 (DO8)	48 - 49 - 50	ON
Speed control MT compressor		24	-	0-10 V
Speed control IT compressor		25	-	0-10 V

Signal	Module	Point	Terminal	Signal type / Active at
Temp. by-passed gas Shp	2	1 (AI 1)	1 - 2	Pt 1000
Level switch, CO <sub>2</sub> receiver		2 (AI 2)	3 - 4	Open
Start/stop heat recovery tw		3 (AI 3)	5 - 6	Closed
Outdoor temperature, Sc3		4 (AI 4)	7 - 8	Pt 1000
Speed control LT compressor		5 (AO 1)	9 - 10	0 - 10 V
Speed control, gas cooler fan		6 (AO 2)	11 - 12	0 - 10 V
Speed control, pump - tw		7 (AO 3)	13 - 14	0 - 10 V
		8 (AO 4)	15 - 16	

Signal	Module	Point	Terminal	Signal type / Active at
MT compressor 1 safety circuits	3	1 (AI 1)	1 - 2	Open
MT compressor 2 safety circuits		2 (AI 2)	3 - 4	Open
MT compressor 3 safety circuits		3 (AI 3)	5 - 6	Open
		4 (AI 4)	7 - 8	
LT compressor 1 safety circuits		5 (AI 5)	9 - 10	Open
LT compressor 2 safety circuits		6 (AI 6)	11 - 12	Open
Heat recovery tw2		7 (AI 7)	13 - 14	Pt 1000
Heat recovery tw3		8 (AI 8)	15 - 16	Pt 1000
Signal to by-pass valve, Vrec		9 (step 1)	25 - 26 - 27 - 28	CCMT
Signal to high pressure valve, Vhp		10 (step 2)	29 - 30 - 31 - 32	CCMT
Signal to 3-way valve V3gc		11 (step 3)	33 - 34 - 35 - 36	CTR
		12 (step 4)	37 - 38 - 39 - 40	

Signal	Module	Point	Terminal	Signal type / Active at
Discharge temperature - Sd-LT	4	1 (AI 1)	1 - 2	Pt 1000
Suction gas temperature - Ss-LT		2 (AI 2)	3 - 4	Pt 1000
External main switch		3 (AI 3)	5 - 6	Closed
MT Compressors common safety circuits		4 (AI 4)	7 - 8	Open
IT Compressors common safety circuits		5 (AI 5)	13 - 14	Open
LT Compressors common safety circuits		6 (AI 6)	15 - 16	Open
Heat recovery tw4		7 (AI 7)	17 - 18	Pt 1000
Suction pressure - P0-LT		8 (AI 8)	19 - 20	AKS 2050-59
LT Compressor 1 (VLT start)		9 (DO 1)	25 - 26 - 27	ON
LT Compressor 2		10 (DO 2)	28 - 29 - 30	ON
Fan motors (VLT start)		11 (DO 3)	31 - 32 - 33	ON
		12 (DO 4)	34 - 35 - 36	
3-way valve, tap water, Vtw		13 (DO 5)	37 - 38 - 39	ON
		14 (DO6)	40 - 41 - 42	
Room fan		15 (DO7)	43 - 44 - 45	ON
		16 (DO8)	46 - 47 - 48	

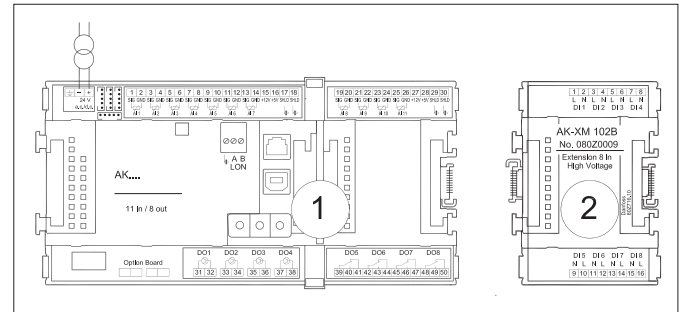


### 11. Connection diagram

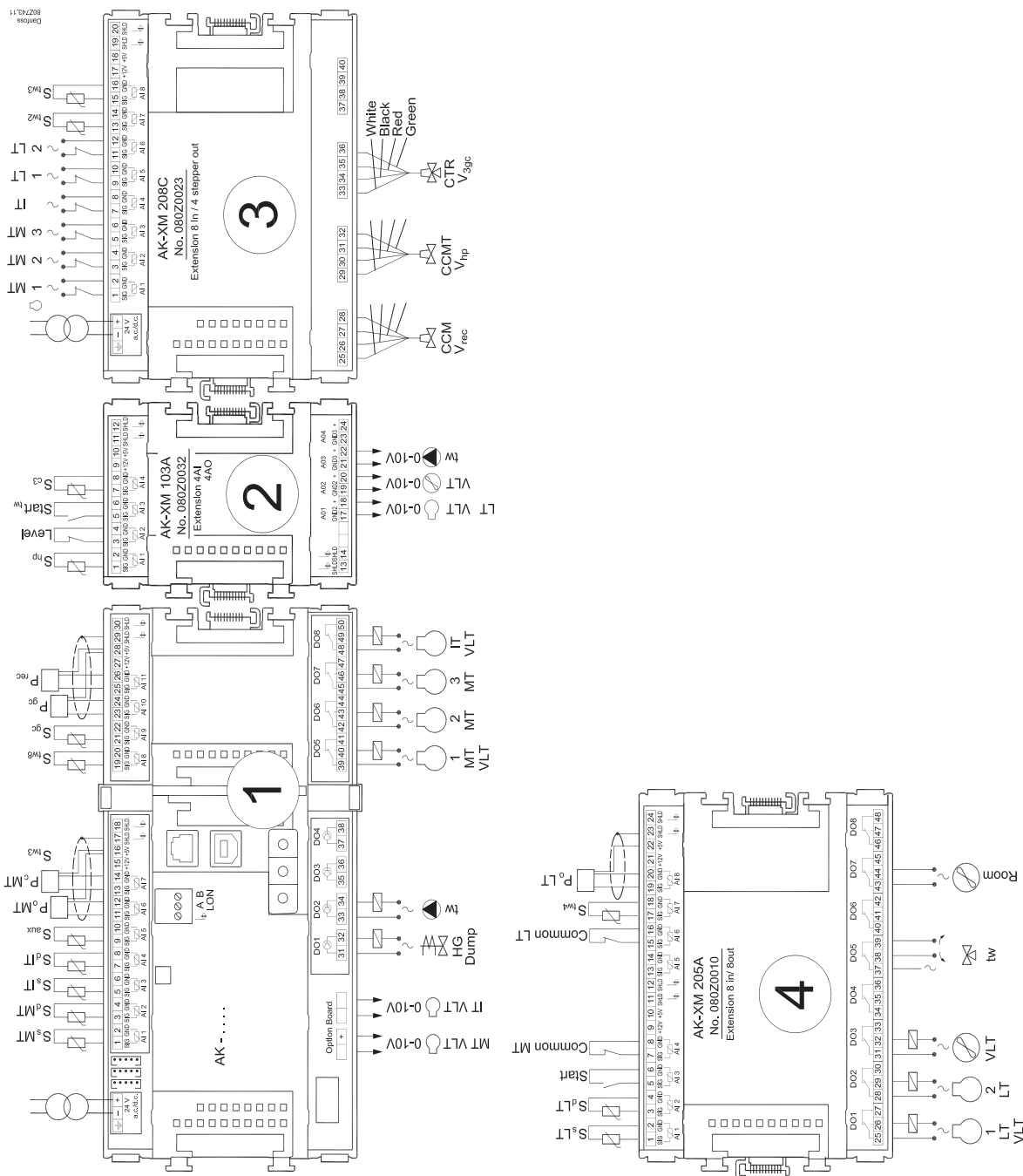
Drawings of the individual modules may be ordered from Danfoss. Format = dwg and dxf.

You may then yourself write the module number in the circle and draw the individual connections.

The supply voltage for the pressure transmitter should be taken from the same module that receives the pressure signal. The screen on the pressure transmitter cables must only be connected at the end of the controller.



Example continued:



## 12. Supply voltage

Supply voltage is only connected to the controller module. The supply to the other modules is transmitted via the plug between the modules.

The supply must be 24 V +/-20%. One power supply must be used for each controller. The power supply must be a class II.

The 24 V must not be shared by other controllers or units. The analogue inputs and outputs are **not** galvanically separated from the supply.

The + and – 24V input must **not** be earthed.

If using stepper motor valves, the supply for these must be provided from a separate power supply.

For CO<sub>2</sub> facilities, it will also be necessary to safeguard the voltage to the controller and valves using UPS.

### Power supply size

The power consumption grows with the number of modules used:

Module	Type	No.	á	Effect	
Controller		1	x	8 =	8 VA
Extension module	200 series	–	x	5 =	_ VA
Extension module	100 series	–	x	2 =	_ VA
Total					_ VA

### Common pressure transmitter

If several controllers receive a signal from the same pressure transmitter, the supply to the affected controllers must be wired so that it is not possible to switch off one of the controllers without also switching off the others. (If one controller is switched off, the signal will be pulled down, and all the other controllers will receive a signal which is too low)

Example continued:

Controller module	8 VA
+ 2 extension modules in 200 series	10 VA
+ 1 extension module in 100 series	2 VA
	-----
Power supply size (least)	20 VA

+ Separate power supply for the module with the stepper motors:  
 $7,8 + 1,3 + 1,3 + 5,1 = 15,5$  VA.

## Ordering

### 1. Controller

Type	Function	Application	Language	Code no.	Example continued
AK-PC 782A	Controller for capacity control of MT-, LT-, IT- compressors and condensers. With oil management, multi ejector and high pressure regulation	Transcritical CO <sub>2</sub> booster control	English, German, French, Dutch, Italian, Spanish, Portuguese, Danish, Finnish, Russian, Czech, Polish	<b>080Z0192</b>	x

### 2. Extension modules and survey for inputs and outputs

Type	Analogue inputs	On/Off outputs		On/off supply voltage (DI signal)		Analogue outputs	Stepper outputs	Module with switches	Code no.	Example continued
	For sensors, pressure transmitters etc.	Relay (SPDT)	Solid state	Low voltage (max. 80 V)	High voltage (max. 260 V)	0-10 V DC	For valves with step control	For override of relay outputs	With screw terminals	
Controller	11	4	4	-	-	-		-	-	
Extension modules										
AK-XM 101A	8								<b>080Z0007</b>	
AK-XM 102A				8					<b>080Z0008</b>	
AK-XM 102B					8				<b>080Z0013</b>	
AK-XM 103A	4					4			<b>080Z0032</b>	x
AK-XM 204A		8							<b>080Z0011</b>	
AK-XM 204B		8						x	<b>080Z0018</b>	
AK-XM 205A	8	8							<b>080Z0010</b>	x
AK-XM 205B	8	8						x	<b>080Z0017</b>	
AK-XM 208C	8						4		<b>080Z0023</b>	x
The following extension module can be placed on the PC board in the controller module. There is only room for one module.										
AK-OB 110						2			<b>080Z0251</b>	x

### 3. AK operation and accessories

Type	Function	Application	Code no.	Example continued
<b>Operation</b>				
AK-ST 500	Software for operation of AK controllers	AK-operation	<b>080Z0161</b>	x
-	Cable between PC and AK controller	USB A-B (standard IT cable)	-	x
<b>Accessories</b> <b>Power supply module 230 V / 115 V to 24 V DC</b>				
AK-PS 075	18 VA	Supply for controller	<b>080Z0053</b>	x
AK-PS 150	36 VA		<b>080Z0054</b>	x
AK-PS 250	60 VA		<b>080Z0055</b>	
<b>Accessories</b> <b>External display that can be connected to the controller module. For showing, say, the suction pressure</b>				
EKA 163B	Display		<b>084B8574</b>	
EKA 164B	Display with operation buttons		<b>084B8575</b>	
MMIGRS2	Graphic display with operation		<b>080G0294</b>	
-	Cable between EKA display and controller	Length = 2 m	<b>084B7298</b>	
-		Length = 6 m	<b>084B7299</b>	
-	Cable between graphic display type MMIGRS2 and controller (controller with RJ11 plug)	Length = 1.5 m	<b>080G0075</b>	
-		Length = 3 m	<b>080G0076</b>	
<b>Accessories</b> <b>Communication modules for controllers where modules cannot be connected continuously</b>				
AK-CM 102	Communication module	Data communication for external extension modules	<b>080Z0064</b>	

### 3. Mounting and wiring

This section describes how the controller:

- is fitted
- is connected

We have decided to work on the basis of the example we went through previously, i.e. the following modules:

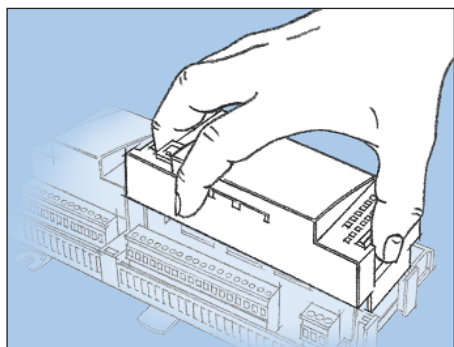
- AK-PC 782A controller module
- AK-XM 205A input and output module
- AK-XM 208C analogue input module + stepper output module
- AK-XM 103B analogue input and output module
- AK-OB 110 analogue output module

#### Mounting

##### Mounting of analogue output module

The basic module must not be connected to voltage.

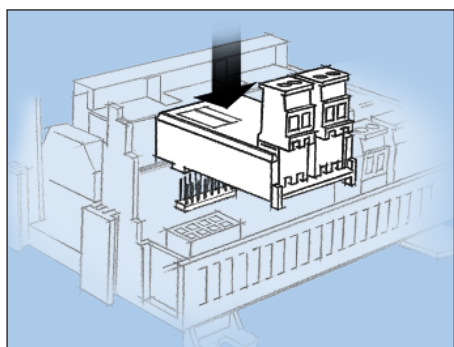
1. Lift the top part off the basic module



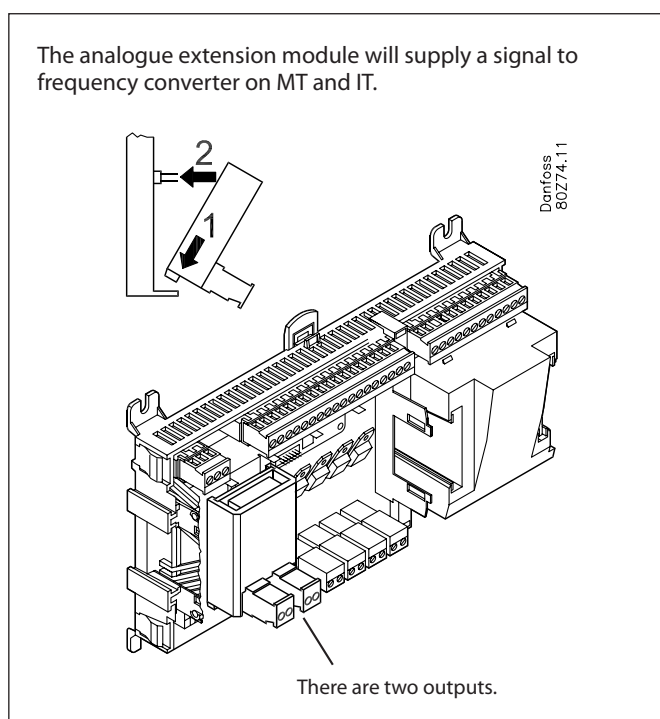
Press in the plate on the left-hand side of the light-emitting diodes and the plate on the right-hand side for the red address changers.

Lift the top part off the basic module.

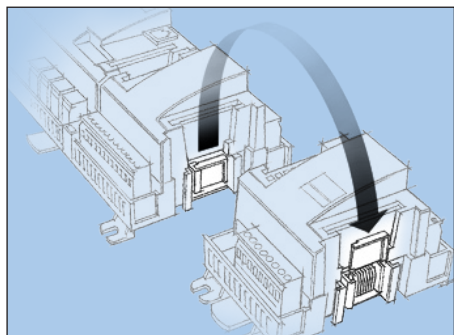
2. Mount the extension module in the basic module



3. Put the top part back onto the basic module

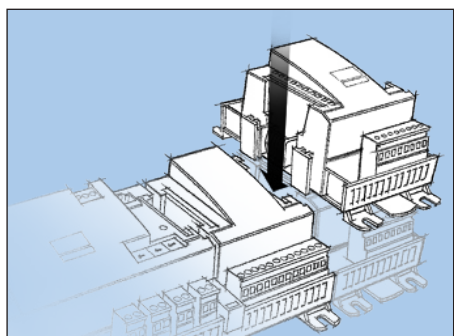


### Mounting of extension module on the basic module



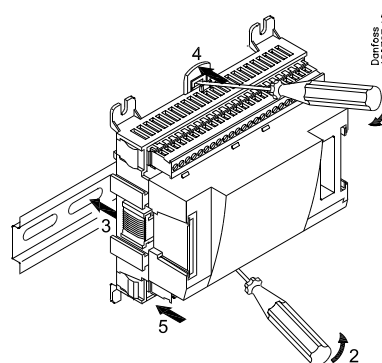
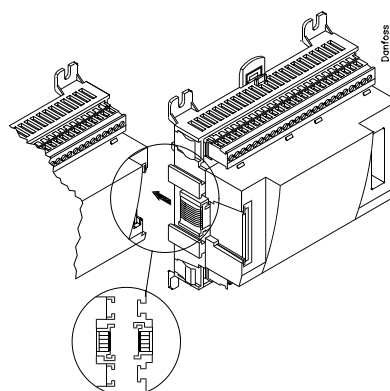
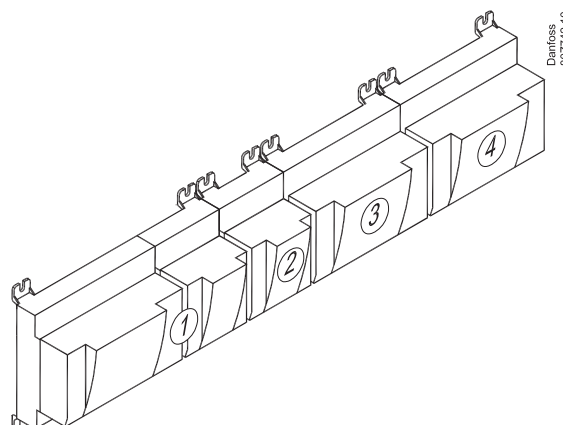
1. Remove the protective cap from the connection plug on the right-hand side of the basic module.  
Place the cap on the connection plug to the right of the extension module that is to be mounted on the extreme right-hand side of the AK assembly.

2. Assemble the extension module and the basic module.  
The basic module must not be connected to voltage.



In our example, three extension modules are to be fitted to the basic module. We have chosen to fit the module with analogue outlets directly on the basic module and then the following module. The sequence is thus:

All the subsequent settings that affect the three extension modules are determined by this sequence.



When the two snap catches for the DIN rail mounting are in the open position, the module can be pushed into place on the DIN rail – regardless of where the module is on the row. Disassembly is thus done with the two snap catches in the open position.

**User Guide | Capacity controller for transcritical CO<sub>2</sub> booster control AK-PC 782A**

**Wiring**

Decide during planning which function is to be connected and where this will be.

**1. Connect inputs and outputs**

Here are the tables for the example:

Remember the isolation amplifier.

If signals are received from different controls, e.g. heat recovery for one of the inputs, a galvanically insulated module should be inserted.

The function of the switch functions can be seen in the last column.

There are pressure transmitters AKS 32R and AKS 2050 available for several pressure ranges. Here there are two different ones. One up to 59 bar and two up to 159 bar.

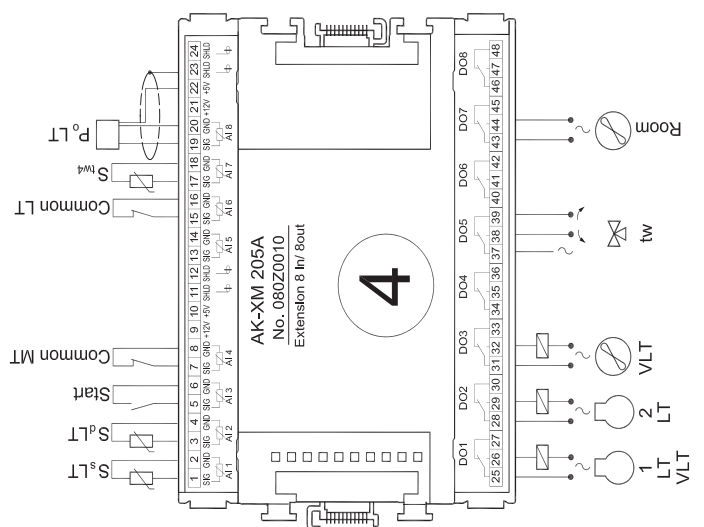
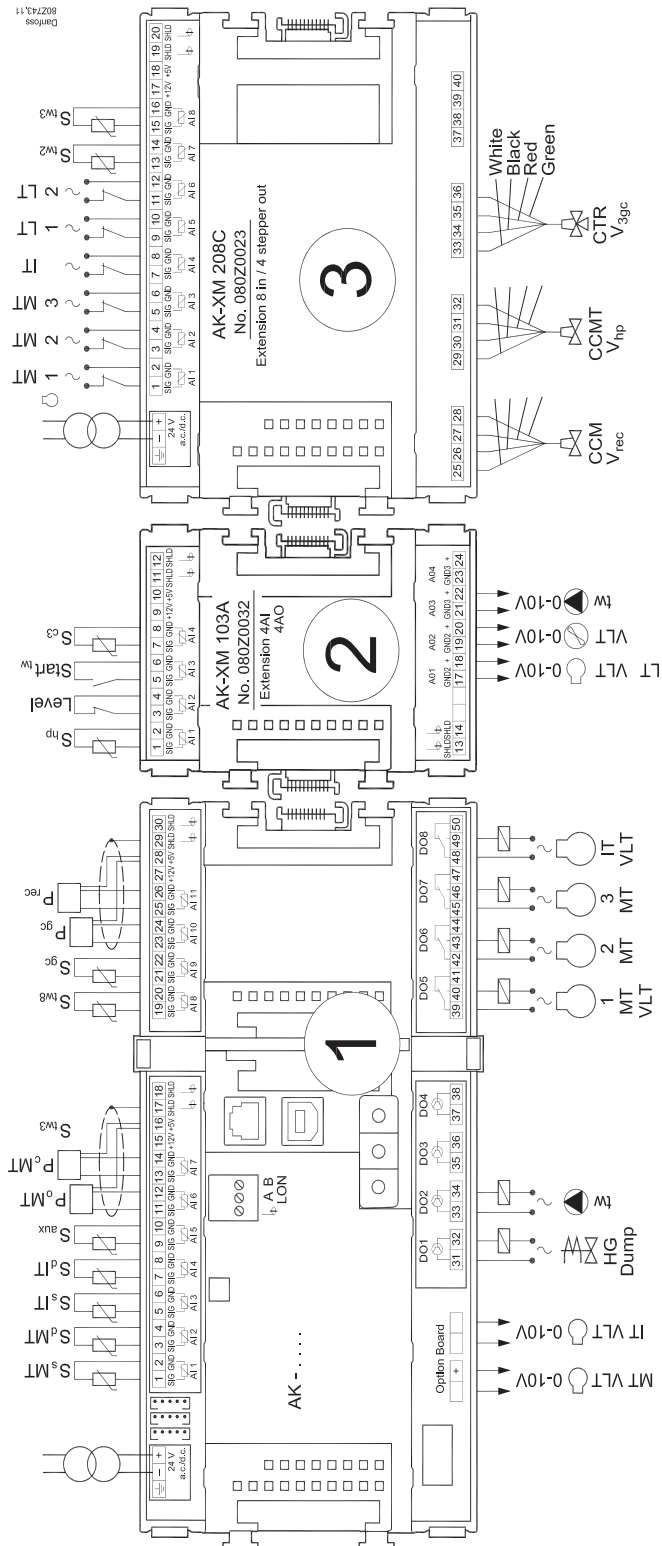
Signal	Module	Point	Terminal	Signal type / Active at
Discharge temperature - Sd-MT	1	1 (AI 1)	1 - 2	Pt 1000
Suction gas temperature- Ss-MT		2 (AI 2)	3 - 4	Pt 1000
Discharge temperature - Sd-IT		3 (AI 3)	5 - 6	Pt 1000
Suction gas temperature- Ss-MT		4 (AI 4)	7 - 8	Pt 1000
Thermostat sensor in plant room - Saux1		5 (AI 5)	9 - 10	Pt 1000
Suction pressure - P0-MT		6 (AI 6)	11 - 12	AKS 2050-59
Condensing pressure - Pc-MT		7 (AI 7)	13 - 14	AKS 2050-159
Tap water temperature - Stw8		8 (AI 8)	19 - 20	Pt 1000
Temp. gas cooler output Sgc		9 (AI 9)	21 - 22	Pt 1000
Gas cooler pressure Pgc		10 (AI 10)	23 - 24	AKS 2050-159
Refrigerant receiver, Prec CO <sub>2</sub>		11 (AI 11)	25 - 26	AKS 2050-159
Hot gas dump		12 (DO 1)	31 - 32	ON
Circulation pump tw		13 (DO 2)	33 - 34	ON
		14 (DO 3)	35 - 36	
		15 (DO 4)	37 - 38	
MT Compressor 1 (VLT start)		16 (DO 5)	39 - 40 - 41	ON
MT Compressor 2		17 (DO6)	42 - 43 - 44	ON
MT Compressor 3		18 (DO7)	45 - 46 - 47	ON
IT Compressor (VLT start)		19 (DO8)	48 - 49 - 50	ON
Speed control MT compressor		24	-	0-10 V
Speed control IT compressor		25	-	0-10 V

Signal	Module	Point	Terminal	Signal type / Active at
Temp. by-pased gas Shp	2	1 (AI 1)	1 - 2	Pt 1000
Level switch, CO2 receiver		2 (AI 2)	3 - 4	Open
Start/stop heat recovery tw		3 (AI 3)	5 - 6	Closed
Outdoor temperature, Sc3		4 (AI 4)	7 - 8	Pt 1000
Speed control LT compressor		5 (AO 1)	9 - 10	0 - 10 V
Speed control, gas cooler fan		6 (AO 2)	11 - 12	0 - 10 V
Speed control, pump - tw		7 (AO 3)	13 - 14	0 - 10 V
		8 (AO 4)	15 - 16	

Signal	Module	Point	Terminal	Signal type / Active at
MT compressor 1 safety circuits	3	1 (AI 1)	1 - 2	Open
MT compressor 2 safety circuits		2 (AI 2)	3 - 4	Open
MT compressor 3 safety circuits		3 (AI 3)	5 - 6	Open
		4 (AI 4)	7 - 8	Open
LT compressor 1 safety circuits		5 (AI 5)	9 - 10	Open
LT compressor 2 safety circuits		6 (AI 6)	11 - 12	Open
Heat recovery tw2		7 (AI 7)	13 - 14	Pt 1000
Heat recovery tw3		8 (AI 8)	15 - 16	Pt 1000
Signal to by-pass valve, Vrec		9 (step 1)	25 - 26 - 27 - 28	CCMT
Signal to high pressure valve, Vhp		10 (step 2)	29 - 30 - 31 - 32	CCMT
Signal to 3-way valves V3gc		11 (step 3)	33 - 34 - 35 - 36	CTR
		12 (step 4)	37 - 38 - 39 - 40	

Signal	Module	Point	Terminal	Signal type / Active at
Discharge temperature - Sd-LT	4	1 (AI 1)	1 - 2	Pt 1000
Suction gas temperature - Ss-LT		2 (AI 2)	3 - 4	Pt 1000
External main switch		3 (AI 3)	5 - 6	Closed
MT Compressors common safety circuits		4 (AI 4)	7 - 8	Open
IT Compressors common safety circuits		5 (AI 5)	13 - 14	Open
LT Compressors common safety circuits		6 (AI 6)	15 - 16	Open
Heat recovery tw4		7 (AI 7)	17 - 18	Pt 1000
Suction pressure - P0-LT		8 (AI 8)	19 - 20	AKS 2050-59
LT Compressor 1 (VLT start)		9 (DO 1)	25 - 26 - 27	ON
LT Compressor 2		10 (DO 2)	28 - 29 - 30	ON
Fan motors (VLT start)		11 (DO 3)	31 - 32 - 33	ON
		12 (DO 4)	34 - 35 - 36	
3-way valve, tap water, Vtw		13 (DO 5)	37 - 38 - 39	ON
		14 (DO6)	40 - 41 - 42	
Room fan		15 (DO7)	43 - 44 - 45	ON
		16 (DO8)	46 - 47 - 48	

The connections for the example can be seen here.



**Warning!**  
Keep signal cables separate from cables with high voltage.

The screen on the pressure transmitter cables must only be connected at the end of the controller.

The supply voltage for the pressure transmitter should be taken from the same module that receives the pressure signal.

Remember separate power supply for AK-XM 208C.

**2. Connect LON communication network**

The installation of the data communication must comply with the requirements set out in document RC8AC.

**3. Connect supply voltage**

The supply voltage is 24 V, and the supply must not be used by other controllers or devices. The terminals must not be earthed.

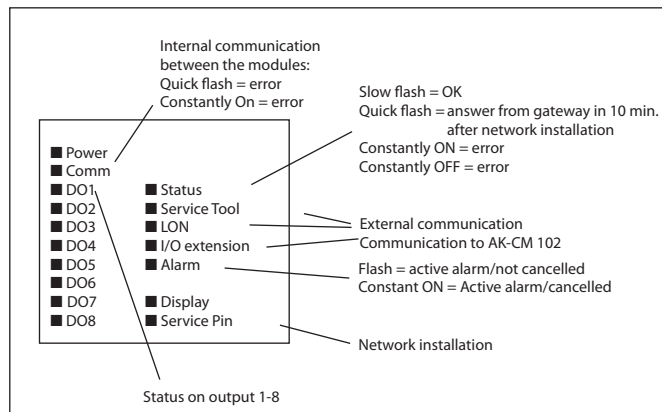
**4. Follow light-emitting diodes**

When the supply voltage is connected, the controller will go through an internal check. The controller will be ready in just under one minute when the light-emitting diode "Status" starts flashing slowly.

**5. When there is a network**

Set the address and activate the Service Pin.

**6. The controller is now ready to be configured.**





## 4. Configuration and operation

This section describes how the controller:

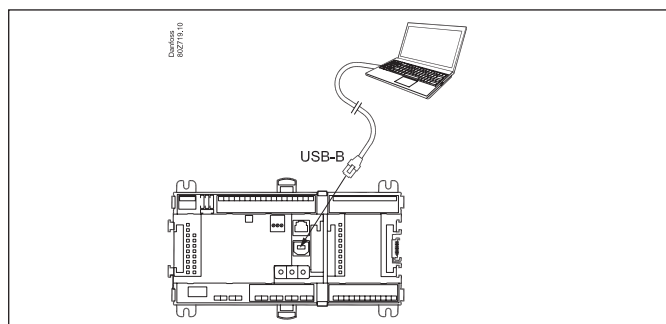
- is configured
- is operated

We have decided to work on the basis of the example we went through previously, i.e. MT-, LT-, IT-control, high pressure control, heat recovery and gas cooler.

### Configuration

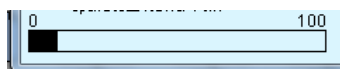
#### Connect PC

PC with the program "Service Tool" is connected to the controller.



For connecting and operating the "AK service tool" software, please see the manual for the software.

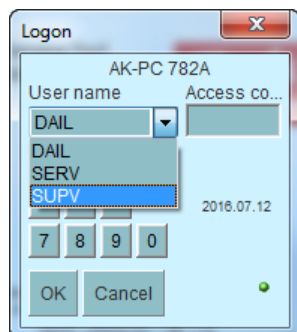
The first time the Service Tool is connected to a new version of a controller, the start-up of the Service Tool will take longer than usual while information is retrieved from the controller. Time can be followed on the bar at the bottom of the display.



The controller must be switched on first and the LED "Status" must flash before the Service Tool program is started.

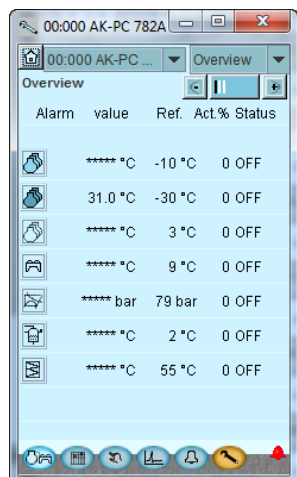
#### Start Service Tool programme

Login with user name SUPV



When the controller is supplied the SUPV access code is 123. When you are logged into the controller, an overview of it will always appear.

Select the name **SUPV** and key in the access code.

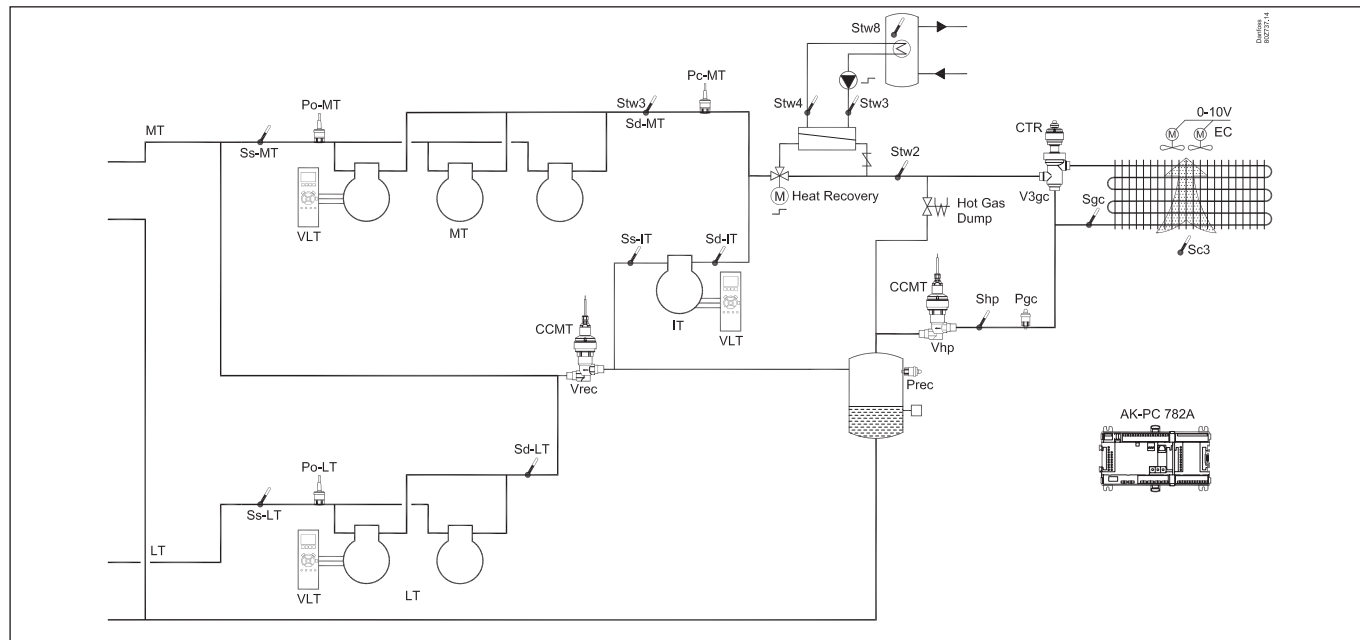


In case the overview is empty: this is because the controller has not yet been set up. The red alarm bell at the bottom right tells you that there is an active alarm in the controller. In our case the alarm is due to the fact that the time in the controller has not yet been set.

Refrigerating plant example:

We have decided to describe the setup by means of an example comprising an MT-, LT- and IT group.

The example is the same as the one given in the "Design" section, i.e. the controller is an AK-PC 782A + extension modules.



### Compressor Group

#### MT circuits

- 3 compressors with "cyclic". One speed controlled
- Safety monitoring of each compressor
- Common high-pressure monitoring
- Po setting -10°C, Po optimization from the system unit

#### LT circuits

- 2 x compressors with "cyclic". One speed controlled
- Safety monitoring of each compressor
- Common high pressure monitoring
- Po setting -30°C, Po optimization from the system unit

#### IT circuit

- 1 compressor, speed controlled
- Receiver set point 36 bar

### High pressure controls:

- Heat recovery for tap water
- Gas cooler
- Fans, speed controlled

### Receivers:

- Optimal CO<sub>2</sub> receiver pressure
- Monitoring CO<sub>2</sub>-level in the receiver
- Monitoring of high and low pressure
- Controlling the tap water receiver temperature, 55°C

### Fan in plant room

- Thermostat control of fan in engine room

### Safety functions:

- Monitoring of Po, Pc, Sd and superheat in suction line
- MT: Po max = -5°C, Po min = -35°C
- MT: Pc max = 110 bar
- MT: Sd max = 120°C
- LT: Po max = -5°C, Po min = -45°C
- LT: Pc max = 40 bar
- LT: Sd max = 100°C
- SH min = 5 °C, SH max = 35 °C

### Other:

- Start/stop of heat recovery to Tw
- External main switch used

There is also an internal main switch as a setting. Both this and the external main switch must be "ON" before any adjustment is made.

### Warning!

The main switch will stop all regulations, including high-pressure regulation.

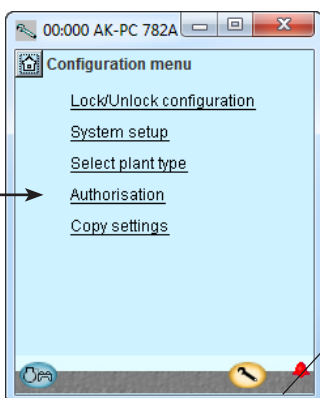
## Authorization

### 1. Go to Configuration menu

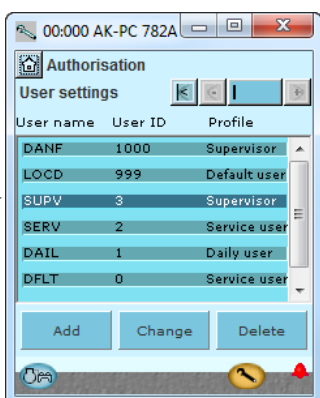
Press the orange set-up button with the spanner at the bottom of the display.



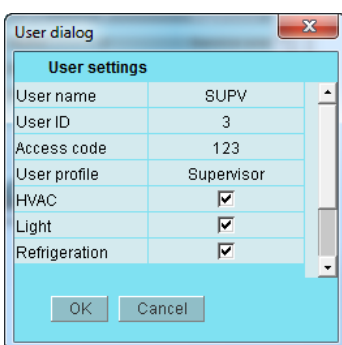
### 2. Select Authorization



### 3. Change setting for the user 'SUPV'



### 4. Select user name and access code



### 5. Carry out a new login with the user name and the new access code

When the controller is supplied, it has been set with standard authorization for different user interfaces. This setting should be changed and adapted to the plant. The changes can be made now or later.

You will use this button again and again whenever you want to get to this display. On the left-hand side are all the functions not shown yet. There will be more here the further into the set-up we go.

Press the line **Authorisation** to get to the user set-up display.

Mark the line with the user name **SUPV**. Press the button **Change**.

This is where you can select the supervisor for the specific system and a corresponding access code for this person.

The controller will utilize the same language that is selected in the service tool but only if the controller contains this language. If the language is not contained in the controller, the settings and readings will be shown in English.

To activate the new settings you must carry out a new login to the controller with the new user name and the relevant access code. You will access the login display by pressing the icon at the top left corner of the display.

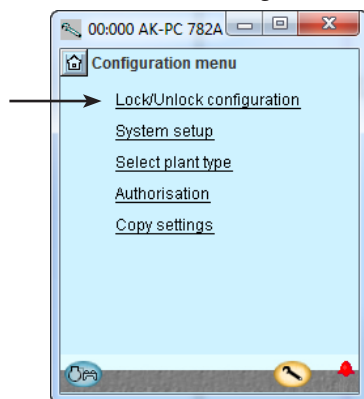


## Unlock the configuration of the controllers

1. Go to Configuration menu



2. Select Lock/Unlock configuration

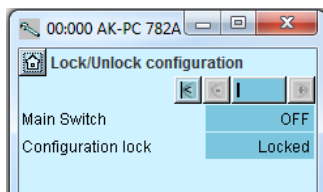


The controller can only be configured when it is unlocked.

The values can be changed when it is locked, but only for those settings that do not affect the configuration.

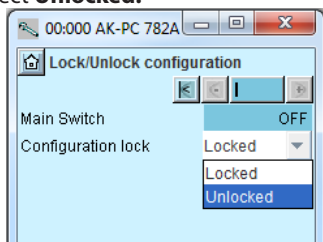
3. Select Configuration lock

Press the blue field with the text **Locked**



4. Select Unlocked

Select **Unlocked**.

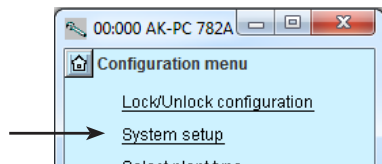


## System set-up

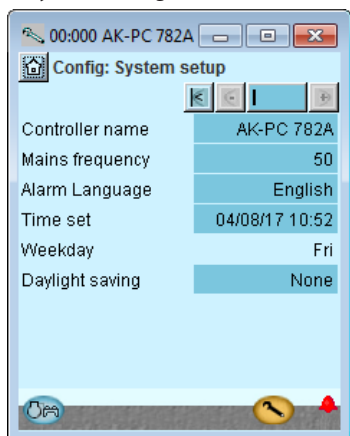
1. Go to Configuration menu



2. Select System setup



3. Set system settings



All settings can be changed by pressing in the blue field with the setting and then indicating the value of the required setting.

In the first field you enter a name for what the controller will be controlling. The text written in this field can be viewed at the top of all screens, together with the controller's address.

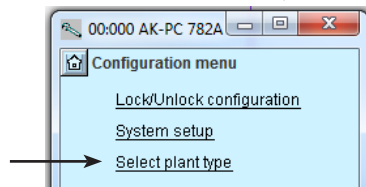
When the time is set, the PC's time can be transferred to the controller.

When the controller is connected to a network, date and time will automatically be set by the system unit in the network. This also applies to change-over Daylight saving. In case of power failure, the clock will be kept running for at least 12 hours.

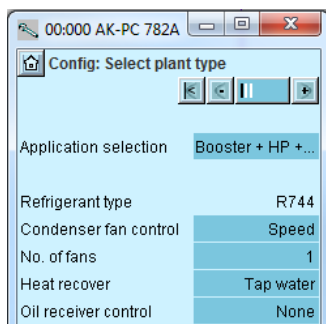
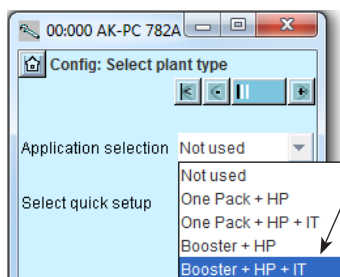
## Set plant type

1. Go to Configuration menu
2. Select plant type

Press the line **Select plant type**.

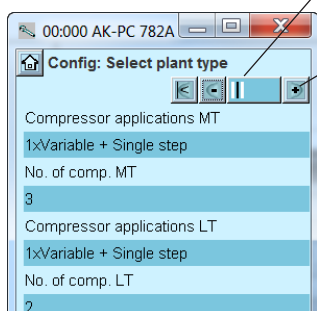


3. Set plant type

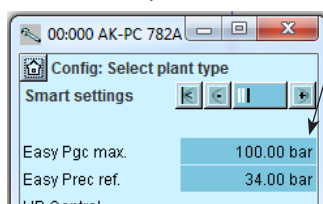


Press the + button to go to the next page

4. Further plant settings



5. Quick basis setup



General:

If you want to know more about the different configuration options, they are listed in the right column. The number refers to the number and picture in the column on the left.

As the screen only shows the settings and readings that are required for a given set-up, all possible settings have also been included in the right column.

Our example:

The comments for the example are shown on the following pages, in the middle column.

In our example, the controller must regulate a Booster System, High Pressure Control and IT Compressor.

Subsequent options are then available, but only those options allowed by the current selection.

The settings for our example can be viewed in the display.

There are several underlying pages. The black bar in this field tells you which of the pages is currently displayed.

Browse the pages using the + and - buttons.

### Adjust only the two lines with "Easy"

Here you can adjust the overall values for the system  
 - Regulation Pgc max  
 - Regulation Receiver reference.

The controller will then suggest values for all settings connected with this. Fine adjustments can be made if necessary.

### 3 - Plant type

#### Application selection

Select between one of the 4 applications where:  
 HP = High pressure control. MT=middle temperature. LT=low temperature.  
 IT=parallel compression

#### 3- after application selection

##### Refrigerant

Only for CO<sub>2</sub> systems. The refrigerant cannot be changed

##### Condenser fan control

Fan control is defined here:

Step, step+speed, just speed or speed for the first fan+step for the rest

##### No of fans

Set the number of relay outputs that will be used

##### Heat recovery

Heat recovery enabled

Domestic water, room heating or both

To be set later

##### Oil management

Oil control enabled

Choose between:

- Fixed pressure
- Difference pressure
- Timer based

#### Select quick set-up

Here, you can reset all the controller settings back to the factory settings

### 4 - Additional system definitions

#### Compressor combinations

- Single step only
- 1xComp. w. unloaders + Single step
- 2xComp. w. unloaders + Single step
- Comp. w. unloaders only
- 1xVariable + Single step
- 1xVariable + Comp. w. unloaders
- 2xVariable + Single step

#### No of compressors

Set the number of compressor units that will be used

#### External main switch

A switch may be connected for starting and stopping the regulation. (Also opens UPS selection)

#### Mon. Ext. Power loss

(signal from an UPS)  
 Monitoring of external voltage. When selecting "yes", a digital input is allocated

#### Alarm output

Here you may set whether or not it should be an alarm relay, and which priorities will activate it

#### I'm alive relay

A relay will "release" if the regulation fails

#### Night selected via DI

The switch to night mode takes place when the signal is received

#### Show advanced settings

This function opens the advanced settings in the various menus

#### Comp. cap. out to AO

If selecting "yes", an analogue output indicates the running capacity

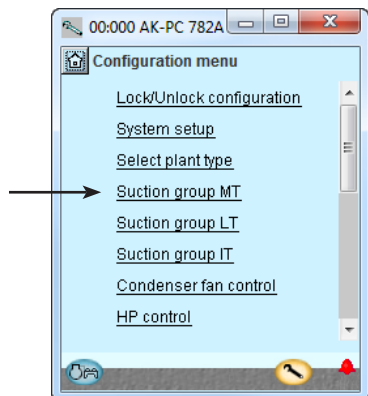
### 5 - Quick relative set-up

Easy Pgc max. provides a group setting for the overall pressure values  
 Easy Prec ref. provides a group setting for the receiver controller

## Set control of suction group MT

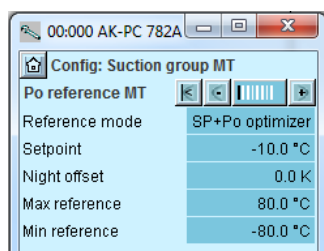
1. Go to Configuration menu

2. Select Suction group



The configuration menu in the Service Tool has changed now. It shows the possible settings for the selected plant type.

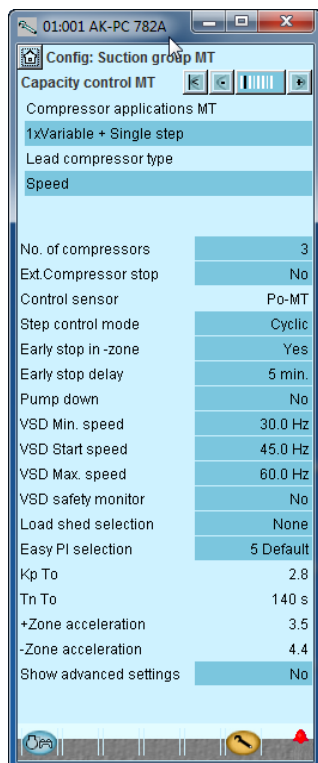
3. Set values for the reference



In our example we select the settings:  
- P0 optimization  
- Suction set point = -10 °C  
The settings are shown here in the display.

Press the + button to go to the next page

4. Set values for capacity control



If a "Variable" or "screw compressor" is chosen in the first line, its type must be determined in the next line.

In our example we select:  
-VSD + single step  
- 3 compressors  
- Cyclic

**Note:** The two parameters 'Control sensor' and 'Psuc max offset' are used to configure an application with Low Pressure Multi Ejectors. They are only visible when no IT suction group has been defined.

Press the + button to go to the next page

### 3 - Reference mode

Displacement of suction pressure as a function of external signals  
0: Reference = set reference + night offset + offset from external 0-10 V signal

1: Reference = set reference + offset from P0 optimization

**Setpoint** (-80 – 30°C)

Setting of required suction pressure in °C

**Offset via Ext. Ref**

Select whether a 0-10V external reference override signal is required

**Offset at max input** (-100 – 100 °C)

Displacement value at max. signal (10)

**Offset at min input** (-100 – 100 °C)

Displacement value at min. signal (0 V)

**Offset filter** (10 - 1800 Sec)

Here you can set how quickly the reference must become effective

**Night Offset via DI**

Select whether a digital input is required for activation of night operation. Night operation can alternatively be controlled via internal weekly schedule or via a network signal

**Night Offset** (-25 – 25 K)

Displacement value for suction pressure in connection with an active night setback signal (set in Kelvin)

**Max reference** (-50 – 80 °C)

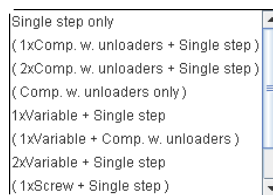
Max. permissible suction pressure reference

**Min reference** (-80 – 25 °C)

Min. permissible suction pressure reference

### 4 - Compressor application

Select one of the available compressor configurations here:



#### Lead compressor type

• Variable

The following options are available for variable:

- |Speed
- |Digital Scroll
- |Stream4
- |Stream6
- |CRI4
- |CRI6

#### No. of compressors

Set number of compressors (total)

#### No. of unloaders

Set number of unloader valves

#### Ext. compressor stop

An external switch can be connected which will start and stop the compressor control

#### Control sensor

Select the sensor for the compressor controller:

- "Po-MT" to control on the Po-MT sensor
- "Po-MT + Psuc-MT" to control both "Po-MT" and "Psuc-MT". The compressors will be controlled on the sensor that is most above to its reference

#### Psuc max offset

Set the difference between Psuc-MT and Po-MT references

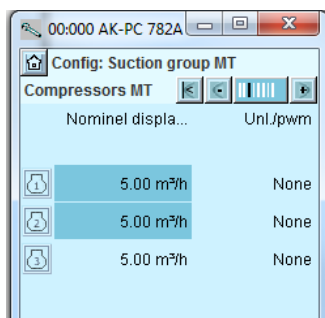
#### Step control mode

Select coupling pattern for compressors:

Cyclic: Runtime equalisation between compressors (FIFO)

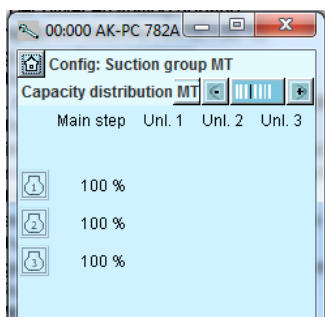


### 5. Set values for capacity of the compressors



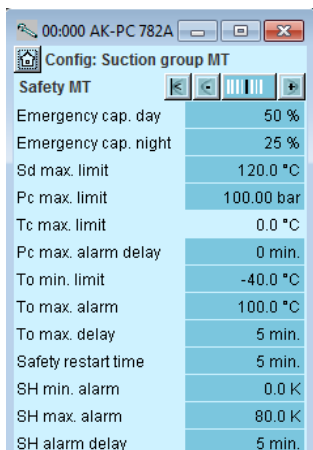
Press the + button to go to the next page

### 6. Set values for main step and any unloaders



Press the + button to go to the next page

### 7. Set values for safe operation



The compressor capacity is set in displaced volume per hour. m<sup>3</sup>/h. See compressor data.

In our example there are no unloaders and hence no changes.

In our example we select:

- Safety limit for discharge temperature = 120°C
- Safety limit for high condensing pressure = 100 bar
- Safety limit for low suction pressure = -40°C
- Alarm limit for high suction pressure = -5°C
- Alarm limit for min. and max. superheat, respectively = 5 and 35 K.

Best fit: Compressors are cut in/out in order to make the best possible fit to actual load

#### External coordination MT/LT

Select "yes" if you want to coordinate with an external LT controller

#### Pump down

Select whether a pump down function is required on the last running compressor

#### Synchronous speed

No: There will be two analogue outputs available.

Yes: There will be one analogue output.

#### Early stop enable

Select this to limit the time that the last compressor is allowed to run inside the minus zone

#### Early stop delay

Set the maximum time that the last compressor is allowed to run inside the minus zone.

#### Pump down limit Po (-80 to +30 °C)

Set the actual pump down limit

#### VSD min speed (0.5 – 60.0 Hz)

Min. speed where the compressor must cut out

#### VSD start speed (20.0 – 60.0 Hz)

Minimum speed for start of Variable speed drive (must be set higher than "VSD Min. Speed Hz")

#### VSD max speed (40.0 – 120.0 Hz)

Highest permissible speed for the compressor motor

#### VSD safety monitoring

Select this if input for monitoring of the frequency converter is required

#### PWM period time

Period time for bypass valve (on time + off time)

#### PWM Min. capacity

Minimum capacity in the period time (without a minimum capacity the compressor will not be cooled)

#### PWM Start capacity

Minimum capacity at which the compressor will start (must be set to a higher value than "PWM Min. capacity")

#### Load shed limits

Select which signal to be used for load limitation (only via network, a DI + network or two DI + network)

#### Load limitation period

Set the maximum time permitted for load limitation

#### Load shed limit 1

Set max. capacity limit for load shed input 1

#### Load shed limit 2

Set max. capacity limit for load shed input 2

#### Override limit T0

Any load below the limit value is freely permitted. If the T0 exceeds the value, a time delay is started. If the time delay runs out, the load limit is cancelled

#### Override delay 1

Max. time for load shed limit, if T0 is too high

#### Override delay 2

Max. time for load shed limit, if T0 is too high

#### Easy PI Selection

Group setting for the 4 control parameters: Kp, Tn, + acceleration and - acceleration. If the setting is set to "user defined" the 4 control parameters can be fine-tuned:

#### Kp To (0.1 – 10.0)

Amplifications factor for PI regulation

#### Tn To

Integration time for PI-regulation

#### + Zone acceleration (A<sup>+</sup>)

Higher values result in a faster regulation

#### - Zone acceleration (A<sup>-</sup>)

Higher values result in a faster adjustment

#### Advanced settings

#### To filter

Reduce fast changes in the To reference

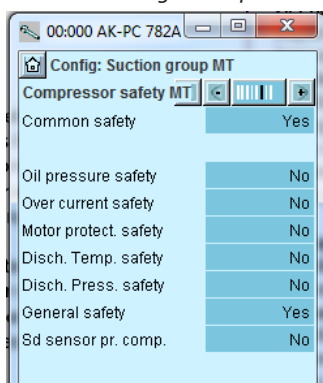
#### Pc filter

Reduce fast changes in the Pc reference



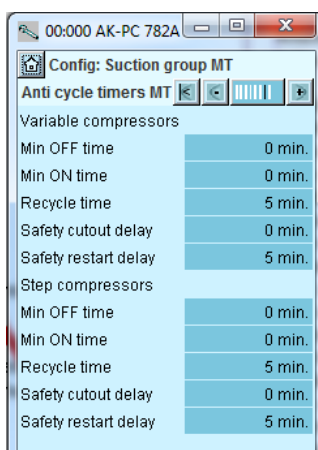
Press the + button to go to the next page

### 8. Set monitoring of compressor



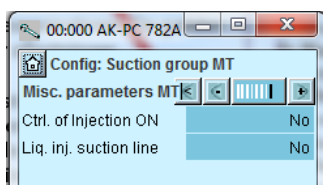
Press the + button to go to the next page

### 9. Set operation time for compressor



Press the + button to go to the next page

### 10. Set Misc. functions



In our example we use:  
 - Common high-pressure pressure control for all compressors  
 - One general safety monitoring unit for each compressor

(The remaining options could have been selected if specific safety controls for each compressor had been required).

Set min. OFF-time for the compressor relay.  
 Set min. ON-time for the compressor relay.  
 Set how often the compressor is allowed to start.

The settings only apply to the relay that cuts the compressor motor in and out.  
 They do not apply to unloaders.

If the restrictions overlap, the controller will use the longest restriction time.

In our example we do not use these functions.

### Initial start time (15 – 300 s)

The time after start-up where the cut-in capacity is limited to the first compressor step

### Unloading mode

Select whether one or two capacity controlled compressors are allowed to be unloaded at the same time at decreasing capacity

### AO filter

Reduce fast changes at the analogue output

### AO max. limit

Limit the voltage on the analogue output.

## 5 - Compressors

In this screen, the capacity distribution between the compressors is defined.

Capacities that need to be set depend upon the "compressor application" and "Step control mode" that has been selected.

### Nominal capacity (0.0 – 1000.0 m<sup>3</sup>/h)

Set the nominal capacity for the compressor in question.

For compressors with variable speed drive the nominal capacity must be set for the mains frequency (50/60 Hz)

### Unloader

Number of unload valves for each compressor (0-3)

## 6 - Capacity distribution

The installation is dependent on the combination of compressors and coupling pattern

### Main step

Set the nominal capacity of the main step (Set the percentage of the relevant compressor's nominal capacity) 0 – 100%

### Unload

Readout of the capacity on every unloading 0 – 100%

## 7 - Safety

### Emergency cap. day

The desired cut-in capacity for day operation in the case of emergency operations resulting from error in the suction pressure sensor/ media temperature sensor

### Emergency cap. night

The desired cut-in capacity for night operations in the case of emergency operations resulting from error in the suction pressure sensor/ media temperature sensor

### Sd max limit

Max. value for discharge gas temperature.

10 K below the limit, the compressor capacity should be reduced and the entire condenser capacity will be cut in.

If the limit is exceeded, the entire compressor capacity will be cut out

### Pc Max limit

Maximum value for the condenser pressure in bar.

3 K below the limit, the entire condenser capacity will be cut in and the compressor capacity reduced.

If the limit is exceeded, the entire compressor capacity will be cut out.

### Tc max. limit

Limit value read in °C (If selected for display in the condenser configuration)

### Pc Max alarm delay

Time delay for the alarm Pc max.

### TO Min limit

Minimum value for the suction pressure in °C

If the limit is reduced, the entire compressor capacity will be cut out

### TO Max alarm

Alarm limit for high suction pressure P0

### TO Max delay

Time delay before alarm for high suction pressure P0

### Safety restart time

Common time delay before restarting the compressor. (Applicable to the functions: "Sd max. limit", Pc max. limit" and "P0 min. limit")

### SH Min alarm

Alarm limit for min. superheat in suction line

### **SH Max alarm**

Alarm limit for max. superheat in suction line

### **SH alarm delay**

Time delay before alarm for min./max. superheat in suction line

## **8 - Compressor safety**

### **Common safety**

Choose whether an overall, common safety input for all compressors is desired. If the alarm is activated, all compressors will be cut out.

### **Oil pressure etc**

Define here whether this type of protection should be connected.

For "General" there is a signal from each compressor.

### **Sd sensor pr. compressor**

Select whether an Sd measurement should be made for each individual compressor

### **Max discharge temp.**

Cut-out temperature.

### **Sd compressor alarm delay**

Delay time for the alarm

### **Sd compressor safety cutout**

Set whether safety cut-out should be enabled

## **9 - Minimum operation times**

Configure the operation times here so "unnecessary operation" can be avoided.

Recycle time is the time interval between two consecutive starts.

### **Safety timer**

### **Cutout delay**

The time delay resulting from drop-out of automated safety measures and until the compressor-error is reported. This setting is common for all safety inputs for the relevant compressor.

### **Recycle delay**

Minimum time before a compressor should be OK after a safety cut-out. After this interval it can start again.

## **10 - Misc. functions**

### **Ctrl. of Injection On**

DO: Select this function if a relay must be reserved for the function. (The function must be wired to controllers with expansion valves in order to close liquid injection for the safety cut-out of the last compressor.)

Network: The signal is sent to the controllers via data communication.

### **Compressor start delay**

Delay time for compressor start

### **Injection Off delay**

Delay time for "Injection off"

### **Liq. inj suction line**

Select this function if a liquid injection is required in the suction line in order to keep the discharge gas temperature down.

Regulation can be done either using a solenoid valve and a TEV, or using an AKV valve.

### **AKV OD suction line**

Readout of opening degree of the valve in %

### **Inject start SH**

Superheat value where the liquid injection starts

### **Inject diff SH**

Differential of superheat for the injection control

### **Inject start Sd temp.**

Start temperature for liquid injection in suction line

### **Inject diff Sd temp.**

Differential when adjusted on Sd

### **SH Min suction line**

Minimum superheat in suction line

### **SH Max suction line**

Maximum superheat in suction line

### **AKV period time**

Period time for AKV valve

### **Inject delay at start up**

Delay time for liquid injection at start-up

Afterwards, the settings for the LT group and IT group continue.

In principle, the same settings are carried out.

For the IT suction group the following parameters also apply:

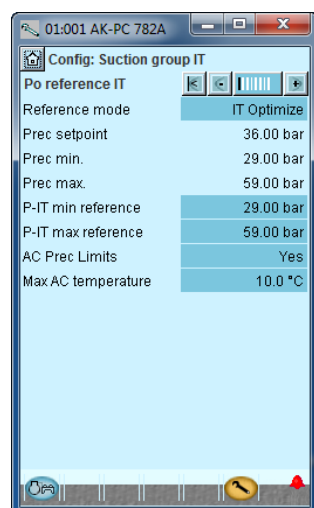
### 1. Reference mode

Select one of the available reference options for the IT compressor control:

- “Fixed SP” for a constant reference,
- “Ext. Offset” for a constant reference plus an offset from an analogue input,
- “IT Optimize” for automatic calculation of the optimum reference,
- “Delta P” for a constant offset above the Po-MT (using **Min delta P MT** parameter from the receiver configuration).

#### Max. Ext. Offset

When the reference mode is “Ext. Offset”, then set the maximum offset.



#### P-IT min. reference / P-IT max. reference

When the reference mode is “IT optimize” then set the minimum and maximum values for the reference

#### AC Prec limits

Select this to enable a maximum temperature limit for the reference using a digital input

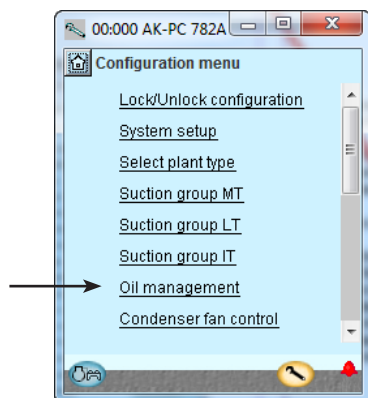
#### Max AC temperature

Set the maximum reference temperature when the digital input is activated

## Set oil management

1. Go to Configuration menu

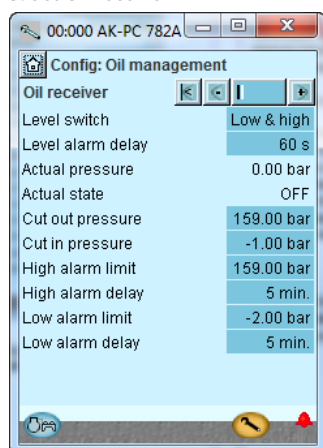
2. Set Oil management



In our example, oil management has not been included.

The settings are only displayed for information purposes and apply to the "Fixed pressure" control which is configured in the "Plant Type display".

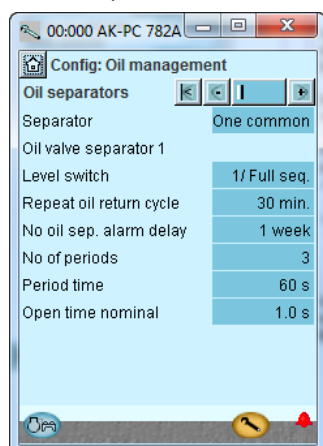
3. Set Oil receiver



In our example, we have two level switches in the receiver. Both one high and one low.

Press the + button to go to the next page

4. Set oil separator



The process is as follows: When a signal is given from the level switch, the discharging process to the receiver commences. This pulsates three times with one minute intervals. Each pulse lasts one second. If the level switch does not register an oil drop at this point, an alarm is given when the delay time has expired.

### 3

#### Level switch receiver

Define the desired level sensors:

High

Both Low and High

#### Level alarm delay

Delay time for level alarm

#### Actual pressure

Measured value

#### Actual state

Status of oil separation

#### Cut out pressure

Receiver pressure for shutting off oil

#### Cut in pressure

Receiver pressure for turning on oil

#### High alarm limit

An alarm is given if a higher pressure is registered

#### High alarm delay

Time delay for alarm

#### Low alarm limit

An alarm is given if a lower pressure is registered

#### Low alarm delay

Time delay for alarm

### 4

#### Separator

Select whether there should be one shared separator for all the compressors or two separators (MT and IT)

#### Level detection

Select whether the separator is to be controlled by "Full sequence", "To Level" or "low and high" level switches

#### Level alarm delay

Alarm given when using a level switch for low level

#### Repeat oil return cycle

Time period between repeat emptying processes from the separator if the level switch stays at high level

#### No oil sep. alarm delay

Alarm delay when a signal is given that oil is not being separated ("high" level contact not activated).

#### No of periods

No. of times the valve should open in emptying sequence

#### Period time

Time between valve openings

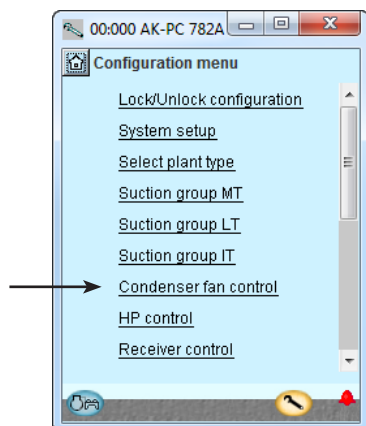
#### Open time

The open time of the valve

## Set up control of condenser fans

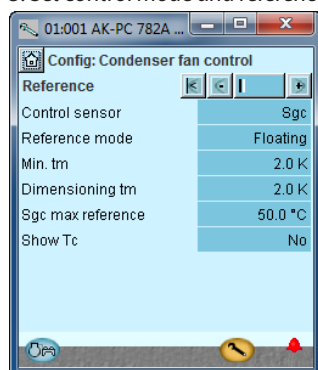
1. Go to Configuration menu

2. Select Condenser fan control



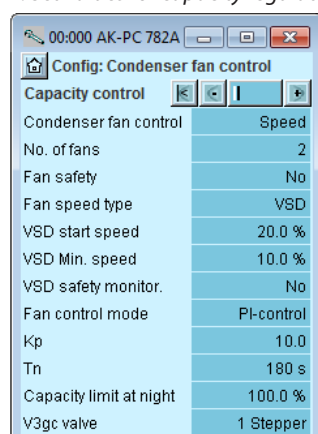
In our example, the condenser pressure is controlled on the basis of the Sgc and from Sc3 (floating reference). The settings shown here in the display.

3. Set control mode and reference



Press the + button to go to the next page

4. Set values for capacity regulation



In our example we use a number of fans that are all speed-controlled in parallel. The settings are shown here in the display.

For your information, the function "Monitor fan safety" will require an input signal from each fan.

### 3 - PC reference

#### Control sensor

Sgc: The temperature at the outlet of the gas cooler  
S7: Medium temperature is used for regulation

#### Reference Mode

Choice of condenser pressure reference:

Fixed setting: Used if a permanent reference is required = "Setting"  
Floating: Used if the reference is changed as a function of Sc3 the external temperature signal, the configured "Dimensioning tm K"/"Minimum tm K" and the actual cut-in compressor capacity. (Floating is recommended for CO<sub>2</sub> and heat recovery.)

#### Setpoint

Setting of desired condensing pressure in temperature

#### Min. tm

Minimum average temperature difference between Sc3 air and Pc condensing temperature with no load

#### Dimensioning tm

Dimensioning average temperature differential between Sc3 air and Pc condensing temperature at maximum load (tm difference at max load, typically 2-4 K)

#### Sgc max reference

Maximum permissible gas cooler outlet temperature. This function limits the reference for Sgc.

#### Show Tc

Set whether Tc should be displayed

### 4 - Capacity control

#### Capacity control mode

Select control mode for condenser:

Step: Fans are step-connected via relay outputs

Step/speed: The fan capacity is controlled via a combination of speed control and step coupling

Speed: The fan capacity is controlled via speed control

Speed 1.step: First fan speed controlled, rest step coupling

2 groups with speed: The capacity is divided into groups

#### No of fans

Set number of fans

(If two groups are selected, this setting is the number in group 1)

#### Number of fans in group 2

The number in group 2 must be greater than or equal to the number in group 1

#### Speed limit for group 1

The speed can be limited to minimize the noise

#### Monitoring fan safety

Safety monitoring of fans. A digital input is used to monitor each fan

#### Fan speed type

VSD (and normal AC motors)

EC motor = DC controlled fan motors

#### VSD start speed

Minimum speed for start of speed control (must be configured higher than "VSD Min. Speed")

#### VSD min Speed

Minimum speed whereby speed control is cut out (low load)

#### VSD safety monit.

Choice of safety monitoring of frequency converter. A digital inlet is used for monitoring the frequency converter

#### EC Start capacity

The regulation awaits this need to arise before supplying voltage to the EC motor

#### EC voltage min

Voltage value at 0% capacity (20% = 2 V @ 0 – 10 V)

#### EC voltage max

Voltage value at 100% capacity (80% = 8 V @ 0 – 10 V)

**EC Voltage abs. max**

Permissible live voltage for EC motor (overcapacity)

**Absolut max Sgc**

Max value for temperature at Sgc. If the value is exceeded, the EC voltage will be raised to the value in "EC Voltage abs. max."

**Control type**

Choice of control strategy

P-band: The fan capacity is regulated via P-band control. The P band is "100/Kp"

PI-Control: The fan capacity is regulated by the PI controller

**Kp**

Amplification factor for P/PI controller

**Tn**

Integration time for PI controller

**Capacity limit at night**

Setting of maximum capacity limit during night operations. Can be used to limit fan speed at night in order to limit the noise level

**V3gc**

Indicates whether a gas bypass valve is used on the gas cooler.

On/off: Three-way valve controlled by a relay

Step valve: Modulating CTR type three-way valve

Voltage: Three-way valve, e.g. controlled using 0 – 10 V

at on/off:

**Bypass low limit**

If the sensor Sgc records a temperature that is lower than the selected value, the gas will be routed outside of the gas cooler (e.g. start-up during very low ambient temperatures)

**Bypass min. off time**

Minimum time during which the gas must be fed through the gas cooler before bypass is permitted.

At Stepper and voltage:

Kp

Tn

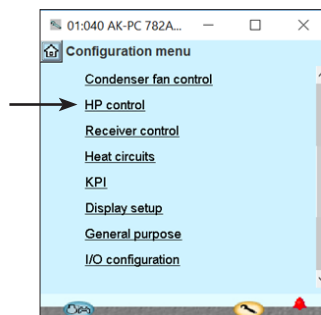
Min. opening degree

Max. opening degree

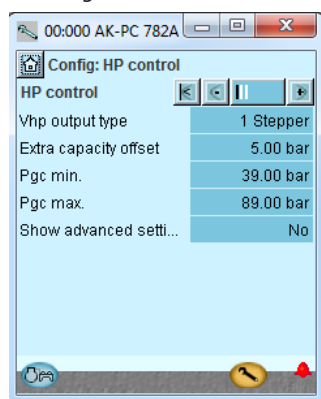
## Set-up of high pressure control

1. Go to Configuration menu

2. Select HP control

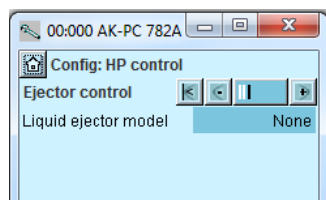
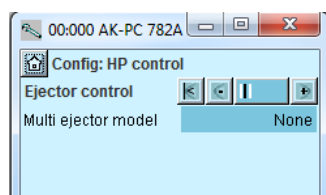


3. Set regulation values



Press the + button to go to the next page

4. Set ejector function



The settings are shown here in the display

We do not use ejector control in our example.

### 3 - HP control

#### Vhp output type

Select the signal type for controlling the high pressure valve:

- Voltage signal
- Stepper motor signal via AK-XM 208C
- 2 Stepper motor signals for parallel valves

#### Extra capacity offset

Adjust how much the pressure shall be increased, when the function "Extra capacity offset" is activated

#### Pgc min.

Min. acceptable pressure in the gas cooler

#### Pgc max.

Max. acceptable pressure in the gas cooler

### Advanced settings

#### Vhp min. OD

Restriction of the valve's closing degree

#### Pgc max. limit P-band

P-band under "Pgc max" where the valve's opening degree is increased

#### dT Subcool

Desired subcooling temperature

#### Kp

Amplification factor

#### Tn

Integration time

#### Pgc HR min.

Read the min. acceptable pressure in the high pressure circuit during heat recovery

#### Pgc HR max

Read permissible pressure during heat recovery

#### Ramp down bar/min.

Here you may select how quickly the reference must be changed after a completed heat recovery

#### Temp. at 100 bar

Temperature at 100 bar. Here you may define the regulation curve during transcritical operation. Set the required temperature value.

### 4 - Ejector control

Select the Multi Ejector's capacity.

The size will then be shown for each valve's capacity.

The function is described on page 113.

In the next display, the capacity is adjusted for liquid ejectors. The next display is not visible if liquid ejectors are configured in the previous display.

#### Warning!

If the regulation is stopped during high-pressure regulation, the pressure will rise.

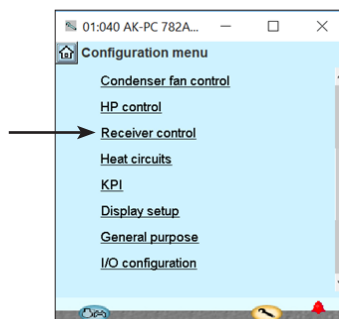
The system must be dimensioned to the higher pressure; otherwise there will be a loss of charge.



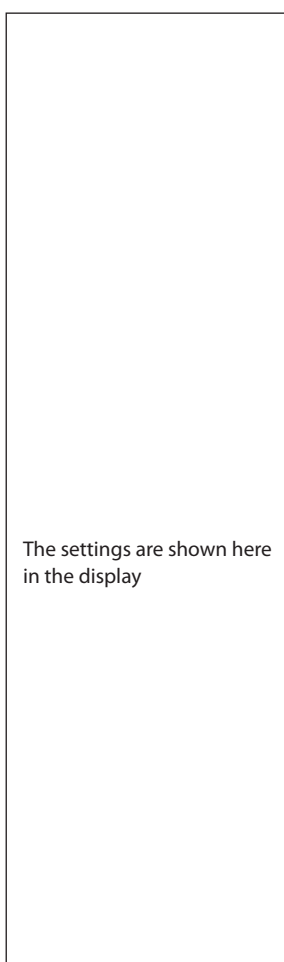
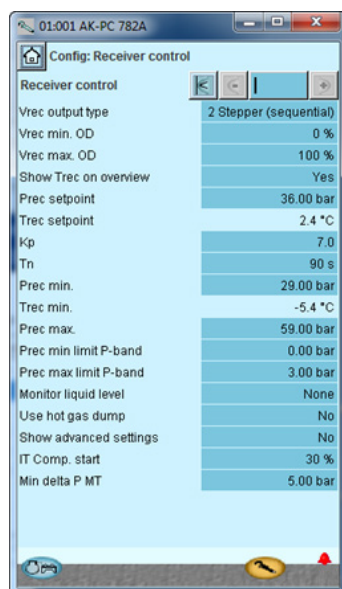
## Set up control of receiver pressure

1. Go to Configuration menu

2. Select Receiver control



3. Set regulation values



### 3 - Receiver control

#### Vrec output type

Select the Vrec output type for gas bypass valve:

- "1 Stepper" for a single stepper motor signal via AK-XM 208C
- "2 Stepper (synchronic)" for two stepper motor signals operated simultaneously
- "2 Stepper (sequential)" for two stepper motor signals operated in sequence
- "Voltage (AO)" for a voltage signal.

#### Vrec min. OD

Limitation of the Vrec valve's closing degree

#### Vrec max. OD

Limitation of the Vrec valve's opening degree

#### Show Trec

Set whether Trec should be shown in overview display 1

#### Prec set point

Select the set point for the pressure in the receiver when IT compressor is stopped

#### Kp

Amplification factor

#### Tn

Integration time

#### Prec min.

Min. permissible pressure in the receiver

#### Prec max.

Max. permissible pressure in the receiver (also becomes regulation reference if the compressors are stopped with the "External compressor stop" function). Exceeding this limit results in an alarm.

#### Prec min. limit P-band

P-band under "Prec min" where the Vrec valve's opening degree is increased

#### Prec max. limit P-band

P-band over "Prec max" where the Vrec valve's opening degree is decreased

#### Monitor liquid level

Choose whether liquid level should be monitored

#### Liquid alarm delay

Time delay for the alarm

#### Use hot gas dump

Select whether hot gas should be supplied if the receiver pressure falls too low

#### Prec hot gas dump

Receiver pressure at which hot gas is turned on

#### Prec gas dump diff.

Difference at which hot gas is turned off again

#### IT Comp. start

Opening degree for the Vrec valve when the IT compressor is to start

#### IT Start delay filter

Time constant for the low pass filter that is used on the valve opening degree of the Vrec for starting the IT compressors

#### IT End delay

The duration the IT compressor must have been stopped before regulation is transferred to Vrec

#### IT Comp. Sgc min.

The temperature limit for operation with IT compressor. Will not start when a lower value is detected, regardless of the opening degree of the Vrec valve

#### Receiver inlet min vapour

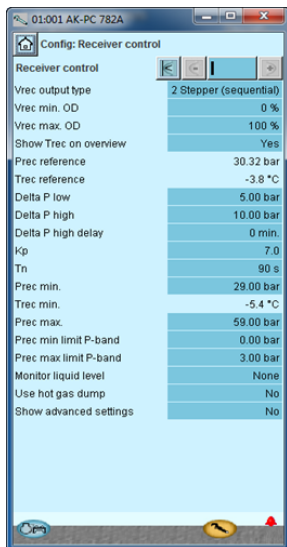
Maintains a minimum gas pressure in the receiver. The % value indicates the amount of gas entering the receiver

#### Min delta P MT

Minimum permitted pressure difference from the receiver to Po MT. (The function will increase receiver pressure in case of high suction pressure).



## Receiver pressure difference control "DeltaP"



When the MT suction control is configured to alternate between two pressure transducers (P0-MT and Psuc-MT - typically used with Low Pressure Multi Ejectors), some of the receiver control parameters are unavailable and replaced by others. The reference for the receiver uses a higher or a lower offset, determined by a digital input. The new parameters are explained to the right. The remaining parameters are as explained on the previous page.

### Delta P low

Specify the pressure difference between the Prec and Po-MT for the lower Prec reference

### Delta P high

Specify the pressure difference between the Prec and Po-MT for the higher Prec reference

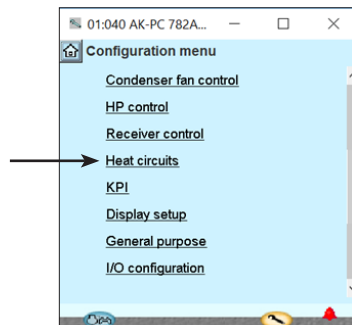
### Delta P high delay (post delay)

After deactivating the digital input for the reference "Delta P high", the post delay time before switching back to the reference "Delta P low"

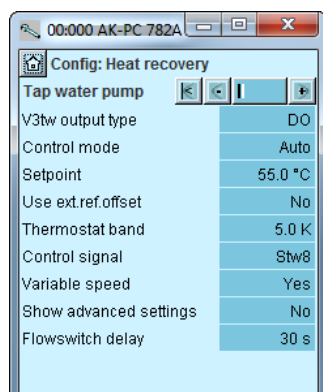
## Set up control of heat recovery

1. Go to Configuration menu

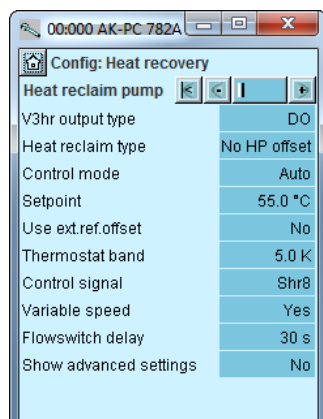
2. Select heat circuits



3. Setup values for tap water circuits



4. Setup values for heating circuit



(The heat circuits are defined in the menu "Select plant type")

The menu for domestic water is empty when regulation is only carried out on room heating.

The room heating circuit is not used in our example. The image is shown for information purposes. The menu for room heating is empty when regulation is only carried out on domestic water.

**3 - Tap water circuits** (settings are available only when there shall be regulated on a circuit for tap water)

### V3tw output type

DO: The valve is controlled by a relay output

Stepper: The valve is controlled by a stepper valve

**Control mode:** Here the regulation of the circuit can be started (auto) and stopped (off)

**Setpoint:** The required temperature for the sensor Stw8 can be set here

### Use ext. ref. offset

A 0 – 10 V signal must displace the temperature reference

### Max. Ext. ref. offset

Reference displacement at max. signal (10 V)

**Thermostat band:** The acceptable temperature variation around the reference:

### Control signal

Choose between:

Stw8: if regulation shall be done using only this sensor

S4-S3: (and a Delta T value) if the controller shall regulate using this temperature difference, until the Stw8 reference is met. (During S4-S3 regulation, the pump must always be speed-regulated).

Stw8 + Stw8A: if two temperature sensors are installed in the hot water receiver

Stw4: regulation is done using this sensor

**Variable speed:** Here the pump type is selected. Either variable speed or on/off

### Advanced settings:

The following options are made available:

**Flow switch:** Must normally be selected for safety purposes

Kp: Amplification factor

Tn: Integration time

Min. pump speed: Pump speed for start/stop

Max. pump speed: The pump's max. permissible speed

**Flowswitch delay:** Duration of stable signal before the new status is used in the regulation

## 4 - Heat recovery

### V3hr output type

DO: The valve is controlled by a relay output

Stepper: The valve is controlled by a stepper valve

### Heat reclaim type for heating

Here you define how the condensing pressure (HP) shall be regulated when the recovery circuit for heating requires heat:

- No HP offset (simple control)
- HP offset. Here the controller must receive a voltage signal. The offset values that apply to the max. value must be defined in the heat circuit settings. See next page.
- Max heat reclaim. Here the controller must receive a voltage signal, but the regulation is increased to also control pump activation and deactivation and the bypass valve.

**Control mode:** Here the regulation of the circuit can be started (auto) and stopped (off)

**Setpoint:** Here the required temperature of sensor Shr8 (or Shr4) is set

### Use ext. ref. offset

A 0-10V signal must displace the temperature reference

### Max. Ext. ref. offset

Reference displacement at max. signal (10 V)

**Thermostat band:** The permissible temperature variation around the reference:

**Control signal:** Choose between:

*Shr8:* if regulation shall be done using only this sensor  
*S4-S3:* (and a Delta T value) if the controller shall regulate using this temperature difference, until the Shr8 reference has been met

*Shr4:* regulation is done using this sensor  
(During S4-S3 regulation or Shr4 regulation the pump shall always be speed regulated)

**Variable speed:** Here the pump type is selected. Either variable speed or on/off

**Heat consumers:** (Only when the condensation pressure shall be increased during heat recovery). The number of signals that can be received are set here. The signal can be either 0 – 10 V or 0 – 5 V. (Settings under "Advanced" will be used 0 – 100% for the signal)

**Heat consumer filter**

Reduce fast changes in heat consumer signal

**Additional heat output**

The function will reserve a relay. The relay will energize when the signal for the heat removers reaches 95%.

**Flowswitch delay:** Duration of stable signal before the new status is used in the regulation

**Advanced settings:** The following options are made available:

*Flow switch:* Must normally be selected for safety purposes

*Kp:* Amplification factor

*Tn:* Integration time

*Tc max HR:* Value at which the bypass of the gas cooler will terminate

HR PUMP CONTROL

*Min. pump speed:* Pump speed for start/stop

*Max. pump speed:* The pump's max. permissible speed

HR stop limit: Signal in % at which the pump is stopped again

HR start limit: Signal in % at which the pump is started

HP CONTROL

*Pgc HR min:* Basic reference for the pressure when external voltage signal is received.

*Pgc HR max:* Max pressure reference when external voltage signal is received.

*Ref. offset low limit:* Signal in % at which "Pgc HR min." comes into force

*Ref. offset high limit:* Signal in % at which "Sgc max" value is used

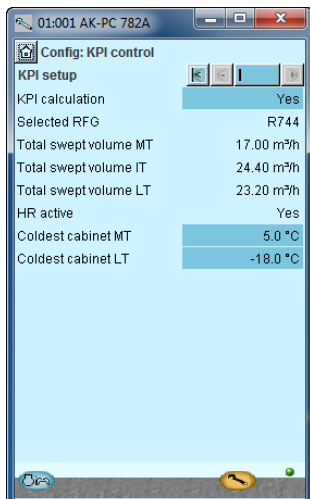
BYPASS CONTROL (at on/off regulation)

*V3gc bypass stop limit:* Signal in % at which the gas cooler connects again after completed disconnect

*V3gc bypass start limit:* Signal in % at which the gas cuts out

## Set up KPI

1. Go to Configuration menu
2. Select KPI setup



In our example, KPI control is not used. The settings are included here for information.

### 2 - KPI Setup

#### KPI calculation (KPI = Key Performance Indicator)

If "Yes" is selected, the function will optionally request a signal from the sensor liquid line (Sliquid temp)

#### Selected RFG

The system's refrigerant type is read here

#### Total swept volume MT

The total swept volume for all of the MT compressors is read here

#### Total swept volume IT

The total swept volume for all of the IT compressors is read here

#### Total swept volume LT

The total swept volume for all of the LT compressors is read here

#### HR active

The system's Heat Recovery state (active or not) is read here

#### Coldest cabinet MT

Set the desired temperature of the MT circuit's coldest refrigeration case

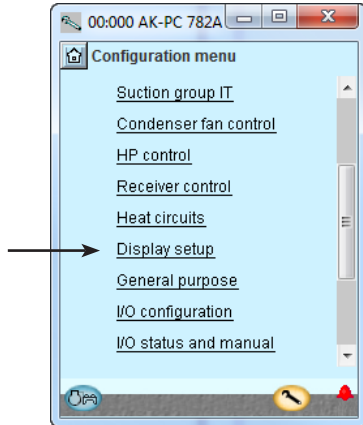
#### Coldest cabinet LT

Set the desired temperature of the LT circuit's coldest refrigeration case

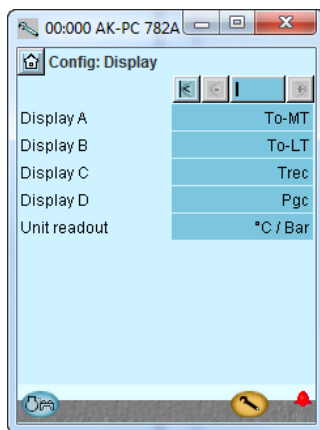
## Set up Display

1. Go to Configuration menu

2. Select Display setup



3. Define which readings are to be shown for the individual outputs



In our example, separate displays are not used. The setting is included here for information.

## 3 - Display set-up

### Display

The following can be read for the four outputs:

- Comp. control sensor
- P0 in temperature
- P0 in bar-
- Ss
- Sd
- Cond. control sensor
- Tc
- Pc bar
- S7
- Sgc
- Pgc bar
- Prec bar
- Trec
- Speed Compressor

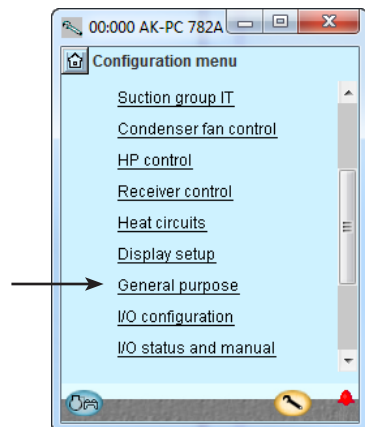
### Unit readout

Choose whether readings are to be in SI units (°C and bar) or (US-units °F and psi)

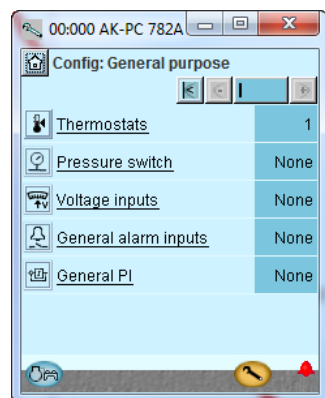
## Set-up Functions for General purpose

1. Go to Configuration menu

2. Select General purpose



3. Define number of required functions

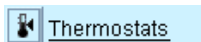


In our example we select one thermostat function for temperature control in the compressor room.

The following number of different functions can be defined:  
 5 thermostats  
 5 pressostats  
 5 voltage signals  
 10 alarm signals  
 6 PI-regulations

## Separate thermostats

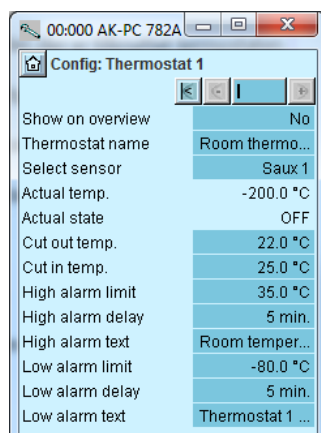
### 1. Select thermostats



### 2. Select actual thermostat



### 3. Define the required thermostat functions



In our example we select one thermostat function for monitoring the plant room temperature.

We have subsequently entered a name for the function.

### 3 - Thermostats

The general thermostats can be used to monitor the temperature sensors that are used, as well as 4 extra temperature sensors. Each thermostat has a separate outlet to control external automation.

#### For each thermostat adjust:

- Whether the thermostat should also be shown in overview display 1. (The function is always shown in overview display 2)
- Name
- Which of the sensors /(Signal) is used

#### Actual temp.

Temperature measurement on the sensor that is attached to the thermostat

#### Actual state

Actual status on the thermostat outlet

#### Cut out temp.

Cut-out value for the thermostat

#### Cut in temp.

Cut-in value for the thermostat

#### High alarm limit

High alarm limit

#### Alarm delay high

Time delay for high alarm

#### Alarm text high

Indicate alarm text for the high alarm

#### Low alarm limit

Low alarm limit

#### Alarm delay low

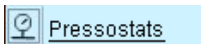
Time delay for low alarm

#### Alarm text low

Indicate alarm text for low alarm

## Separate pressostats

### 1. Select pressostats



### 2. Select actual pressostat



### 3. Define the required pressostat functions

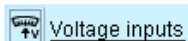
In our example, separate pressostat functions are not used.

### 3 - Pressostats

Settings as the thermostats

## Separate voltage signals

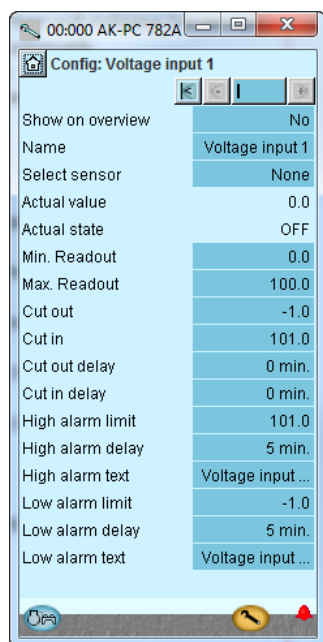
### 1. Select Voltage inputs



### 2. Select actual voltage signal



### 3. Define the required names and values attached to the signal



In our example we do not use this function, so the display has been included for your information only. The name of the function may be xx and further down in the display the alarm texts may be entered. The values "Min. and Max. Readout" are your settings representing the lower and upper values of the voltage range. 2V and 10V, for example. (The voltage range is selected during the I/O setup). For each voltage input defined the controller will reserve a relay output in the I/O setup. It is not necessary to define this relay if all you require is an alarm message via the data communication.

### 3 - Voltage inputs

The general volt inlet can be used to monitor external voltage signals. Each volt inlet has a separate outlet to control external automatic controls.

Set the number of general voltage inputs, specify 1-5:

#### Show on overview

#### Name

#### Select sensor (signal, voltage)

Select the signal which the function should use

#### Actual value

= readout of the measurement

#### Actual state

= readout of outlet status

#### Min. readout

State readout values at minimum voltage signal

#### Max. readout

State readout values at maximum voltage signal

#### Cutout

Cut-out value for outlet (scaled value)

#### Cutin

Cut-in value for outlet (scaled value)

#### Cutout delay

Time delay for cut-out

#### Cut in delay

Time delay for cut-in

#### High alarm limit

High alarm limit

#### High alarm delay

Time delay for high alarm

#### High alarm text

Set alarm text for high alarm

#### Low alarm limit

Low alarm limit

#### Low alarm delay

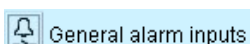
Time delay for low alarm

#### Low alarm text

Indicate alarm text for low alarm

## Separate alarm inputs

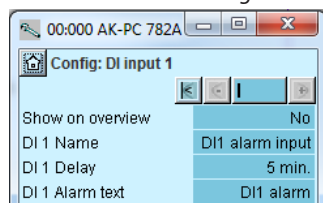
### 1. Select General alarm inputs



### 2. Select actual alarm signal



### 3. Define the required names and values attached to the signal



In our example we select one alarm function for monitoring the liquid level in the receiver. We have subsequently selected a name for the alarm function and for the alarm text.

### 3 - General alarm input

This function can be used to monitor all kinds of digital signals.

#### No. of inputs

Set the number of digital alarm inputs

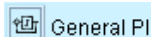
#### Adjust for each input:

- Show on overview
- Name
- Delay time for DI alarm (common value for all)
- Alarm text



## Separate PI functions

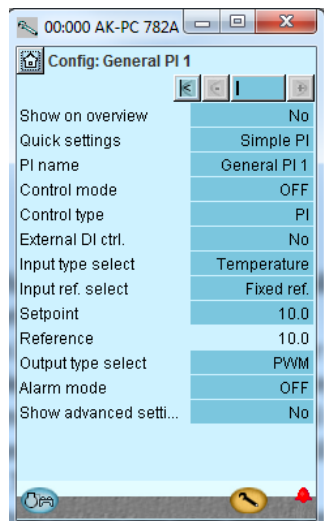
### 1. Select PI functions



### 2. Select actual PI-function



### 3. Define the required names and values attached to the function



In our example we do not use this function, so the display has been included for your information only.

### 3 - General PI Control

The function can be used for optional regulation

#### Adjust for each regulation:

- Show on overview
- Name
- Quick settings

Here is a list of suggestions for PI regulations:

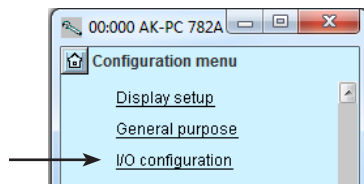
- Simple P
- Simple PI
- Heat control
- Cooling control
- Heat + Amb. Comp.
- Pump delta P
- De-superheat
- Floor heat
- Dry cool 3WV
- Dry cool fan
- SH control
- Convert 0-5V
- Convert 5-10V
- Temp. to volt

- Control mode: Off, Manual or Auto
- Control type: P or PI
- External DI ctrl: Adjusted to "On" if there is an external switch that can start/stop the regulation.
- Input type: Choose which signal the regulation shall receive: Temperature, pressure, pressure converted to temperature, voltage signal, Tc, Pc, Ss, Sd etc.
- Reference: Either fixed or signal for the variable reference: Choose between: : Non, temperature, pressure, pressure converted to temperature, voltage signal, Tc, Pc, Ss, DI etc.
- Setpoint: If fixed reference is chosen
- Reading the total reference
- Output: Here you select the outlet function (PWM = pulse width modulated (e.g. AKV valve)), Stepper signal for a stepper motor or voltage signal
- Alarm mode: Choose whether an alarm shall be attached to the function. If it is set to "On", alarm texts and alarm limits can be entered
- Advanced ctrl. settings:
  - Ref. X1, Y1 and X2,Y2: Points that define and limit the variable reference
  - PWM period time: Period during which the signal has been on and off.
  - Kp: Amplification factor
  - Tn: Integration time
  - Filter for reference: Duration for smooth changes to the reference
  - Max. error: Maximum permissible fault signal at which the integrator remains in the regulation
  - Min. control output: Lowest permitted output signal
  - Max. control output: Maximum permitted output signal
  - Start-up time: Time at start-up at which the output signal is force-controlled
  - Start-up output: The output signal size at the start-up time.
  - Stop output signal. Size of the output signal when regulation is off

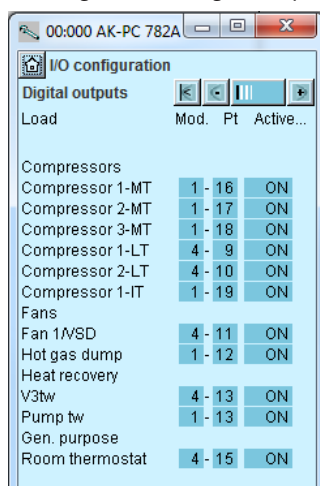
## Configuration of inputs and outputs

1. Go to Configuration menu

2. Select I/O configuration

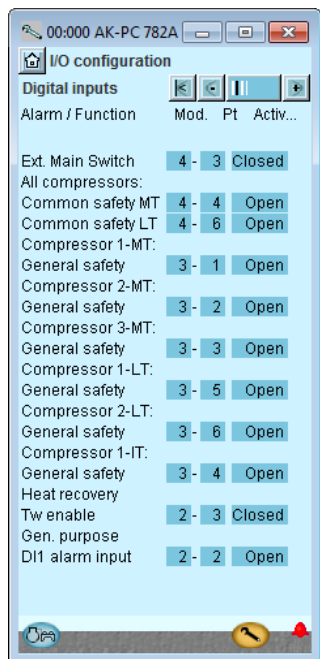


3. Configuration of Digital outputs



Press the + button to go to the next page

4. Set up On/off inputs



Press the + button to go to the next page.

The following displays will depend on the earlier definitions. The displays will show which connections the earlier settings will require. The tables are the same as shown earlier.

- Digital outputs
- Digital inputs
- Analogue outputs
- Analogue inputs

Load	Output	Module	Point	Active at
Hot gas dump	DO1	1	12	ON
Circulation pump tw	DO2	1	13	ON
MT Compressor 1 (VLT start)	DO5	1	16	ON
MT Compressor 2	DO6	1	17	ON
MT Compressor 3	DO7	1	18	ON
IT Compressor (VLT start)	DO8	1	19	ON
LT Compressor 1 (VLT start)	DO1	4	9	ON
LT Compressor 2	DO2	4	10	ON
Fan motors (VLT start)	DO3	4	11	ON
3-way valve, tap water, Vtw	DO5	4	13	ON
Room fan	DO7	4	15	ON

We set up the controller's digital outputs by keying in which module and point on this module each one of these has been connected to.

We furthermore select for each output whether the load is to be active when the output is in pos. **ON** or **OFF**.

Attention! Relay outputs must not be inverted at unloader valves. The controller inverts the function itself. There will be no voltage at the bypass valves when the compressor is not in operation. Power is connected immediately before the compressor is started.

Function	Input	Module	Point	Active at
Level switch, CO <sub>2</sub> receiver	AI2	2	2	Open
Start/stop of heat recovery tw	AI3	2	3	Closed
MT Compressor 1 Gen. Safety	AI1	3	1	Open
MT Compressor 2 Gen. Safety	AI2	3	2	Open
MT Compressor 3 Gen. Safety	AI3	3	3	Open
IT Compressor Gen. Safety	AI4	3	4	Open
LT Compressor 1 Gen. Safety	AI5	3	5	Open
LT Compressor 2 Gen. Safety	AI6	3	6	Open
External main switch	AI3	4	3	Closed
MT compressors common safety	AI4	4	4	Open
LT compressors common safety	AI6	4	6	Open

We set up the controller's digital input functions by keying in which module and point on this module each one of these has been connected to.

We furthermore select for each output whether the function is to be active when the output is in pos. **Closed** or **Open**.

Open has been selected here for all the safety circuits. This means that the controller will receive signal under normal operation and register it as a fault if the signal is interrupted.

### 3 - Outputs

The possible functions are the following:

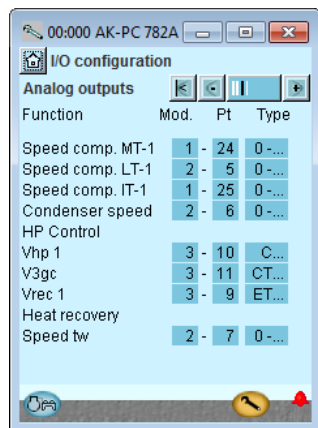
- Comp. 1
- Unloader 1-1
- Unloader 1-2
- Unloader 1-3
- Do for Compressor. 2-8
- Oil valve comp. 1-2
- Injection suction line
- Injection ON
- Fan 1 / VSD
- Fan 2 - 8
- HP Control
- Ejector
- Valve gas cooler V3gc
- Hot gas Dump
- Heat recovery
- Valve tap water V3tw
- Pump tap water tw
- Valve heat recov. V3hr
- Pump heat recov. hr
- Additional heat Alarm
- I'm alive relay
- Thermostat 1 - 5
- Pressostat 1 - 5
- Volt input 1 - 5
- PI 1-3 PWM

### 4 - Digital inputs

The possible functions are the following:

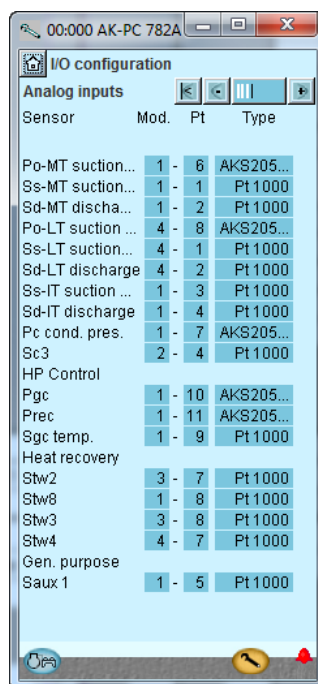
- Ext. Main switch
- Ext. compr. stop
- Ext. power loss
- Night setback
- Load shed 1
- Load shed 2
- All compressors:
- Common safety
- Comp. 1
- Oil pressure safety
- Over current safety
- Motor protect. safety
- Disch. temp. safety
- Disch. press. safety
- General safety
- VSD comp. Fault
- Do for Comp. 2-8
- Fan 1 safety
- Do for fan 2-8
- VSD cond safety
- Oil receiver low
- Oil receiver high
- Oil separator low 1-2
- Oil separator high 1-2
- AC limit
- Rec. low liquid level
- Rec. high liquid level
- Heat recovery
- tw enable
- hr enable
- Flow switch tw
- Flow switch hr
- DI 1 Alarm input
- DI 2-10 ...
- PI-1 Di ref
- External DI PI-1

### 5. Configuration of Analogue outputs



Press the + button to go to the next page

### 6. Configuration of Analogue Input signals



Function	Output	Module	Point	Type
Speed control, MT compressor	AO1	1	24	0-10 V
Speed control, IT compressor	AO2	1	25	0-10 V
Speed control, LT compressor	AO1	2	5	0 - 10 V
Speed control, fan gas cooler	AO2	2	6	0 - 10 V
Speed control, pump tw	AO3	2	7	0 - 10 V
Signal to by-pass ventil, Vrec	Step 1	3	9	CCMT
Signal to high pressure valve, Vhp	Step 2	3	10	CCMT
3-way valve, gas cooler, V3gc	Step 3	3	11	CTR

Sensor	Input	Module	Point	Type
Discharge gas temperature - Sd-MT	AI1	1	1	Pt 1000
Suction gas temperature - Ss-MT	AI2	1	2	Pt 1000
Discharge gas temperature - Sd-IT	AI3	1	3	Pt 1000
Suction gas temperature - Ss-IT	AI4	1	4	Pt 1000
Thermostat sensor in plant room - Saux1	AI5	1	5	Pt 1000
Suction pressure - P0-MT	AI6	1	6	AKS 2050-59
Condenser pressure - Pc-MT	AI7	1	7	AKS 2050-159
Tap water temperature - Stw8	AI8	1	8	Pt 1000
Temp. gas cooler outlet Sgc	AI9	1	9	Pt 1000
Gas cooler pressure Pgc	AI10	1	10	AKS 2050-159
Refrigerant receiver, Prec CO <sub>2</sub>	AI11	1	11	AKS 2050-159
Temp. by-passed gas Shp	AI1	2	1	Pt 1000
Outdoor temp, Sc3	AI4	2	4	Pt 1000
Heat recovery tw2	AI7	3	7	Pt 1000
Heat recovery tw3	AI8	3	8	Pt 1000
Discharge gas temperature - Sd-LT	AI1	4	1	Pt 1000
Suction gas temperature - Ss-LT	AI2	4	2	Pt 1000
Heat recovery tw4	AI7	4	7	Pt 1000
Suction pressure - P0-LT	AI8	4	8	AKS 2050-59

### 5 - Analogue outputs

The possible signals are the following:

- 0 - 10 V
- 2 - 10 V
- 0 - 5 V
- 1 - 5 V
- Stepper output
- Stepper output 2
- Stepper user defined: See section "Miscellaneous"

### 6 - Analogue inputs

The possible signals are the following:

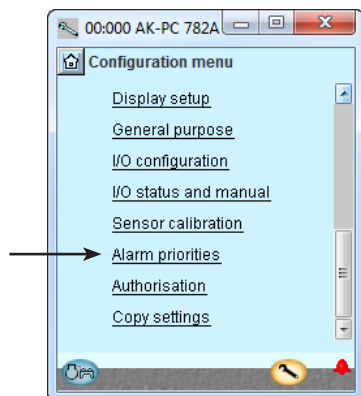
- Temperature sensors:
  - Pt1000
  - PTC 1000
- Pressure transmitters:
  - AKS 32, -1 - 6 bar
  - AKS 32R, -1 - 6 bar
  - AKS 32, -1 - 9 bar
  - AKS 32R, -1 - 9 bar
  - AKS 32, -1 - 12 bar
  - AKS 32R, -1 - 12 bar
  - AKS 32, -1 - 20 bar
  - AKS 32R, -1 - 20 bar
  - AKS 32, -1 - 34 bar
  - AKS 32R, -1 - 34 bar
  - AKS 32, -1 - 50 bar
  - AKS 32R, -1 - 50 bar
  - AKS 2050, -1 - 59 bar
  - AKS 2050, -1 - 99 bar
  - AKS 2050, -1 - 159 bar
  - MBS 8250, -1 - 159 bar
  - User defined (ratiometric 10% - 90% of 5 V supply). Min. and max. value of the sensor range must be set in relative pressure.

- Po suction pres.
- Ss suction gas
- Sd disch. temp.
- Pc Cond. Pres.
- S7 Warm brine
- Sc3 air on
- Ext. Ref. Signal
- 0 - 5 V,
- 0 - 10 V
- Olie receiver
- HP control
- Pgc
- Prec
- Sgc
- Shp
- Stw2,3,4,8
- Shr2,3,4,8
- HC 1-5
- Heat recovery
- Saux 1 - 4
- Paux 1 - 3
- Voltage input 1 - 5
- 0 - 5 V,
- 0 - 10 V,
- 1 - 5 V,
- 2 - 10 V
- PI-in temp
- PI-ref temp
- PI- in voltage
- PI-in pres.
- PI-ref pres.

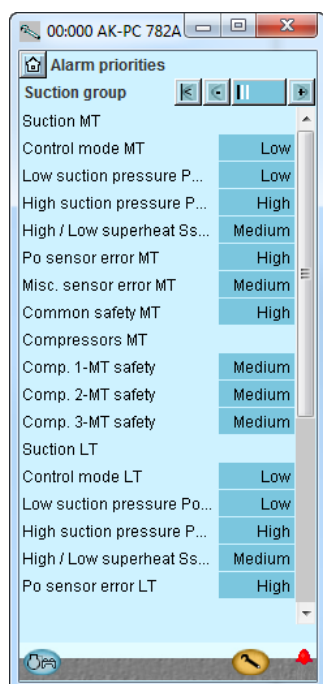
## Set alarm priorities

1. Go to Configuration menu

2. Select Alarm priorities

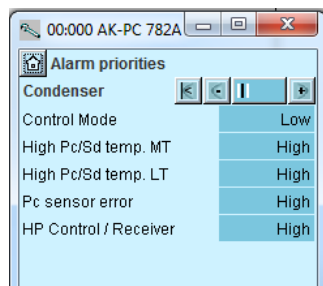


3. Set priorities for Suction group



Press the + button to go to the next page

4. Set alarm priorities for condenser



Press the + button to go to the next page

Many functions have an alarm connected. Your choice of functions and settings has connected all the relevant alarms that are current. They will be shown with text in the three pictures.

All alarms that can occur can be set for a given order of priority:

- "High" is the most important one
- "Log only" has lowest priority
- "Disconnected" gives no action

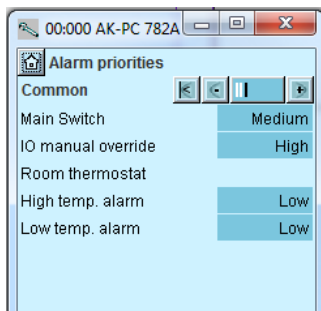
The interdependence between setting and action can be seen in the table.

Setting	Log	Alarm relay selection			Net-work	AKM-dest.
		Non	High	Low - High		
High	X		X	X	X	1
Medium	X			X	X	2
Low	X			X	X	3
Log only	X					4
Disconnected						

See also alarm text page 131.

In our example we select the settings shown here in the display.

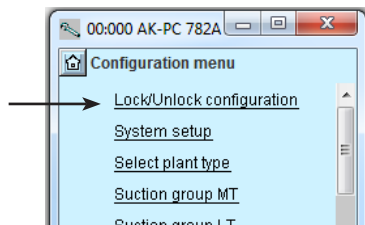
5. Set alarm priorities for thermostat and extra digital signals



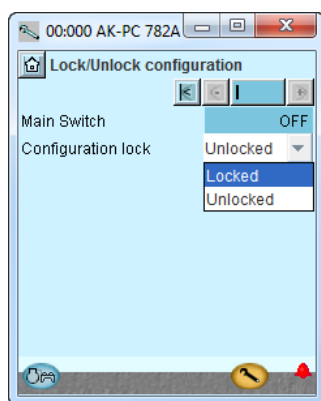
In our example we select the settings shown here in the display.

## Lock configuration

1. Go to Configuration menu
2. Select Lock/Unlock configuration



3. Lock Configuration



The controller will now make a comparison of selected functions and define inputs and outputs. The result can be seen in the next section where the set-up is controlled.

Press the field **Configuration lock**.

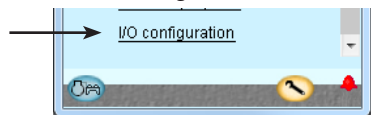
Select **Locked**.

The set-up of the controller has now been locked. If you subsequently want to make any changes in the controller's set-up, remember to unlock the configuration first.

## Check configuration

1. Go to Configuration menu

2. Select I/O configuration



3. Check configuration of Digital Outputs

00:000 AK-PC 782A			
I/O configuration			
Digital outputs			
Load	Mod.	Pt	Activ...
Compressors			
Compressor 1-MT	1	16	ON
Compressor 2-MT	1	17	ON
Compressor 3-MT	1	18	ON
Compressor 1-LT	4	9	ON
Compressor 2-LT	4	10	ON
Compressor 1-IT	1	19	ON
Fans			
Fan 1	4	11	ON
Hot gas dump	1	12	ON
Heat recovery			
V3tw	4	13	ON
Pump tw	1	13	ON
Gen. purpose			
Room thermostat	4	15	ON

Press the + button to go to the next page

4. Check configuration of Digital Inputs

00:000 AK-PC 782A			
I/O configuration			
Digital inputs			
Alarm / Function	Mod.	Pt	Activ...
Ext. Main Switch	4	3	Closed
All compressors:			
Common safety MT	4	4	Open
Common safety LT	4	6	Open
Compressor 1-MT:			
General safety	3	1	Open
Compressor 2-MT:			
General safety	3	2	Open
Compressor 3-MT:			
General safety	3	3	Open
Compressor 1-LT:			
General safety	3	5	Open
Compressor 2-LT:			
General safety	3	6	Open
Compressor 1-IT:			
General safety	3	4	Open
Heat recovery			
Tw enable	2	3	Closed
Gen. purpose			
DI1 alarm input	2	2	Open

Press the + button to go to the next page

This control requires that the set-up is locked.  
(Only when the set-up is locked, are all settings for in- and outputs activated).

The set-up of the digital outputs appears as it is supposed to according to the wiring made.

The set-up of the digital inputs appears as it is supposed to according to the wiring made.

**An error has occurred, if you see the following:**

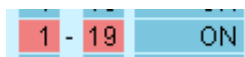


A **0 - 0** next to a defined function.  
If a setting has reverted to 0-0, you must control the set-up again.

This may be due to the following:

- A selection has been made of a combination of module number and point number that does not exist
- The selected point number on the selected module has been set up for something different

The error is corrected by setting up the output correctly.  
Remember that the set-up must be unlocked before you can change module and point numbers.



The settings are shown on a **RED** background.

If a setting has turned red, you must control the set-up again.

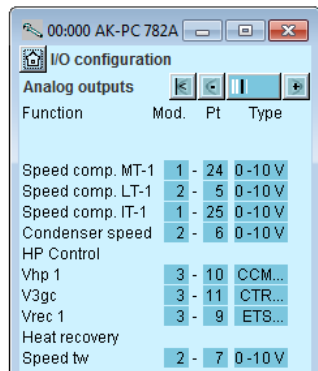
This may be due to the following:

- The input or the output has been set up; but the set-up has later been changed so that it should no longer be applied.

The problem is corrected by setting **module number to 0 and point number to 0.**

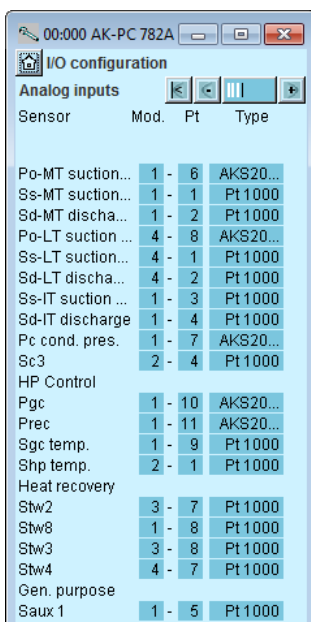
Remember that the set-up must be unlocked before you can change module and point numbers.

5. Check configuration of Analogue Outputs



Press the + button to go to the next page

6. Check configuration of Analogue Inputs



The set-up of the analogue outputs appears as it is supposed to according to the wiring made.

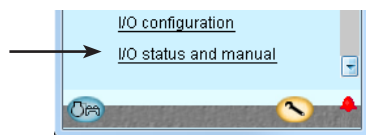
The set-up of the analogue inputs appears as it is supposed to according to the wiring made.



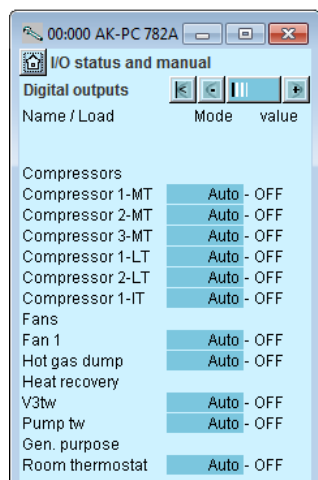
## Check of connections

1. Go to Configuration menu

2. Select I/O status and manual

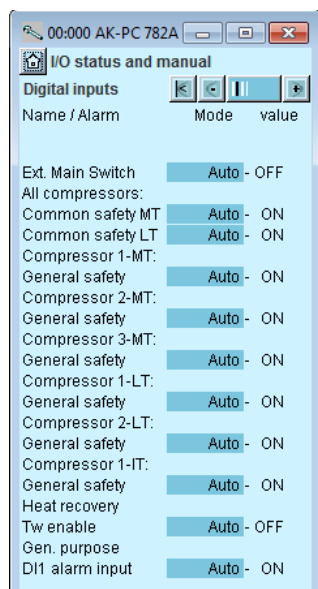


3. Check Digital Outputs



Press the + button to go to the next page

4. Check Digital Inputs



Press the + button to go to the next page

Before the control is started, we check that all inputs and outputs have been connected as expected.

**This control requires that the set-up is locked.**

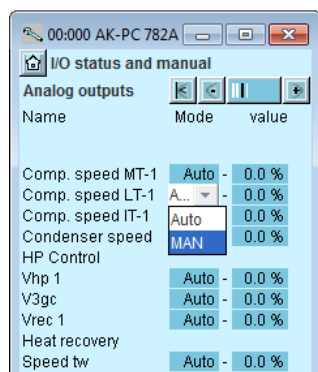
By means of the manual control of each output it can be checked whether the output has been correctly connected.

- AUTO**            The output is controlled by the controller
- MAN OFF**        The output is forced to pos. OFF
- MAN ON**         The output is forced to pos ON

Cut out the safety circuit for compressor 1. Check that LED DI1 on the extension module (module 2) goes out.

Check that the value of the alarm for the safety monitoring of compressor 1 changes to **ON**. The remaining digital inputs are checked in the same way.

5. Check Analogue outputs

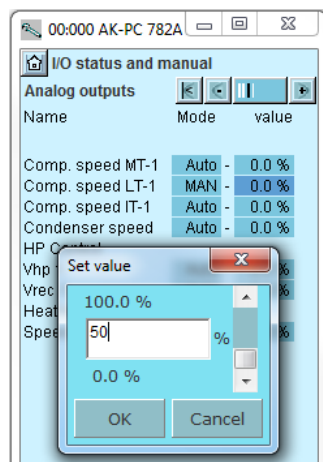


Set Control of output voltage to manual  
Press in the **Mode** field.  
Select **MAN**.

Press in the **Value** field  
Select for example **50%**.  
Press **OK**.

On the output you can now measure the expected value: In this example 5 volts

6. Put the control of the output voltage back to automatic

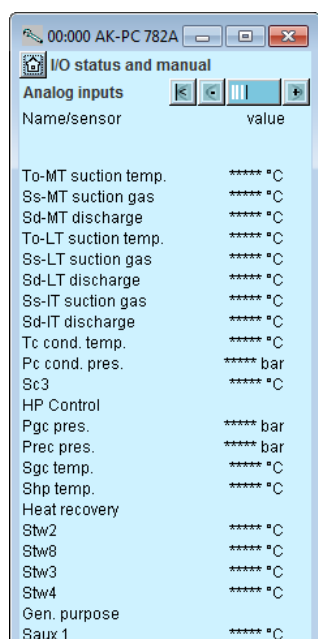


Example of the connection between a defined output signal and a manual set value.

Definition	Setting		
	0 %	50 %	100 %
<b>0 - 10 V</b>	0 V	5 V	10 V
<b>1 - 10 V</b>	1 V	5.5 V	10 V
<b>0 - 5 V</b>	0 V	2.5 V	5 V
<b>2 - 5 V</b>	2 V	3.5 V	5 V
<b>10 - 0 V</b>	10 V	5 V	0 V
<b>5 - 0 V</b>	5 V	2.5 V	0 V

Press the + button to go to the next page

7. Check Analogue inputs

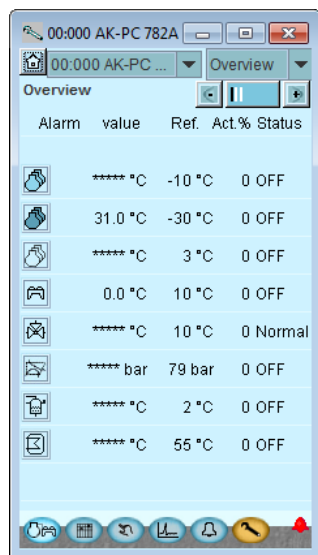


Check that all sensors show sensible values. In our case we have no values. This may be due to the following:

- The sensor has not been connected.
- The sensor is short-circuited.
- The point or module number has not been set up correctly.
- The configuration is not locked.

## Check of settings

1. Go to the overview



2. Select suction group

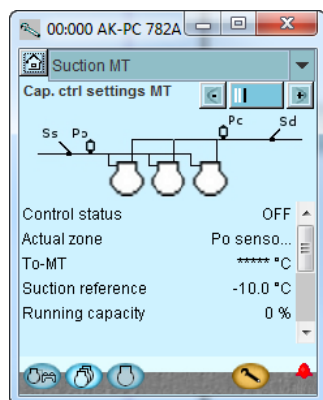


3. Move on through all the individual displays for the suction group



Change displays with the + button. Remember the settings at the bottom of the pages – the ones that can only be seen via the "Scroll bar".

4. Check the individual pages



5. Go back to the overview. Repeat for IT and LT



6. Select condenser group



Before the control starts, we check that all the settings are as they should be.

The overview display will now show one line for each of the general functions. Behind each icon there is a number of displays with the different settings. All these settings have to be checked.

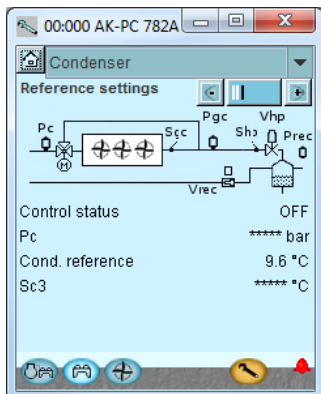
The last page contains control data.

7. Move on through all the individual displays for the condenser group.



Change displays with the + button. Remember the settings at the bottom of the pages – the ones that can only be seen via the "Scroll bar".

8. Check the individual pages



9. Go back to the overview and move on to the rest of the functions

10. General functions

When all the functions in overview display 1 have been reviewed, it is time to look at the "General functions" in overview display 2. Press the + button to access.

The first is the thermostat group



Check the settings.

11. Then the pressure switch group



Check the settings.

12. Proceed with the remaining functions

13. The controller set-up has been completed

The last page contains reference settings.

All the defined general functions are shown in overview display 2.

In addition to always being shown in display 2, functions can be selected to be shown in display 1. Individual functions can be selected for display in display 1 via the "Show in overview display" setting.

## Schedule function

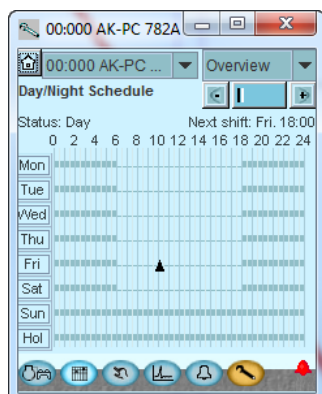
1. Go to Configuration menu



2. Select schedule



3. Set up schedule



Before regulation is started, we will set the schedule function for the night setback of the suction pressure.

In other cases where the controller is installed in a network with one system unit, this setting may be made in the system unit which will then transmit a day/night signal to the controller.

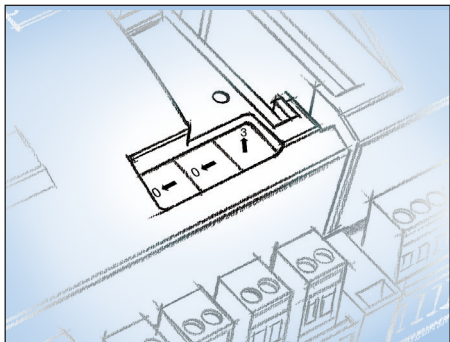
Press a day of the week and set the time for the day period. Continue with the other days. A complete weekly sequence is shown in the display.

## Installation in network

### 1. Set the address (here, for example 3)

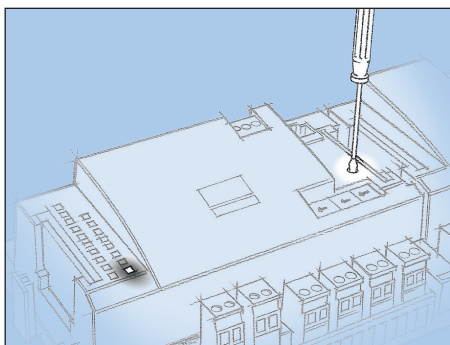
Turn the right-hand address switch so that the arrow will point at 3.

The arrow of the two other address switches must point at 0.



### 2. Push the Service Pin

Press down the Service Pin and keep it down until the Service Pin LED lights up.



### 3. Wait for answer from the system unit

Depending on the size of the network it may take up to one minute before the controller receives an answer as to whether it has been installed in the network.

When it has been installed, the Status LED will start to flash faster than normal (once every half second). It will continue with this for about 10 minutes.

### 4. Carry out new login via Service Tool



If the Service Tool was connected to the controller while you installed it in the network, you must carry out a new login to the controller via the Service Tool.

The controller has to be remote-monitored via a network. In this network we assign address number 3 to the controller. The same address must not be used by more than one controller in the same network.

**Requirement to the system unit**  
The system unit must be:

- AK-SM 720.
- AK-SM 800 serie.

*If there is no answer from the system unit:*

If the Status LED does not start flashing faster than normal, the controller has not been installed in the network. The reason for this may be one of the following:

**The controller has been assigned an address out of range**  
Address 0 cannot be used.

**The selected address is already being used by another controller or unit in the network:**  
The address setting must be changed to another (vacant) address.

**The wiring has not been carried out correctly.**  
**The termination has not been carried out correctly.**  
The data communication requirements are described in the document: "Data communication connections to ADAP-KOOL® Refrigeration Controls" RC8AC.

## First start of control

### Check alarms

1. Go to the overview



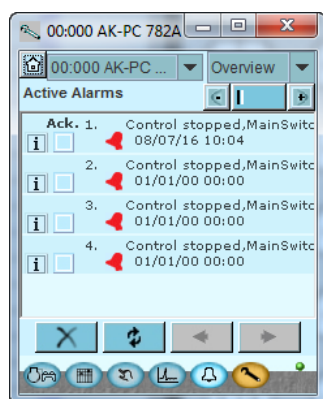
Press the blue overview button with the compressor and condenser at the bottom left of the display.

2. Go to the Alarm list



Press the blue button with the alarm bell at the bottom of the display.

3. Check active alarms

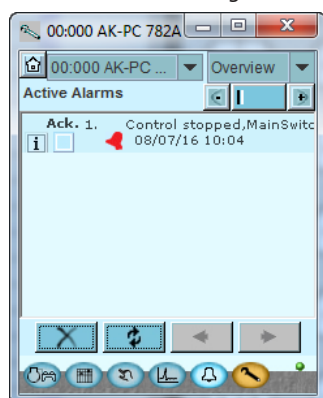


4. Remove cancelled alarm from the alarm list



Press the red cross to remove cancelled alarms from the alarm list.

5. Check active alarm again



In our case, we have a series of alarms. We will tidy them up so that we only have those that are relevant.

In our case an active alarm remains because the control has stopped.  
This alarm must be active when control has not started. We are now ready for the start-up of control.

Please note that active plant alarms are automatically cancelled when the main switch is in pos. OFF.  
If active alarms appear when the control is started, the reason for these should be found and remedied.

## Start the control

1. Go to Start/Stop display



Press the blue manual control button at the bottom of the display.

2. Start control

Press in the field against **Main switch**.  
Select **ON**.

The controller will now start controlling the compressors and the fans.

Note:  
Control does not start until both the internal and external switches are "ON".

Any external compressor stop breaker must be "ON" for the compressors to start.



## Manual capacity control

1. Go to overview



2. Select suction group

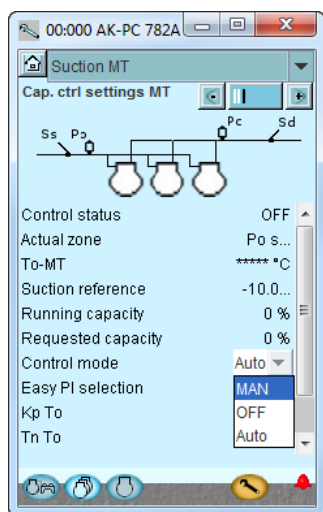


Press the suction group button for the suction group that is to be controlled manually.



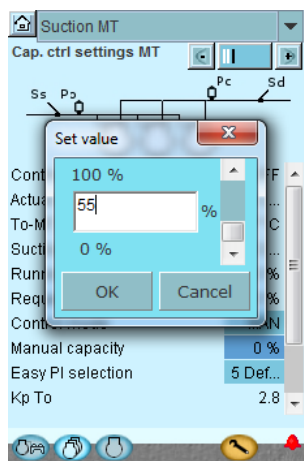
Press the + button to go to the next page

3. Set capacity control to manual



4. Set capacity in percentage

Press in the blue field **Manual capacity**.



If you need to manually adjust the capacity of the compressors, you can use the following procedure:

Press the blue field **Control mode**.  
Select **MAN**.

Set the capacity to the required percentage.  
Press **OK**.

## 5. Regulating functions

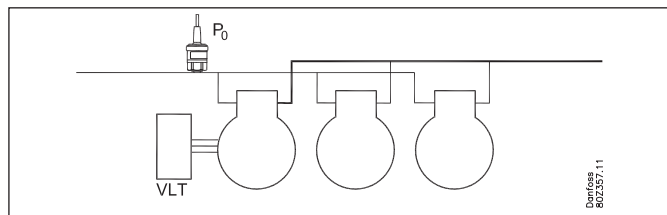
This section describes how the different functions work.

### Suction group

#### Controlling sensor

The capacity distributor can regulate according to the suction pressure P<sub>0</sub>.

The IT compressors are also regulated according to the suction pressure, but the signal is received from the receiver - Prec. See page 118 for IT description



An error in the controlling sensor will mean that regulation continues with fx. 50% cut-in in daily operation and e.g. 25% cut-in at night, but for a minimum of one step.

#### Reference

The reference for the regulation can be defined in 2 ways:

Either

$P0Ref = P0 \text{ setting} + P0 \text{ optimization} + \text{night displacement}$

or

$P0Ref = P0 \text{ setting} + \text{Ext. Ref} + \text{night displacement}$

#### P0 setting

A basic value for the suction pressure is set.

#### P0 optimization

This function displaces the reference so that regulation will not take place with a lower suction pressure than required.

The function cooperates with controllers on the individual refrigeration appliances and a system manager. The system manager obtains data from the individual regulations and adapts the suction pressure to the optimum energy level. The function is described in the manual for the system manager.

With this function you can read which appliance is most heavily loaded at the moment as well as the displacement allowed for the suction pressure reference.

#### Night displacement

The function is used to change the suction pressure reference for night time operation as an energy saving function.

With this function the reference can be displaced by up to 25 K in positive or negative direction. (When you displace to a higher suction pressure, a positive value is set).

Displacement can be activated in three ways:

- Signal on an input
- From a system unit override function
- Internal time schedule

*The "night displacement" function should not be used when regulation with the override function "P0-optimisation" is performed. (Here the override function itself will adapt the suction pressure to the max. permissible).*

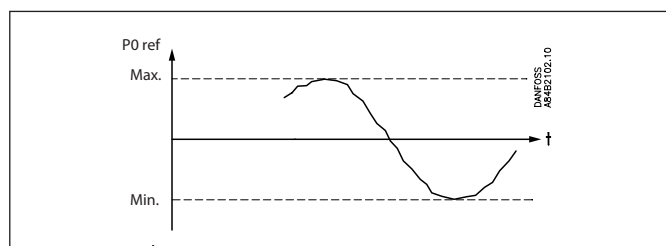
If a short change in the suction pressure is needed (for example, up to 15 minutes in connection with defrosting), the functions can be applied. Here the P0-optimisation will not have time to compensate for the change.

#### Override with a 0 - 10 V signal

When a voltage signal is connected to the controller, the reference can be displaced. In the set-up it is defined how big a displacement is to take place at max. signal (10 V) and at min. signal.

#### Limitation of reference

To safeguard yourself against a too high or too low regulation reference, a limitation of the reference must be set.



#### Forced operation of the compressor capacity in the suction group

A forced operation of the capacity can be carried out which disregards the normal regulation.

Depending on the selected form of forced operation, the safety functions will be cancelled.

#### Forced operation via overload of requested capacity

The control is set to manual and the desired capacity is set in % of the possible compressor capacity.

#### Forced operation via overload of digital outlets

The individual outputs can be set to MAN ON or MAN OFF in the software. The control function disregards this, but an alarm is sent out that the outlet is being overridden.

#### Forced operation via change-over switches

If the forced operation is done with the switch-over on the front of an expansion model, this is not registered by the control function and no alarm is sounded. The controller continues to run and couples with the other relays.

#### Coordination between the LT and MT compressors

The LT (low pressure) compressors are only permitted to start when MT (medium pressure) is ready, but has not necessarily started the compressors.

LT will then start when required.

When this happens, MT will register the pressure increase and immediately start the MT compressors in line with the desired pressure.

## Capacity control of compressors

### Capacity control

AK-PC 782A can control 3 compressor groups - MT, IT and LT. Each compressor can have up to 3 unloaders. One or two of the compressors can be equipped with speed regulation.

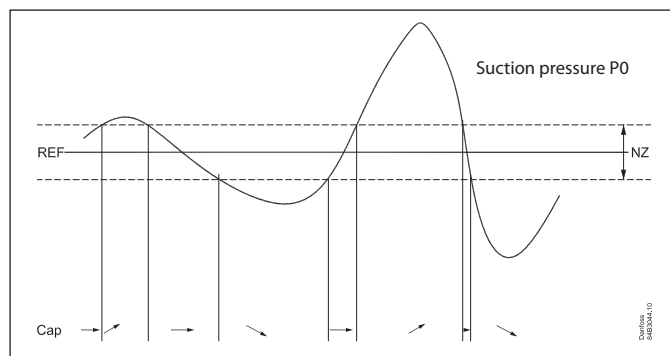
The cut-in capacity is controlled by signals from the connected pressure transmitter and the set reference.

Set a neutral zone around the reference.

In the neutral zone, the regulating compressor controls the capacity so that pressure can be maintained. When it can no longer maintain the pressure within the neutral zone, the controller will cut out or cut in the next compressor in the sequence.

When further capacity is either cut out or cut in, the capacity from the regulating compressor will be modified accordingly to maintain the pressure within the neutral zone (only where the compressor has variable capacity).

- When the pressure is higher than the "reference + a half neutral zone", cut-in of the next compressor (arrow up) is permitted.
- When the pressure is lower than the "reference - a half neutral zone", cut-out of a compressor (arrow down) is permitted.
- When the pressure is within the neutral zone, the process will continue with the currently activated compressors. Unload valves (if present) will activate, depending on whether suction pressure is above or below the reference value.



### Change capacity

The controller will cut in or cut out capacity based on these basic rules:

#### Increase capacity:

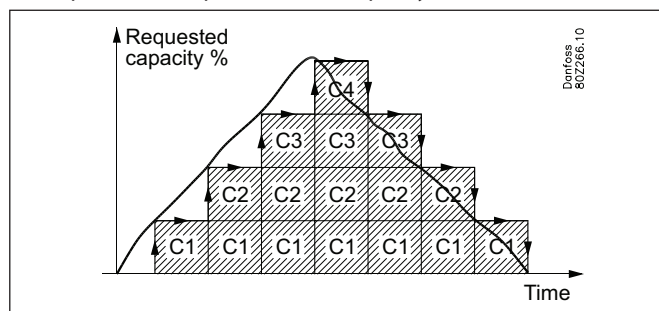
The capacity distributor will start extra compressor capacity as soon as the requested capacity has increased to a value which allows the next compressor step to start. Referring to below example - a compressor step is added as soon as there is "Room" for this compressor step below the requested capacity curve.

#### Decrease capacity:

The capacity distributor will stop compressor capacity as soon as the requested capacity has decreased to a value which allows the next compressor to stop. Referring to below example - a compressor step is stopped as soon as there is no more "Room" for this compressor step above the requested capacity curve.

### Example:

4 compressors of equal size - The capacity curve will look like this



Cut-out of the last compressor stage:

Normally, the last compressor step will only be cut out when the required capacity is 0% and the suction pressure is below the neutral zone.

### Operation time first step

At start-up the refrigeration system must have time to be stable before the PI controller takes over the control. For this purpose, at start-up of a plant, a limitation is made of the capacity so that only the first capacity step will cut in after a set period (to be set via "runtime first step").

### Pump down function:

To avoid too many compressor starts/stops with low load, it is possible to define a pump down function for the last compressor.

If the pump down function is used, the compressors will be cut out when the actual suction pressure is down to the configured pump down limit.

When the pump down limit is approaching the neutral zone, it will be limited to NZ minus 1 K. This can occur if receiver pressure has been optimized.

Note that the configured pump down limit should be set higher than the configured safety limit for low suction pressure "Min Po".

For the IT compressor, pump down will be controlled by the receiver and MT temperature.

### Variable integration time

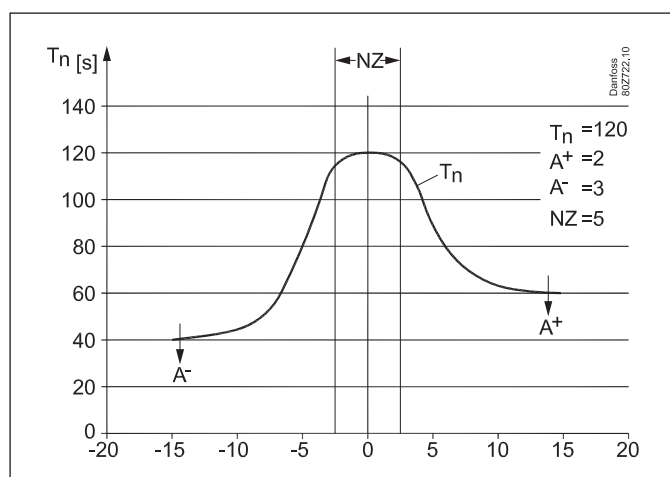
There are two parameters to make T<sub>n</sub> variable. This allows control to be more rapid the further pressure deviates from the reference. The A<sup>+</sup> setting will lower T<sub>n</sub> when the pressure is above the reference, and the A<sup>-</sup> setting will lower T<sub>n</sub> when the pressure is below the reference.

T<sub>n</sub> has been set to 120 s in the graph below, and falls to 60 s if the pressure is above the reference and to 40 s if the pressure is below the reference.

Above the reference: Set T<sub>n</sub> divided by the A<sup>+</sup> value.

Below the reference: Set T<sub>n</sub> divided by the A<sup>-</sup> value.

The controller calculates the curve in such a manner that regulation is smooth.



### Regulation parameters

To make it easier to start up the system, we have grouped regulation parameters into sets of commonly used values, called "Easy-settings". Use these to choose between sets of settings appropriate for a system which responds slowly or quickly. The factory setting is 5.

If you need to fine-tune the control, select the "User defined" setting. All parameters can then be freely adjusted.

Easy-Settings	Regulation parameters			
	K <sub>p</sub>	T <sub>n</sub>	A <sup>+</sup>	A <sup>-</sup>
1 = Slowest	1.0	200	3.5	5.0
2	1.3	185	3.5	4.8
3 = Slower	1.7	170	3.5	4.7
4	2.1	155	3.5	4.6
5 = Default	2.8	140	3.5	4.4
6	3.6	125	3.5	4.2
7 = Faster	4.6	110	3.5	4.1
8	5.9	95	3.5	4.0
9	7.7	80	3.5	3.8
10 = Fastest	9.9	65	3.5	3.5
User defined	1.0 - 10.0	10 - 900	1.0 - 10.0	1.0-10.0

## Capacity distribution methods

The capacity distributor can work based on 2 distribution principles.

### Coupling pattern – Cyclical operation:

This principle is used if all compressors are of the same type and size.

The compressor cuts in and cuts out in accordance with the "First In First Out" principle (FIFO) to equalise operating hours between the compressors.

Speed-regulated compressors will always be cut in first, and the variable capacity is used to fill capacity gaps between the subsequent steps.

#### Timer restrictions and safety cut outs

If a compressor is prevented from starting because it is "hanging" on the restart timer or is safety cut out, this step is replaced by another compressor.

### Operating time equalisation

The operating hour equalizing is carried out between compressors of the same type with the same total capacity.

- At the different start-ups, the compressor with the lowest number of operating hours will be started first.
- At the different stops, the compressor with the highest number of operating hours will be stopped first.
- For compressors with several steps, the operating time equalizing is carried out between the compressors' main steps.

	Equaliza...	24h	Total
1	0 h	0.0 %	0 h
2	0 h	0.0 %	0 h
3	0 h	0.0 %	0 h

- The left column shows the operating hours, according to which the controller equalises.
- The middle column shows (as a percentage) to what extent the individual compressor has been activated within the last 24 hours.
- The right column shows the compressor's current operating time. The value should be reset when the compressor is replaced.

### Coupling pattern – Best fit operation

This principle is used if the compressors are of different sizes.

The capacity distributor will cut-in or cut-out the compressor capacity in order to ensure the least possible capacity jump. Speed-regulated compressors will always be cut in first, and the variable capacity will be used to fill capacity gaps between the subsequent steps.

#### Timer restrictions and safety cut outs

If a compressor is prevented from starting because it is "hanging" on the restart timer or is safety-cut out, this step is replaced by another compressor or another combination.

## Power pack types – compressor combinations

The controller is able to control power packs with compressors of various types:

- One or two speed controlled compressors
- Capacity controlled piston compressors with up to 3 unloader valves
- Single step compressors – piston

The chart below shows the compressor combination which the controller is capable of controlling. The chart also shows which coupling pattern can be set for the individual compressor combinations.

Combination	Description	Coupling pattern	
		Cyclical	Best fit
	One-step compressors. *1	x	x
	A compressor with an unloader valve, combined with one-step compressors. *2	x	
	Two compressors with unloader valves, combined with one-step compressors. *2	x	
	All compressors with unloader valves. *2	x	
	A speed-regulated compressor combined with one-step compressors. *1 and *3	x	x
	A speed-regulated compressor combined with several compressors with unloader valves. *2 and *3	x	
	Two speed-regulated compressors combined with one-step compressors *4	x	x

- \*1) For a cyclical coupling pattern, the one-step compressors must be the same size
- \*2) For compressors with unloader valves, it is generally true that they must have the same size, the same number of unloader valves (max 3) and the same sized main steps. If compressors with unloader valves are combined with one-step compressors, all compressors should be the same size
- \*3) Speed-regulated compressors can have different sizes in relation to subsequent compressors
- \*4) When two speed-regulated compressors are used, they must have the same frequency range. For cyclical coupling patterns, the two speed-regulated compressors should be the same size and the subsequent one-step compressors should also be the same size.

In appendix A there is a more detailed description of the coupling patterns for the individual compressor applications with associated examples.

The following is a description of some general rules for handling capacity-regulated compressors, speed-regulated compressors and also for two speed-regulated compressors.

### Capacity-regulated compressors with unloader valves

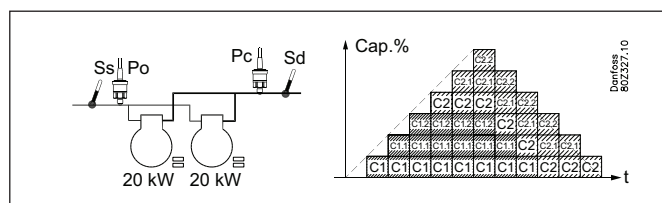
"Unloader control mode" determines how the capacity distributor should handle these compressors.

#### Unloader control mode = 1

Here the capacity distributor allows only one of the compressors to be unloaded at a time. The advantage of this setting is that it avoids operating with several compressors unloaded, which is not energy efficient.

#### Example:

Two capacity-regulated compressors of 20 kW, each with 2 unloader valves, cyclical coupling pattern.



- For decreasing capacity, the compressor with the most operating hours is unloaded (C1).
- When C1 is completely unloaded, it is cut out before compressor C2 is unloaded.

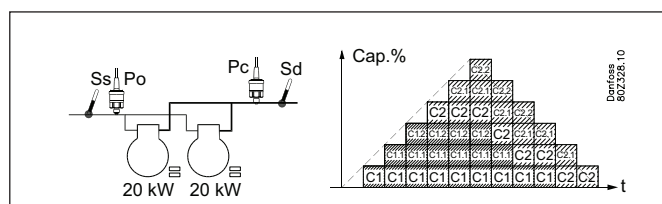
#### Unloader control mode = 2

Here the capacity distributor allows two compressors to be unloaded while capacity is decreasing.

The advantage of this setting is that it reduces the number of compressor start/stops.

#### Example:

Two capacity-regulated compressors of 20 kW, each with 2 unloader valves, cyclical coupling pattern.



- For decreasing capacity, the compressor with the most operating hours is unloaded (C1).
- When C1 is completely unloaded, compressor C2 with one-step is unloaded before C1 is cut out.

#### Attention!

Relay outputs must not be inverted at unloader valves. The controller inverts the function itself. There will be no voltage at the bypass valves when the compressor is not in operation. Power is connected immediately before the compressor is started.

**Speed control compressors:**

The controller is able to use speed control on the leading compressor in different compressor combinations. The variable part of the speed controlled compressor is used to fill in capacity gaps of the following compressor steps.

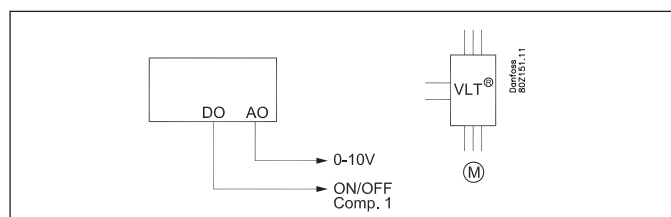
*General regarding handling:*

One or two of the defined capacity steps for the compressor regulation may be connected to a speed control unit that may be a frequency converter type VLT, for example.

An output is connected to the frequency converter's ON/OFF input and at the same time an analogue output "AO" is connected to the frequency converter's analogue input.

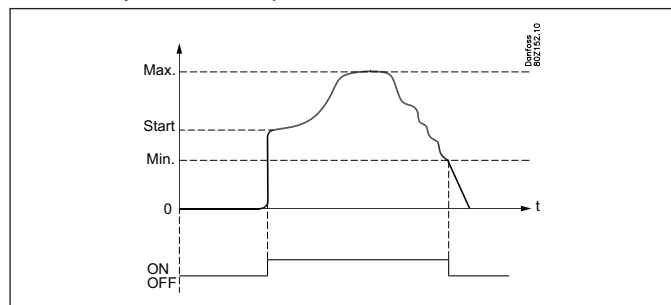
The ON/OFF signal will start and stop the frequency converter and the analogue signal will indicate the speed.

It is only the compressor defined as compressor 1 (1+2) that can be speed controlled.



When the step is in operation, it will consist of a fixed capacity and a variable capacity. The fixed capacity will be the one that corresponds to the mentioned min. speed and the variable one will lie between the min. and max. speed. To obtain the best regulation, the variable capacity must be bigger than the subsequent capacity steps that it has to cover during the regulation. If there are major short-term variations in the plant's capacity requirement it will increase the demand for variable capacity.

This is how you cut the step in and out:



**Cut-in**

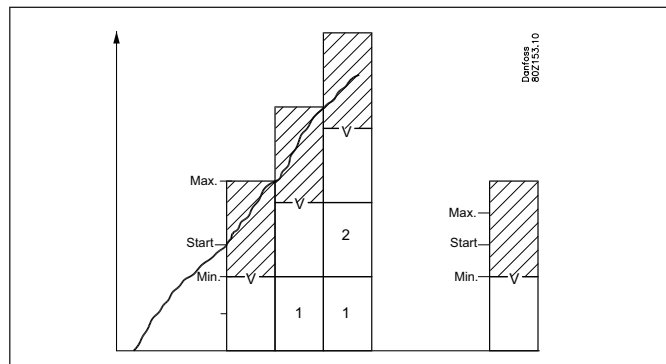
The speed-controlled compressor will always be the first to start and the last to stop. The frequency converter will be started when a capacity requirement corresponding to the mentioned "Start speed" arises (the relay output changes to ON and the analogue output is supplied with a voltage corresponding to this speed). It is now up to the frequency converter to bring the speed up to "Start speed".

The capacity step will now be cut in and the required capacity determined by the controller.

The start speed always ought to be set so high that a fast lubrication of the compressor is obtained during the start.

*Controlling – increasing capacity*

If the need for capacity becomes larger than "Max. Speed", then the subsequent compressor step will be cut in. At the same time, the speed on the capacity step will be reduced so the capacity is reduced with a size that corresponds to exactly the cut-in compressor step. Thereby a completely "frictionless" transition is achieved without capacity holes (refer also to sketch).



*Controlling – decreasing capacity*

If the capacity requirement becomes less than "Min. speed" then the subsequent compressor step will be cut out. At the same time, the speed on the capacity step is increased so the capacity is increased with a size that corresponds to exactly the cut-out compressor step.

*Cut-out*

The capacity step will be cut out when the compressor has reached "Min. Speed" and the requested capacity has dropped to 1%.

*Timer restriction on speed controlled compressor*

If a speed controlled compressor is not allowed to start due to a timer restriction, no other compressor is allowed to start. When the timer restriction has expired the speed controlled compressor will start.

*Safety cut-out on speed controlled compressor*

If the speed controlled compressor is cut out on safety, other compressors are allowed to start. As soon as the speed controlled compressor is ready to start it will be the first compressor to start.

As mentioned before the variable part of the speed capacity should be bigger than the capacity of the following compressor steps in order to achieve a capacity curve without "holes". In order to illustrate how the speed control will react at different pack combinations a couple of examples will be given here:



**a) Variable capacity bigger than following compressor steps:**

When the variable part of the speed controlled compressor is bigger than the following compressors, there will be no “holes” in the capacity curve.

Example:

1 speed controlled compressor with a nominal capacity at 50Hz of

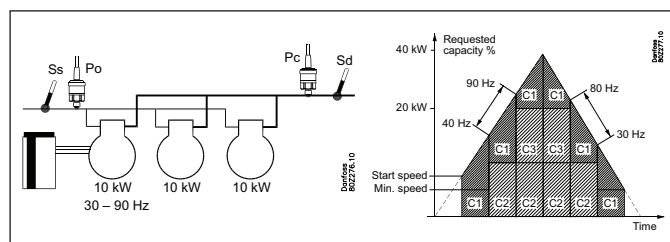
10kw - Variable speed range 30 – 90Hz

2 one step compressors of 10 kW

Fixed capacity = 30 HZ / 50 HZ x 10 kW = 6 kW

Variable capacity = 60 HZ / 50Hz x 10 kW = 12 kW

The capacity curve will look like this:



As the variable part of the speed controlled compressor is bigger than the following compressor steps, the capacity curve will be without holes.

- 1) The speed controlled compressor will be cut in when the requested capacity has reached the start speed capacity
- 2) The speed controlled compressor will increase speed until it reaches max speed at a capacity of 18 kW
- 3) The one-step compressor C2 of 10 kW is cut in and the speed on C1 is reduced too so that it corresponds to 8kW (40Hz)
- 4) The speed controlled compressor will increase speed until the total capacity reaches 28 kW at max. speed
- 5) The one-step compressor C3 of 10 kW is cut in and the speed on C1 is reduced too so that it corresponds to 8kW (40Hz)
- 6) The speed controlled compressor will increase speed until the total capacity reaches 38 kW at max. speed
- 7) When reducing capacity, the one-step compressors will be cut out when the speed on C1 is at minimum

**b) Variable part smaller than following compressor steps:**

If the variable part of the speed controlled compressor is smaller than the following compressors there will be “holes” in the capacity curve.

Example:

1 speed controlled compressor with a nominal capacity at 50Hz of

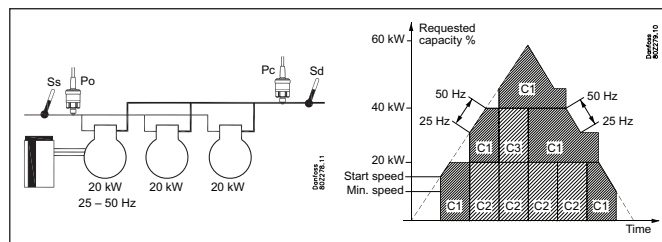
20kw - Variable speed range 25 – 50Hz

2 one step compressors of 20 kW

Fixed capacity = 25 HZ / 50 HZ x 20 kW = 10 kW

Variable capacity = 25 HZ / 50Hz x 20 kW = 10 kW

The capacity curve will look like this:



As the variable part of the speed controlled compressor is smaller than the following compressor steps, the capacity curve will have some holes that cannot be filled out by the variable capacity.

- 1) The speed controlled compressor will be cut in when the requested capacity has reached the start speed capacity
- 2) The speed controlled compressor will increase speed until it reaches max. speed at a capacity of 20 kW
- 3) The speed controlled compressor will stay at max. speed until the requested capacity has increased to 30 kW
- 4) The one-step compressor C2 of 20 kW is cut in and the speed on C1 is reduced to min. so that it corresponds to 10kW (25Hz). Total capacity = 30 kW.
- 5) The speed controlled compressor will increase speed until the total capacity reaches 40 kW at max. speed
- 6) The speed controlled compressor will stay at max. speed until the requested capacity has increased to 50 kW
- 7) The one-step compressor C3 of 20kW is cut in and the speed on C1 is reduced to min. so that it corresponds to 10kW (25Hz). Total capacity = 50 kW
- 8) The speed controlled compressor will increase speed until the total capacity reaches 60 kW at max speed
- 9) When reducing capacity, the one step compressors will be cut out when the speed on C1 is at minimum speed.



### Two speed-regulated compressors

The controller is capable of regulating the speed of two compressors of the same or different sizes. The compressors can be combined with one-step compressors of the same or different sizes, depending on the choice of coupling pattern.

#### General regarding handling:

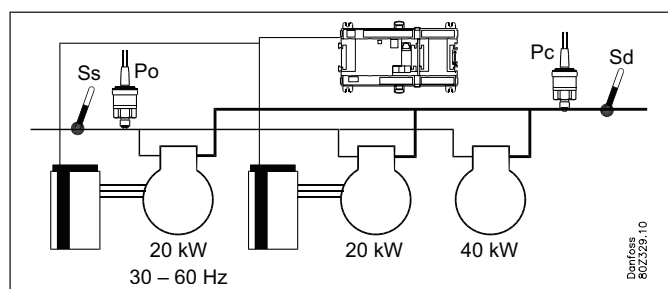
Generally, the two speed-regulated compressors are managed according to the same principle as for one speed-regulated compressor. The advantage of using two speed-regulated compressors is that it allows for a very low capacity, which is an advantage for low loads. At the same time, it produces a very large, variable regulating area.

Compressor 1 and 2 both have their own relay outlets to start/stop separate frequency converters, for example of type VLT.

Both frequency converters use the same analogue output signal AO which is connected to the frequency converters' analogue signal input (they can, however, be configured to run individual signals). The relay outputs will start and stop the frequency converter and the analogue signal will indicate the speed.

The precondition for using this regulating method is that both compressors have the same frequency range.

The speed-regulated compressors will always be the first to start and the last to stop.



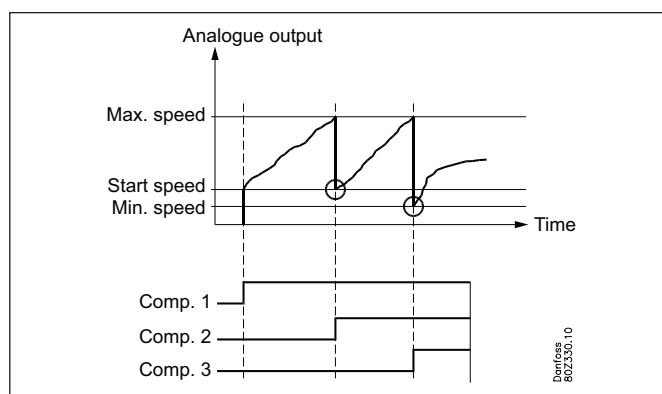
#### Cut-in

The first speed-regulated compressor will be started when there is a capacity requirement which matches the setting.

The "Start speed" (relay outlet changes to on and the analogue outlet is supplied with a voltage that matches this speed). It is now up to the frequency converter to bring the speed up to the "Start speed".

The capacity step will now be cut in and the desired capacity determined by the controller.

The start speed should always be set so high that a good lubrication of the compressor is quickly reached during start-up. For a cyclical coupling pattern, the subsequent speed-regulated compressor will be cut in when the first compressor runs at max. speed and the desired capacity has reached a value that allows the cut-in of the next speed-regulated compressor at start speed. Afterwards, both compressors will be cut in together and will run in parallel. The following one-step compressors will be cut in and out in accordance with the selected coupling pattern.



#### Controlling – decreasing capacity

The speed-regulated compressors will always be the last compressors running.

When the capacity requirement during cyclical operations becomes less than "Min. speed" for both compressors, the speed-regulated compressor with the most operating hours will be cut-out. At the same time, the speed of the last speed-regulated compressor increases so that the capacity is increased to the level that matches the cut-out compressor's step.

#### Cut-out

The last speed-regulated compressor will be cut-out when the compressor has reached "Min. speed" and the capacity requirement (desired capacity) has decreased to under 1% (see however the section on the pump down function).

#### Timer restriction and safety cut-outs

Timer limits and safety cut-outs on speed-regulated compressors should be managed in accordance with the general rules for individual coupling patterns.

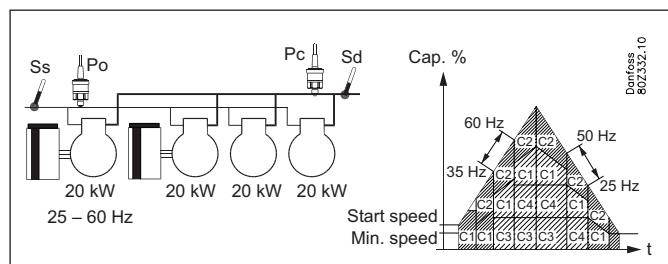
Short descriptions and examples are given below of the handling of two speed-regulated compressors for the individual coupling patterns. For a more detailed description, refer to the appendix at the end of the chapter.

#### Cyclical operation

For cyclical operations, both speed-regulated compressors will have the same size and operating hours will be equalized between the compressors in accordance with the First-in-First-Out Principle (FIFO). The compressor with the least operating hours will be the first to start. The following speed-regulated compressor will be cut in when the first compressor runs at max. speed and the desired capacity has reached a value that allows the cut-in of the next speed-regulated compressor at start speed. Afterwards, both compressors will be cut in together and they will run in parallel. The following one-step compressors will be cut in and out in accordance with First-In-First-Out principle in order to equalise operating hours.

Example:

- Two speed-regulated compressors with a nominal capacity of 20 kW and frequency range 25 – 60 Hz
- Two one-step compressors, each of 20 kW



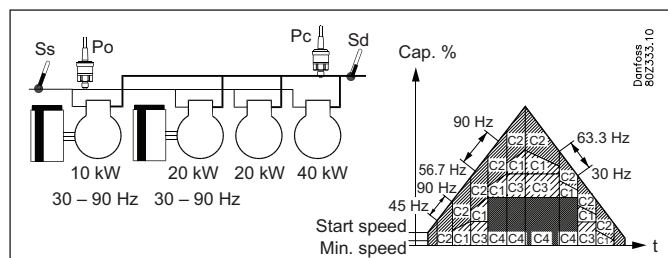
**Best fit**

During best-fit operations, the speed-regulated compressors can have different sizes and they will be handled in such a way that the best possible capacity adjustment is achieved. The smallest compressor will be started first, then the first will be cut out and the second compressor will cut in. Finally, both compressors will be cut in together and will run in parallel.

The following one-step compressors will, in every case, be handled in accordance with the best-fit coupling pattern.

Example:

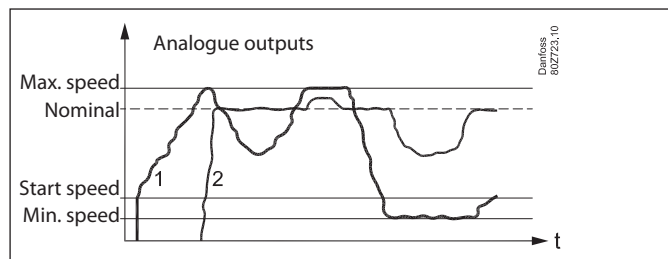
- Two speed-regulated compressors with a nominal capacity of 10 kW and 20 kW respectively
- Frequency range of 25-60 Hz
- Two one-step compressors of 20 and 40 kW respectively



**Two independent speed-regulated compressors**

If the two speed-regulated compressors need to be controlled asynchronously, they must each have their own analogue voltage signal.

The controller first starts one of the speed-regulated compressors. If more capacity is required, the other speed-regulated compressor is started, and then the single compressors.



The first is run up to maximum speed. Number two is then activated and run up to nominal speed – and kept there. The speed of number one is reduced at the same time, so the capacity is balanced. All variations are now handled by number one. If number one reaches maximum speed, number two will also be raised.

If number one reaches minimum speed, it will be kept there while number two takes over the variation below its nominal speed. When engaging and disengaging, the total hours of operation for the compressors is compared, so they are run an equal number of hours.

**Compressor timers**

**Time delays for cut-ins and cut-outs**

To protect the compressor against frequent restarts, three time delays can be put in:

- A minimum time to run from a compressor's start-up and until it may be restarted
- A minimum time (ON-time) for the compressor to operate before it may be stopped again
- A minimum OFF time to run from a compressor stops and until it may be restarted

When unloaders are cut in and out, the time delays will not be used.

**Timer**

The operating time of a compressor motor is registered continuously. You can read out:

- operating time for the previous 24-hour period
- total operating time since the timer was last set to zero-set

**Equalizing operating hours**

Operating hours are also summed in the "Equalization time" field. During cyclical operation, this field is used for equalizing operating hours.

**Coupling counter**

The number of relay cut-ins and cut-outs is registered continuously. The number of starts can be read out here:

- Number during the previous 24-hour period
- Total number since the counter was last set to zero-set

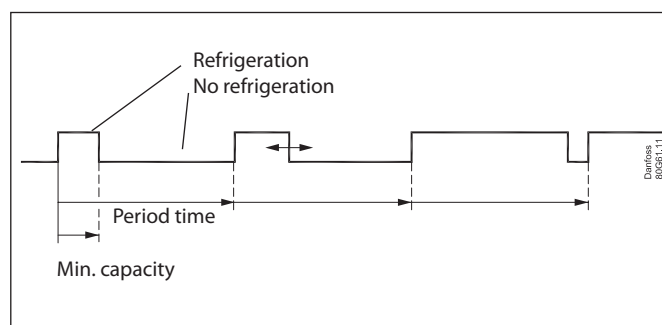
**Compressor with variable capacity**

**Digital scroll compressor**

The capacity is divided into period times as "PWM per". 100% capacity is delivered when cooling takes place for the whole period.

An off time is required by the bypass valve within the period and an on time is also permitted. There is "no cooling" when the valve is on.

The controller itself calculates the capacity needed and will then vary it according to the cut-in time of the bypass valve. A limit is introduced if low capacity is needed so that the cooling does not go below 10%. This is because the compressor can cool itself. This value can be increased if necessary.



### Copeland Stream compressor

The PWM signal can also be used to control one stream compressor with one unloader valve (Stream 4) or one with two unloaders (Stream 6).

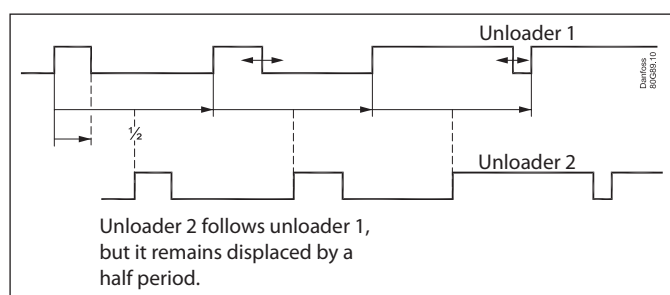
Stream 4: The compressor capacity is distributed by up to 50% for one relay and the remaining 50-100% for the unloader.

Stream 6: The compressor capacity is distributed by up to 33% for one relay and the remaining 33-100% for the unloader.

### Bitzer CR11 Ecoline

CR11 4: The pulse signal can also be used to control one CR11 with two unloaders (4-cylinder version).

The compressor capacity can be controlled from 10 to 100%, depending on the pulsation of the unloaders. The compressor start signal is connected to a relay output, and the unloaders are connected to solid state output e.g. DO1 and DO2.



CR11 6: The pulse signal can also be used to control one CR11 with three unloaders (6-cylinder version).

The compressor signal is connected to one relay output. The two unloaders are connected to solid state output fx DO1 and DO2. The third is connected to a relay output. The compressor capacity can be controlled from 10 to 67%, depending on the pulse of the unloaders. The relay is then connected to the third unloader. When this relay is off, the capacity will be controlled between 33 and 100%.

### Individual Sd monitoring

When regulating with Sd monitoring, one of the three compressor types will increase capacity if the temperature nears the Sd limit. This will result in better cooling of the unloaded compressor.

### Load shedding

On some installations there is the desire to limit the cut-in compressor capacity so that one can limit the total electrical load in the store for periods. (The IT circuit is not directly affected)

This limitation can be activated in the following way:

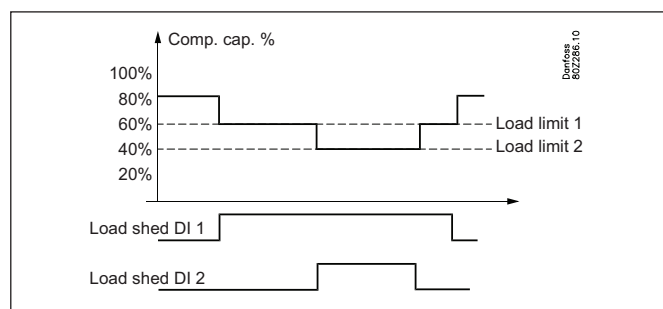
- Via signal from the network
- Via signal on one DI input + signal via the network
- Via signal on two DI inputs + signal via the network

The signal via the network will result in the same function as if the signal was received on DI 1.

For each digital inlet a limit value is attached for the maximum allowable cut-in compressor capacity so that one can carry out the capacity limitation in 2 steps.

When a digital inlet is activated, the maximum allowable compressor capacity is limited to the set limit. This means that if the actual compressor capacity upon activation of the digital inlet is higher than this limit, then so much compressor capacity is cut out that it will then be on or under the set maximum limit value for this digital inlet.

The threshold value may not be set lower than the compressor's lowest capacity step/"Start speed".



When both load-shedding signals are active, the lowest limit value for the capacity will be the one that is applicable.

### Max. time

A max. period with low compressor capacity can be set. When the period expires, the system switches to normal regulation until the suction pressure is once again in place. Load shedding will then be permitted.

### Overriding of load shedding:

To avoid load shedding leading to temperature problems for the chilled products, an overriding function is fitted.

An overriding limit is set for the suction pressure as well as a delay time for each digital inlet.

If the suction pressure during load shedding exceeds the set P0 overriding limit and the attached delay times for the two digital inlets expire, then load shedding overrides the signals so that the compressor capacity can be increased until the suction pressure is again under the normal reference value. The load shedding can then be activated again.

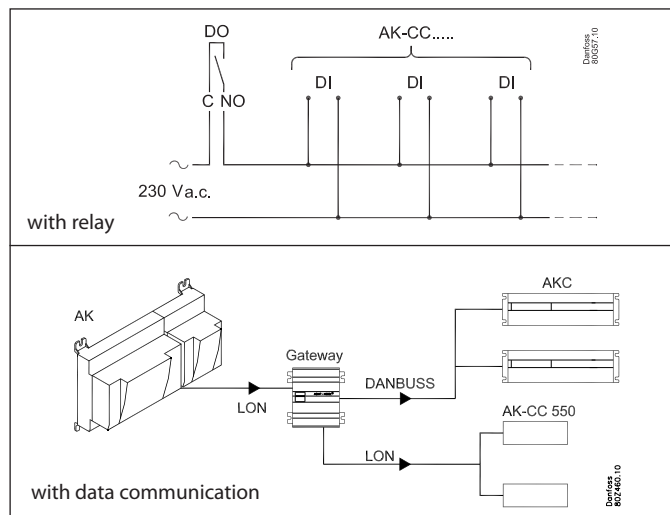
### Alarm:

When a load shedding digital inlet is activated, an alarm will be activated to inform that the normal control has been bypassed. This alarm can however be suppressed if so desired.

## Injection ON

The electronic expansion valves in the refrigeration appliances must be closed when all the compressors are prevented from starting. In this way the evaporators will not be filled with liquid which is subsequently passed on to a compressor when regulation is restarted.

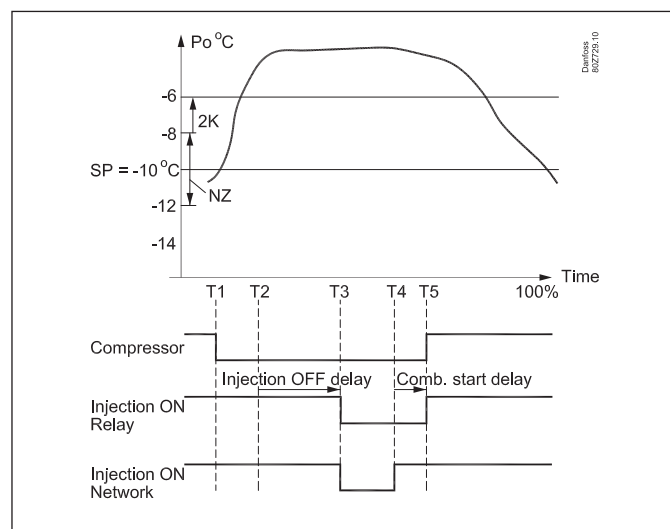
One of the compressor control relays may be used for this function, or the function can be obtained via data communication.



The function is described based on the sequence of events below:

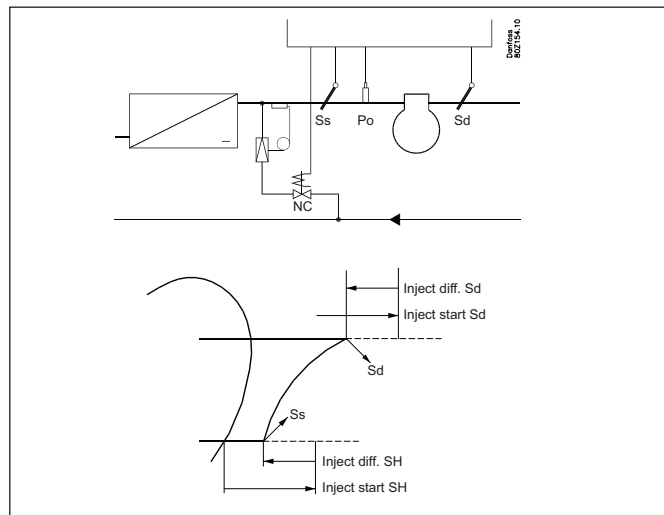
- T1) The last compressor is cut out
- T2) The suction pressure has increased to a value corresponding to  $P_o \text{ Ref} + \frac{1}{2} \text{ NZ} + 2 \text{ K}''$  but no compressor can start due to re-start timers or safety cut-out
- T3) The time delay "Injection OFF delay" elapses and the injection valves are forced to close via relay signal or via network signal
- T4) The first compressor is now ready to start. The forced closure signal via the network is now cancelled.
- T5) The time delay "Comp. Start delay" expires and the forced closure signal via the relay switch is cancelled simultaneously with the first compressor being allowed to start

The reason why the forced closure signal via the network is cancelled before the first compressor starts, is that it will take some time to distribute the signal to all appliance controllers via the network.



## Liquid injection in common suction line

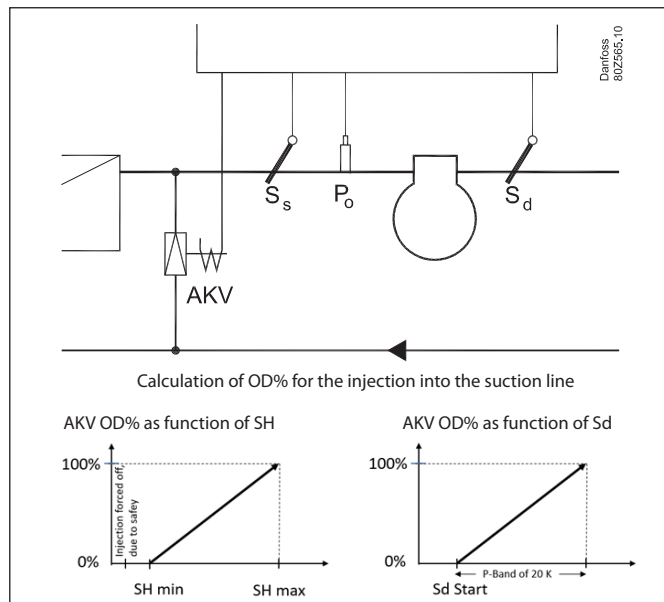
The discharge pressure gas temperature can be kept down by means of liquid injection into the suction line (not IT circuit). With a thermostatic expansion valve in series with a solenoid valve. The solenoid valve is connected to the controller.



Control can be carried out in two ways:

1. The liquid injection is exclusively controlled on the basis of the superheat in the suction line. Two values are set – a starting value and a differential where the injection is stopped again.
2. The liquid injection is both controlled by the superheat (as described above) and by discharge temperature  $S_d$ . Four values are set – two as mentioned above and two for the  $S_d$  function, a starting value and a differential. The liquid injection is started when both starting values have been passed, and is stopped again when just one of the two functions cuts out.

Direct using an electrically operated expansion valve of the type AKV



Four values are adjusted - a start value for the Sd temperature, min. and max. values for overheating and a period time for the AKV valve.

Actual used OD for the liquid injection is the highest of the two above (see above fig.)

The width of the P-Band for the Sd control is hardcoded to be 20K and cannot be changed.

The valve will be closed too, when all compressors are stopped.

**As a safety function the AKV valve will be closed anyway, as soon as the SH gets below 8K, to protect the compressors from getting liquid into the suction port.**

The pulse width modulating signal for the AKV valve shall be taken from one of the controller's four solid state outputs.

#### *Time delay*

A time delay can be set which ensures that the injection is delayed with the set value after start-up of the first compressor.

## Safety functions

### Signal from the compressor's safety controls

The controller can monitor the status of each compressor's safety circuit. The signal is taken directly from the safety circuit and connected to an input.

(The safety circuit must stop the compressor without involving the controller).

If the safety circuit is cut out, the controller will cut out all output relays for the compressor in question and give an alarm. Regulation will continue with the other compressors.

### Time delays with safety cut-out:

In connection with safety monitoring of a compressor it is possible to define two delay times:

*Cut-out delay time:* Delay time from signal from the safety circuit until the compressor relays cut out and alarm is given (note that the delay time is common to all security inlets for the compressor concerned)

*Safety re-start time:* The minimum time a compressor must be OK after a safety cut-out until it may start again.

### Monitoring of superheat

This function is an alarm function which continuously receives measured data from suction pressure P<sub>0</sub> and suction gas S<sub>s</sub>. If superheat is registered which is lower or higher than the set limit values, an alarm will be given when the time delay has passed.

### Monitoring of max. discharge gas temperature (S<sub>d</sub>)

#### Common S<sub>d</sub> monitoring

The function gradually cuts out compressor steps if the discharge temperature becomes higher than permitted. The cut-out limit can be defined in the range from 0 to +195°C.

The function is started at a value that is 10 K below the set value. At this point the entire condenser capacity is cut in at the same time as 25% of the compressor capacity is cut out (but minimum one step). This is repeated every 30 seconds. The alarm function is activated.

If the temperature rises to the set limit value all compressor steps are immediately cut out.

The alarm is cancelled and renewed cut-in of compressor steps is permitted when the following conditions are met:

- the temperature has dropped to 10 K below the limit value
- the time delay prior to restart has been passed (see later)

Normal condenser control is permitted again when the temperature has dropped to 10 K below the limit value.

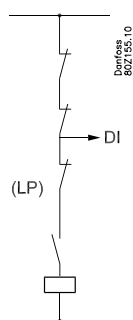
#### Individual S<sub>d</sub> monitoring

The affected compressor will be disconnected here when the temperature exceeds the threshold value.

- The piston compressor will be reconnected when the temperature has dropped 10 K
- The screw compressor will be reconnected when the temperature has dropped 20 K
- The capacity of compressors with variable capacity is increased if the temperature is approaching the limit. Once it has been cut out, it will only be connected when the temperature has dropped 10 K.

If signals are also obtained from the embedded NTC sensor, the disconnect value for this temperature will always remain at 130 °C and the reconnect value at 120 °C.

#### General safety circuit

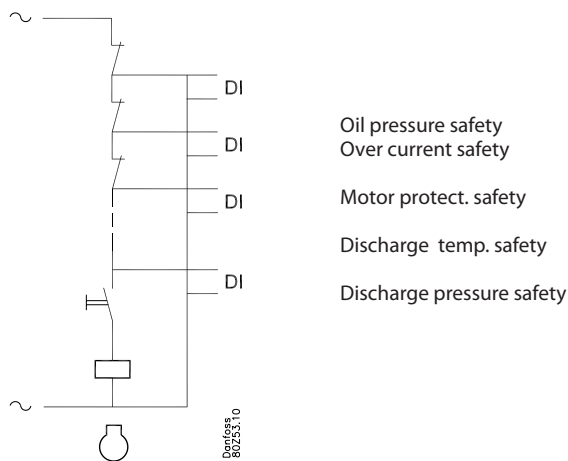


If a low-pressure switch is placed in the safety circuit it must be placed at the end of the circuit. It must not cut out the DI signals. (There is a risk that the regulation will become locked and that it will not start again). This also applies to the example below.

If an alarm is needed which also monitors the low-pressure thermostat, a "general alarm" can be defined (an alarm that does not affect the control). See the following section "General monitoring functions".

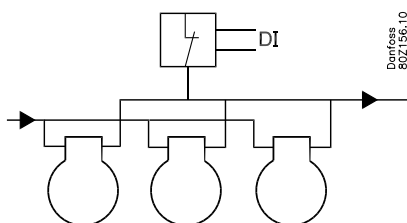
#### Extended safety circuit

Instead of a general monitoring of the safety circuit this monitoring function can be extended. In this way, a detailed alarm message is issued which tells you which part of the safety circuit has dropped out. The sequence of the safety circuit must be established as shown, but not all of them need necessarily be used.



#### Common safety circuit

A common safety signal can also be received from the whole suction group. All compressors will be cut out when the safety signal cuts out. The function may not be connected to an external main switch.





**Monitoring of min. suction pressure (P0)**

The function promptly cuts out all compressor steps if the suction pressure becomes lower than the permitted value.

The cut-out limit can be defined in the range from -120 to +30°C.

The suction is measured with pressure transmitter P0.

At cut-out the alarm function is activated:

The alarm is cancelled and renewed cut-in of compressor steps is permitted when the following conditions are met:

- the pressure (temperature) is above the cut-out limit
- the time delay has elapsed (see later).

**Monitoring of max. condensing pressure (Pc)**

The function cuts in all condenser steps and cuts out compressor steps one by one if the condensing pressure becomes higher than permitted. The cut-out limit is set in bar. The condensing pressure is measured with pressure transmitter Pc\_.

The function takes effect at a value which is 3 K below the set value. At this time the entire condenser capacity is cut in at the same time as 25% of the compressor capacity is cut out (but min. one step). This is repeated every 30 seconds. The alarm function is activated.

If the temperature (pressure) rises to the set limit value, the following will happen:

- all compressor steps will immediately be cut out
- the condenser capacity will remain cut in

The alarm will be cancelled and renewed cut-in of compressor steps is permitted when the following conditions are met:

- the temperature (pressure) falls to 3 K below the limit value
- the time delay for restart has been passed

**Delay of Pc max alarms**

It is possible to delay the "Pc max alarm" message.

The controller will still disconnect the compressors, but the sending of the alarm itself is delayed.

The delay is useful on cascade systems where the max. Pc limit is used to disconnect compressors in the low-pressure circuit if the high-pressure compressors have not started.

**Time delay**

There is a joint time delay for "Monitoring of max. discharge gas temperature" and "Min. suction pressure".

After a cut-out, regulation cannot be recommenced until the time delay has been passed.

The time delay starts when the Sd temperature has again dropped to 10 K below the limit value or P0 has risen above the P0 min. value.

**Alarm for too high suction pressure**

An alarm limit can be set which will become effective when the suction pressure becomes too high. An alarm will be transmitted when the set time delay has been passed. The regulation continues unchanged.

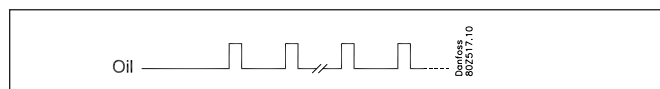
**Monitoring max. receiver pressure**

If the receiver pressure is approaching the max. value, the compressors will be cut out as described under 'Monitoring max. condenser pressure'. An alarm will be transmitted when this limit is exceeded.

## Oil management

### Principle

The controller can control the pressure in an oil receiver and ensure the evacuation of two oil separators. The evacuation is carried out with a number of pulses, e.g. of 1 second duration followed by a pause of 1 minute.

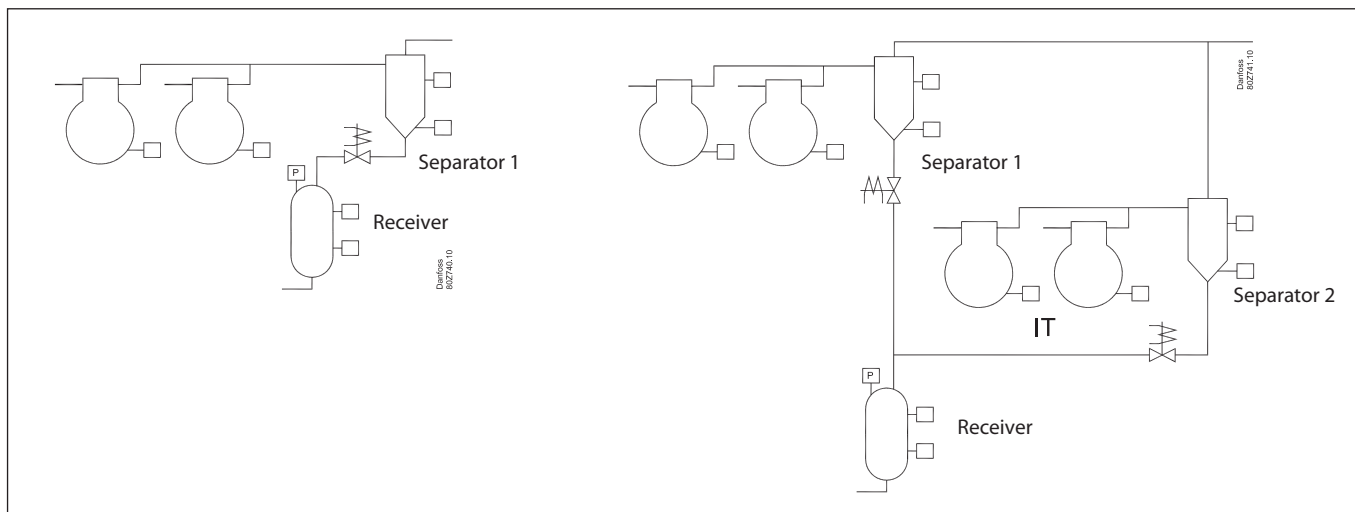


The system can be controlled by signal from:

- Level switch on oil separator
- Pressure transmitter on oil receiver

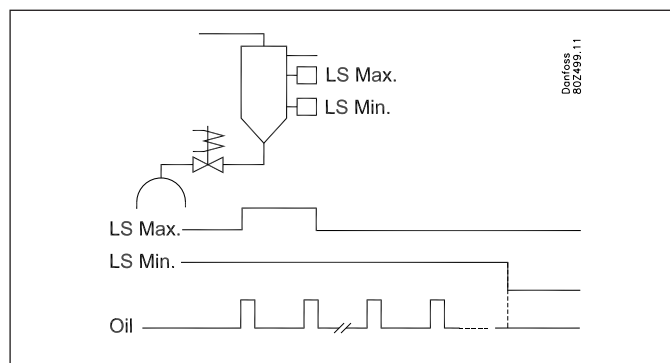
All oil valves are closed when "Main switch" is Off.

Examples of oil circuits:





### Control principle for emptying the oil separator in the receiver



The system can then be controlled by signal(s) from one or two-level switches:

- One-level switch:
  - Full sequence. When the level switch registers oil, the oil is emptied over in the receiver in a user-defined pulse sequence. The system determines the pulse length, period time between pulses and number of pulses
  - To level. Here a user-defined pulse sequence starts, but the sequence stops immediately once the oil level falls below the level switch
- Two-level switches:
  - Here, the high-level switch will start the pulse sequence, and the low-level switch will stop the pulse sequence.

If the high level switch is still registering oil after the total number of pulses has finished, an alarm is given for high oil level in the separator.

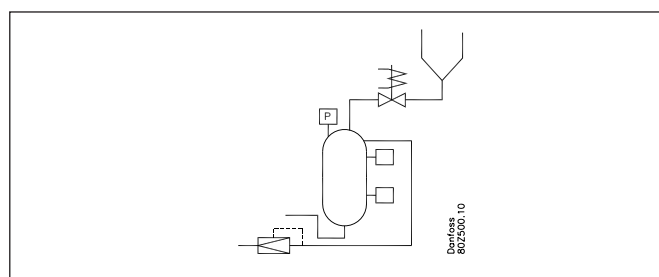
If the low level switch is still registering oil after the total number of pulses is finished, an alarm is given for remaining oil in the separator.

An alarm for signal failure is also given if the high level switch registers oil while a low level switch does not register oil.

If either the high or low level switch is activated in the set time interval, a "no oil separated" alarm is given.

### Control principle for pressure in the receiver

#### Pressostat



#### Principle

In the case of lack of pressure difference to fill the MT compressors, the solenoid valve is opened in user defined pulses and the pressure is taken from the oil separator. The pulse length and the period time between the pulses is determined by the system and are the same as those set for the oil separator.

#### Regulation acc. to pressure

When the pressure transmitter registers the required pressure, the pulses are stopped.

#### Structure according to time

Here, the controller uses a timer function to determine the pressure build-up in the receiver. There is no regulation.

#### Differential pressure

Here, regulation is performed based on the receiver pressure and the pressure in the CO<sub>2</sub> receiver (Prec). The controller will regulate in accordance with the desired differential pressure.

#### Monitoring

High and low level signals can be received from the receiver. These signals are only used for monitoring and alarms.

## Condenser / Gas cooler

### Principle

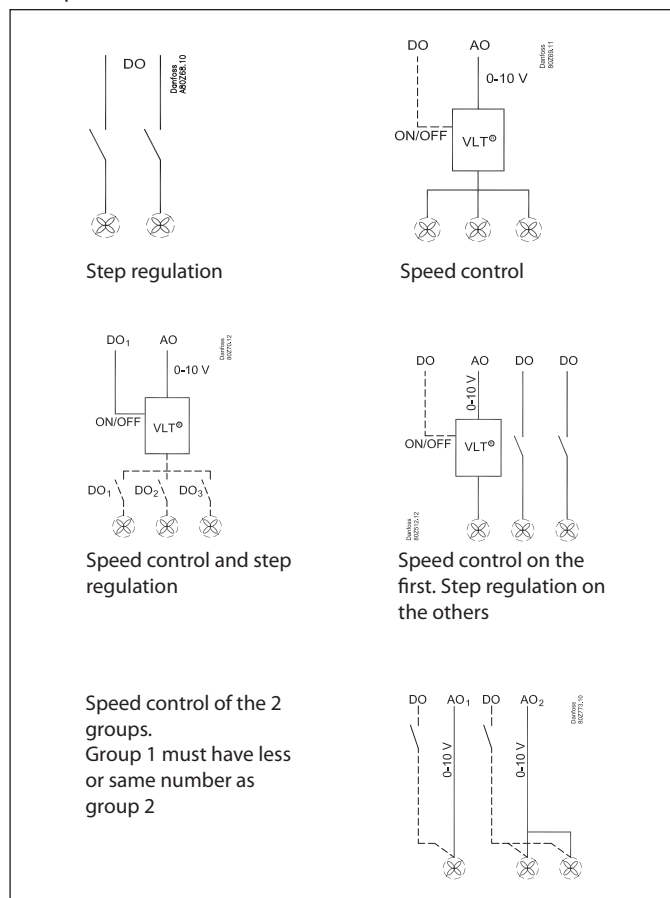
The condenser in a transcritical CO<sub>2</sub> system is also called a gas cooler. Unlike in an HFC system, sub-cooling is not controlled by a condenser, but by the high-pressure valve Vhp.

The gas cooler control must regulate the temperature in the gas cooler's discharge, so that it has the lowest possible value and the energy consumption of the fans is minimal. However, this should not be so low as to prevent the receiver pressure from being maintained.

Capacity control of the condenser (gas cooler) can be accomplished via step regulation or speed control of the fans.

- EC motors  
An analogue output signal is used here, which controls the fans from 0 to maximum capacity.
- Step regulation  
The controller can control up to 8 condenser steps that are cut in and out sequentially.
- Speed control  
The analogue output voltage is connected to a speed control. All fans will now be controlled from 0 to max. capacity. If an ON/OFF signal is required it can be obtained from a relay output. Regulation can be carried out based on one of the following principles:
  - all fans operate at the same speed
  - Only the necessary number of fans is cut in.
- Combination of speed regulated and the step regulation.

Example:



## Capacity control of condenser

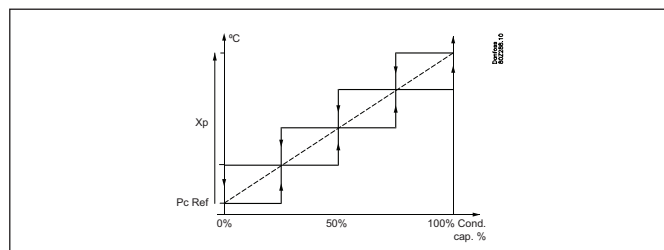
The cut-in condenser capacity is controlled by the condenser pressure's actual value and depends on whether the pressure is rising or falling. Regulation is performed by a PI controller which may however be changed into a P controller if the design of the plant necessitates this.

### PI regulation

The controller cuts in capacity in such a way that the deviation between the actual condensing pressure and the reference value becomes as small as possible.

### P regulation

The controller cuts in capacity that depends on the deviation between the actual condensing pressure and the reference value. The proportional band  $X_p$  indicates the deviation. The adjustments are carried out using amplification factor  $K_p$ , where  $X_p = 100/K_p$ .



### Regulating sensor selection

The capacity distributor can either regulate from a temperature sensor,  $S_{gc}$ , placed at the outlet of the gas cooler or based on a medium temperature,  $S_7$ .

Cap. Ctrl sensor =  $S_{gc} / S_7$

If the regulation sensor is selected for medium temperature  $S_7$ , then  $P_c$  is still used as the safety function for high condenser pressure and will therefore ensure cut-out of the compressor capacity when condenser pressure is too high.

### Handling sensor errors on $S_{gc}$ and $S_7$ :

In case of sensor error, the fans switch to emergency operation. The fans are then controlled according to the compressor capacity and  $Sc_3$ , if this is installed.

## Reference for condensing pressure

The reference for the regulation can be defined in two ways. Either as a fixed reference or as a reference that varies according to the outdoor temperature.

### Fixed reference

The reference for the condensing pressure is set in °C.

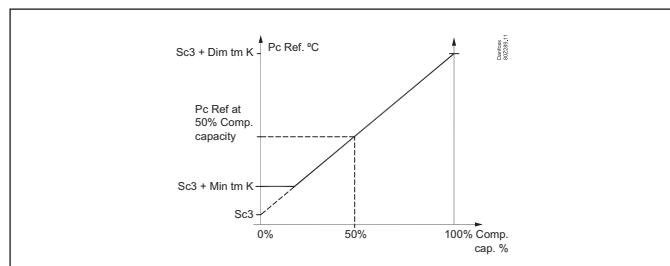
### Floating reference (recommended)

This function allows the condensing pressure's reference value to vary within a defined range. The reference varies according to the outdoor temperature and the connected compressor capacity. By combining floating condensing pressure with electronic expansion valves, a lot of energy saving can be achieved. The electronic expansion valves enable the controller to decrease the condensing pressure according to outdoor temperature and thereby reduce energy consumption by around 2% for each degree the temperature can be decreased.

The measured outdoor temperature is also used by the controller to optimise the regulation algorithm. The function can be compared to a variable  $K_p$  value, which is higher during warm periods and lower during cold periods. There is no setting.

The reference is based on:

- the outdoor temperature measured with Sc3 sensor
- the minimum temperature difference between the air temperature and the condensing temperature at 0% compressor capacity.
- the condenser's dimensioned temperature difference between the air temperature and the condensing temperature at 100% compressor capacity (Dim tmK)
- how large a part of the compressor capacity has been cut in.

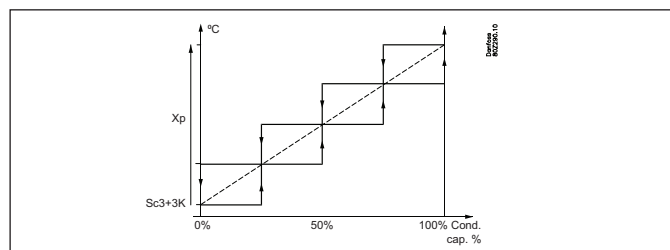


The minimum temperature difference (min tm) at low load should be set at approximately 2 K as this will eliminate the risk that all fans will be running when no compressors are running. Set the dimensioned difference (dim tm) at max. load (e.g. 4 K).

The controller will now contribute with a value to the reference which depends on how large a part of the compressor capacity has been cut in.

### P-regulation

The reference is calculated as for PI regulation. The set-up is carried out using the amplification factor  $K_p$  ( $X_p = 100/K_p$ ).



### Max gas cooler temperature

Set a max. gas cooler temperature if it needs to be limited. If the max. limit is reached, the fans will increase speed to the max. fan speed.

### Forced operation of condenser capacity

Forced operation of the capacity can be arranged where the normal regulation is ignored.

The safety functions are cancelled during forced operation.

#### Forced operation via setting

The regulation is set to Manual.

The capacity is set in percentage of the regulated capacity.

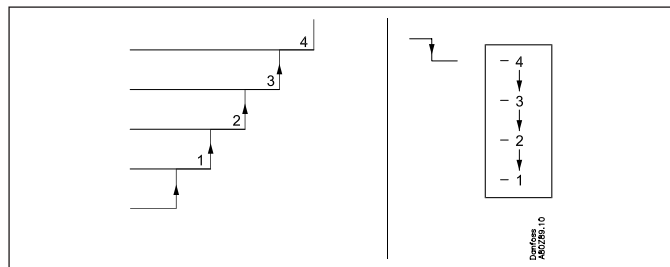
#### Forced operation of relays

If the forced operation is carried out with the switches at the front of an extension module, the safety function will register any exceeding of values and transmit alarms, if required, but the controller cannot cut the relays in or out in this situation.

## Capacity distribution

### Step regulation

Cut-ins and cut-outs are carried out sequentially. The last cut-in unit will be cut out first.

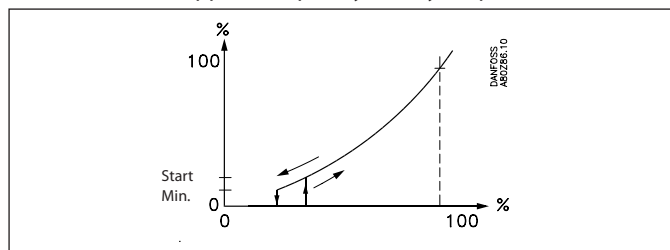


### Speed regulation

When an analogue output is used, the fans can be speed regulated, e.g. with a frequency converter type VLT or a EC motor.

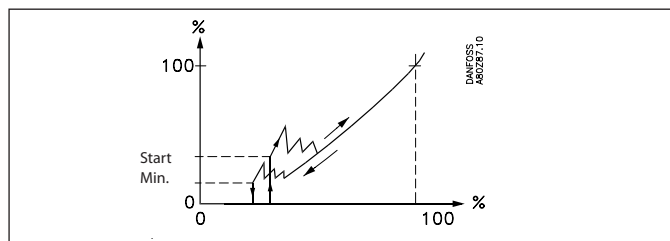
### Joint speed regulation

The analogue output voltage is connected to the speed regulation. All fans will now be regulated from 0 to max. capacity. If an ON/OFF signal is required for the frequency converter, so that the fans can be stopped completely, a relay output can be defined.



The controller starts the frequency converter when the capacity requirement corresponds to the set starting speed. The controller stops the frequency converter when the capacity requirement becomes lower than the set minimum speed.

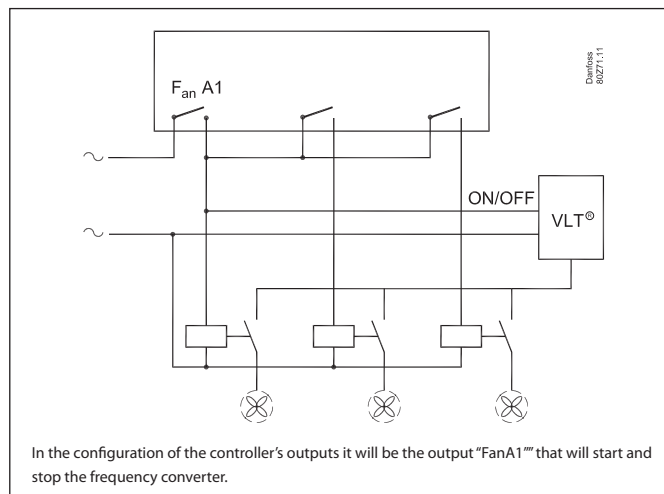
### Speed regulation + step regulation



The controller starts the frequency converter and the first fan when the capacity requirement corresponds to the set starting speed.

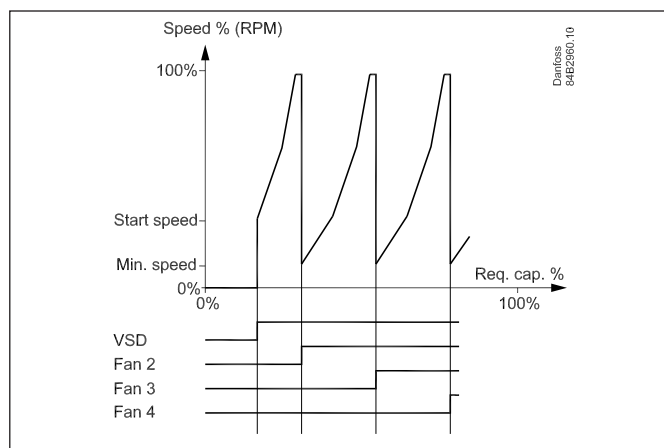
The controller cuts in several fans step by step as the capacity requirement grows and then adapts the speed to the new situation.

The controller cuts out fans when the capacity requirement becomes lower than the set minimum speed.



In the configuration of the controller's outputs it will be the output "FanA1" that will start and stop the frequency converter.

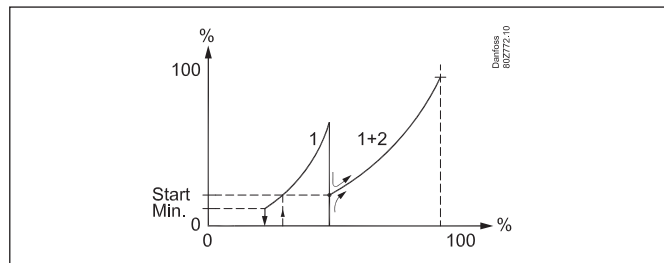
### Speed regulation of first fan + step regulation of the rest



The controller starts the frequency converter and increases the speed of the first fan.

If additional capacity is required, the next fan cuts in at the same time as the first fan switches to minimum speed. From here, the first fan can increase speed again, etc.

### Speed regulation for fans divided into 2 groups



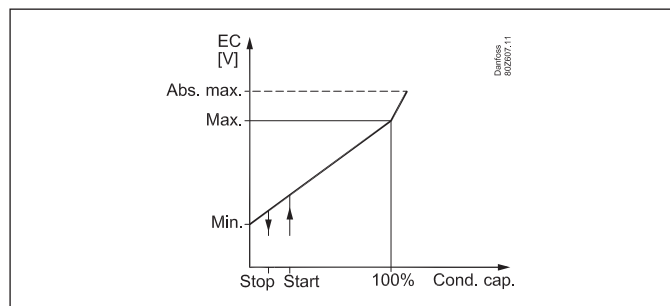
At low loads, only group 1 will be cut in. When the load increases and a calculated start value for group 2 is exceeded, group 2 will be started.

When group 2 is cut in, the speed will be the same for both groups. The number of fans in the two groups can be the same, but if there is a difference, group 1 must be smaller.

### EC Motor

The voltage signal to the EC motor is defined by the following settings:

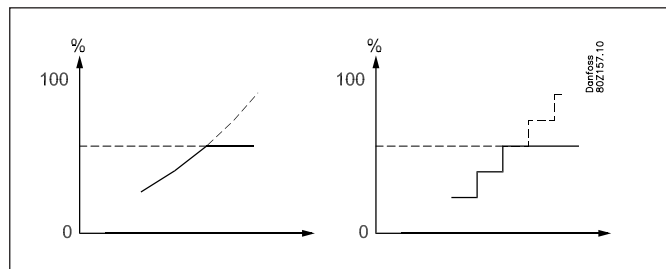
- EC min. (typically 20% corresponding to 2 V at 0-10 volt signal)
- EC max. (typically 80% corresponding to 8 V at 0-10 volt signal)
- EC absolute max. (typically 100% corresponding to 10 V)



If the Sgc temperature exceeds the defined "Absolute Max Sgc temperature", the output voltage will be increased to the EC absolute maximum value.

### Capacity limitation during night operation

The function is used to reduce the noise from the fans to a minimum. It is primarily used in conjunction with a speed control, but it will also be active when steps are cut in and out. The setting is arranged as a percentage of the max. capacity.



The limitation will be disregarded when safety functions Sd max. and Pc max. take effect.

## Condenser couplings

### Coupling of condenser steps

There are no time delays in connection with cut-in and cut-out of condenser steps beyond the time delay inherent in the PI/P-regulation.

### Timer

The operating time of a fan motor is registered continuously. You can read out:

- operating time for the previous 24-hour period
- total operating time since the timer was last set to zero-set

### Coupling counter

The number of couplings is registered continuously. Here the number of starts can be read out:

- number during the previous 24-hour period
- total number since the counter was last set to zero-set

### Exercising fans

The last fans are unlikely to be activated during winter months. To ensure that the fans are 'exercised', a test will be carried out every 24 hours to check whether all relays have been in operation. The relays that have not been used will now be activated for 5 sec. (from 13:00) but with a pause of 5 min. hour between individual relays. A speed control is run at "Start speed".

## Safety functions for condenser

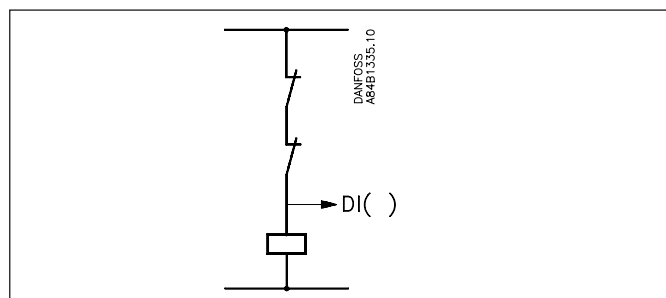
### Signal from fan and frequency converter's safety controls

The controller can receive signals on the status of each individual condenser step's safety circuit.

The signal is obtained directly from the safety circuit and connected to a "DI" input.

If the safety circuit is cut out, the controller will give alarm. Regulation continues with the remaining steps.

The ancillary relay outlet is not cut out. The reason for this is that the fans are often connected in pairs but with one safety circuit. With fault on one of the fans, the other will continue to operate.



## CO<sub>2</sub> transcritical system and heat recovery

### General

In CO<sub>2</sub> systems, the higher pressure and temperature makes it possible to recover heat for tap water and heating. The excess heat is removed using a gas cooler.

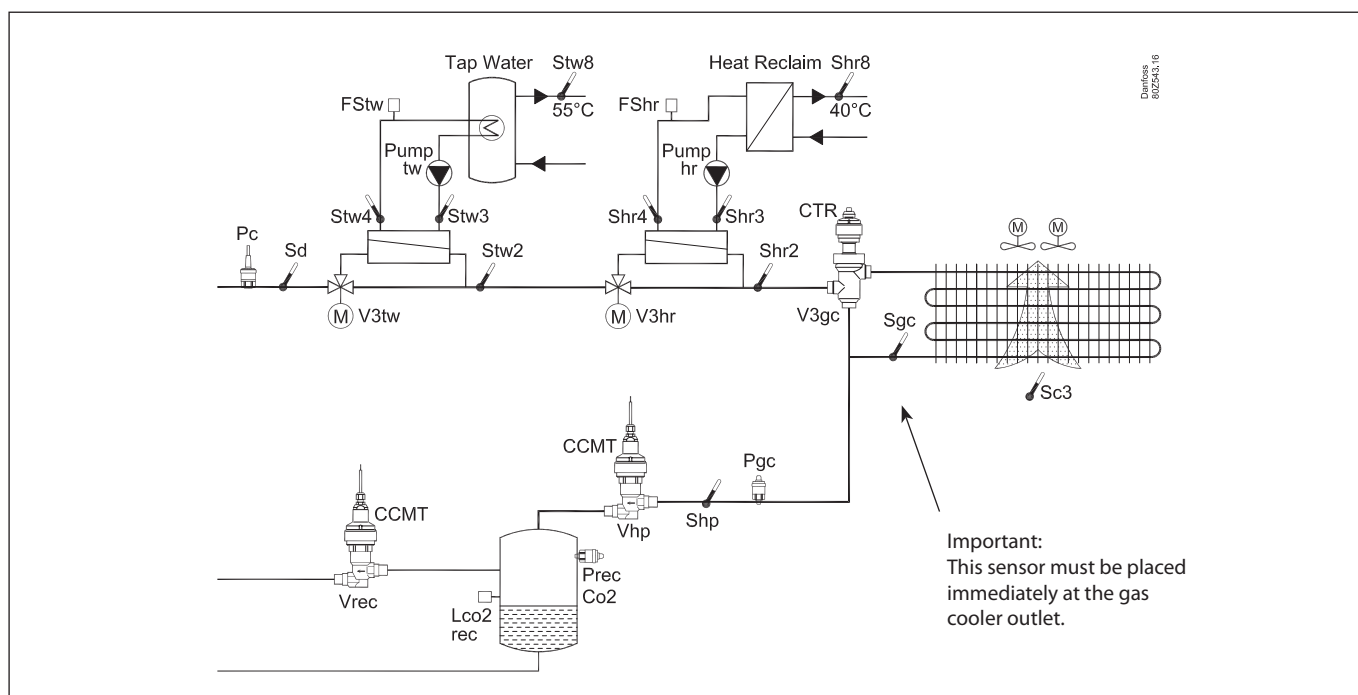
Regulation is carried out during transcritical and subcritical states and the controller will control the gas pressure/condensing pressure so that the system achieves the optimum COP when the recovered heat is taken into account.

The regulation of the heat recovery circuits is done with regard to the cooling system. In the event of conflict, the safety situation is that the cooling system has higher priority than the recovery circuits.

The two heat recovery circuits can be considered as independent circuits - also with regard to the cooling system.

First, the circuit for hot tap water will take the energy it needs to use. The remaining energy is then available for use by the next circuit. This also takes what is available. If there is then any excess energy this is removed via the gas cooler.

There must be a cooling requirement in order to supply for heat recovery.



### Info

In normal operating conditions, the temperature at Sd will be between 60 and 70 °C - depending on whether it is winter or summer.

If the "Heat reclaim" function is to raise the condensing pressure, the temperature may increase to 90° or higher.

The Sc3 sensor should be positioned so that it measures the air intake temperature for the gas cooler. If it measures a temperature that is too high, the system's COP will become impaired.

The Sgc signal must be stable. If this cannot be done using a system sensor, it may be necessary to use an immersion tube sensor.

### Remember the isolation amplifier

If signals are received from different controls, e.g. heat recovery for one of the inputs, a galvanically insulated module should be inserted.

There are safety functions for the individual regulation functions, for example:

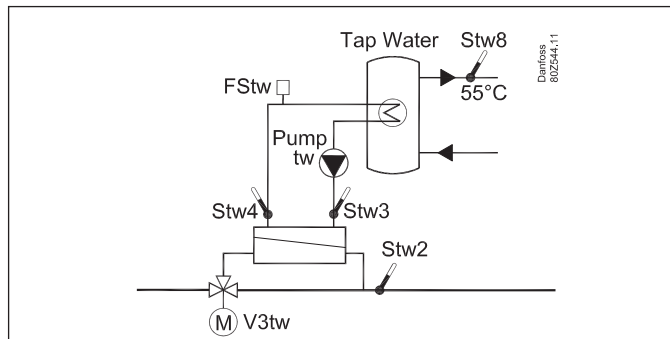
- Boiling at S3, S4 and S8
- An S3 temperature must be lower than the gas temperature that can be sent into the heat exchanger. If the S3 temperature is higher, the circuit is not connected.

The pump is kept running for a little while before and after the gas valves connect. It can take up to 2 minutes for the gas valve to change position.

## Circuit for heat recovery or hot tap water

### Application

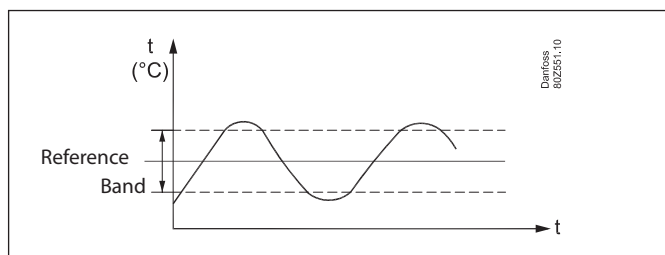
This regulation makes it possible to supply hot gas for heating a receiver vessel.



### Reference

Regulation is done for a tap water temperature of typically 55°C, where the value is adjustable. A temperature sensor Stw8 is installed in the hot water receiver, and the temperature is held in a band around the adjusted value.

If Stw8 or Stw4 is selected as the controller sensor, the reference can be displaced based on an external 0-10 V signal. 0 V result in no displacement. 10 V result in a displacement indicated by the set value.



### Valve - V3tw

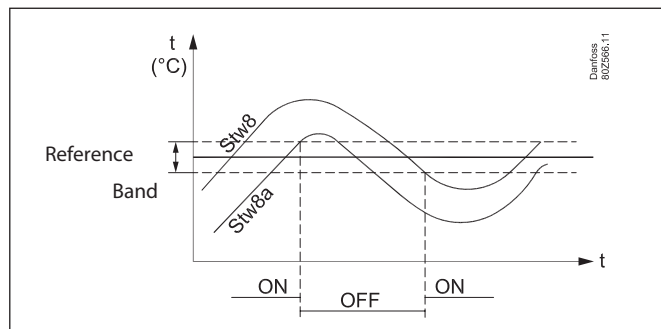
When tap water heating is required, the gas valve changes over and routes the gas in through the heat exchanger.

When the temperature goes above the reference plus half the band, the gas will be routed outside of the heat exchanger.

### Regulation

Regulation can be done using one of the following principles:

- Only Stw8. The temperature here is regulated using an on/off thermostat. The pump can be controlled on/off or variably
- Only Stw4. The temperature is regulated using an on/off thermostat. The pump has to be variably controlled.
- Stw4 - Stw3. Here "Delta T" over the heat exchanger is used for regulation. Here the pump must be controlled using variable speed. When the Stw8 temperature has been achieved, the gas is routed outside of the heat exchanger (with a Delta T controller, the reference cannot be displaced using an external signal).
- Stw8 and Stw8a. Here regulation is done using the two temperature sensors in the receiver. Stw8 is placed at the top and Stw8a further down.



The pump is controlled via on/off and is connected when Stw8 is below the reference plus half the difference. It is disconnected when Stw8a is above the reference plus half the difference.

### The pump - Pump tw

It is recommended to use a pump with variable speed, so that the regulation flows and does not display great fluctuations in the condensing pressure.

### Flow switch - FStw

A flow switch should be installed for safety reasons, in case of pump failure. The controller will then disconnect the entire recovery circuit.

### Sensors - Stw2, Stw3, Stw4 and Stw8

All sensors must be installed due to safety reasons:

- Stw2: The controller must know the temperature of the gas that is sent for condensation
- Stw3: Heat exchanger cold access. Used for temperature regulation
- Stw4: Heat exchanger hot outlet. Used for temperature regulation
- Stw8: Receiver temperature and in relation to the reference

## Circuit for recovery for heating

### Application

This regulation can only be carried out when the selected refrigerant is CO<sub>2</sub>, which makes it possible to supply hot gas for heating a receiver vessel.

Regulation can be carried out using one of the following three principles, when the circuit calls for heat:

1. Basic control (no HP offset).
2. Offset of the condensing pressure (HP offset)
3. Offset and regulation of the gas cooler and pump (max. hr)

### Generally, for all three principles:

#### Valve - V3hr

When heating of the circuit is required, the gas valve will change over and route the gas in through the heat exchanger.

When the temperature goes above the reference plus half the band, the gas will be routed outside of the heat exchanger.

#### Pump - Pump hr

It is recommended to use a pump with variable speed, so that the regulation flows and does not display great fluctuations in the condensation pressure.

#### Flow switch - FShr

A flow switch should be installed for safety reasons, in case of pump failure. The controller will then disconnect the entire recovery circuit.

#### Sensors - Shr2, Shr3, Shr4 and Shr8 (Stw2/Sd)

All sensors must be installed due to safety reasons:

Shr2: The controller must know the temperature of the gas that is sent for condensation

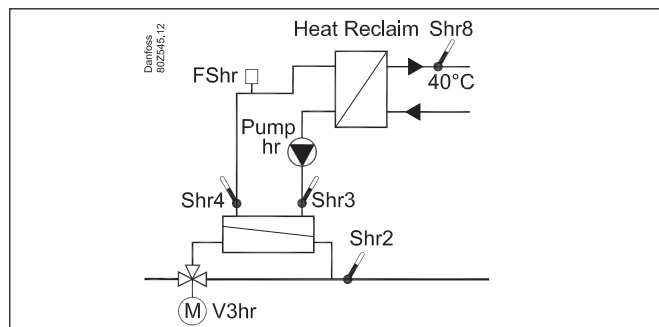
Shr3: Heat exchanger cold access. Used for temperature regulation

Shr4: Heat exchanger hot outlet. Used for temperature regulation

Shr8: Receiver temperature and in relation to the reference

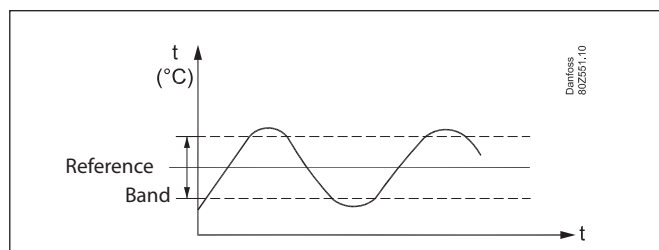
Stw2 or Sd: The regulation must know the temperature of the gas that is sent into the heat exchanger.

### 1. Basic control (no HP offset)



### Reference

Regulation is done using a receiver temperature of e.g. 40°C, the value is adjustable. A temperature sensor Shr8 is installed in the receiver, and the temperature is maintained in a band around the selected value.



When the temperature goes above the reference plus half the band, the gas will be routed outside of the heat exchanger. The reference can be displaced variably using an external 0-10 V signal. 0 V result in no displacement. 10 V result in a displacement indicated by the set value.

### Regulation

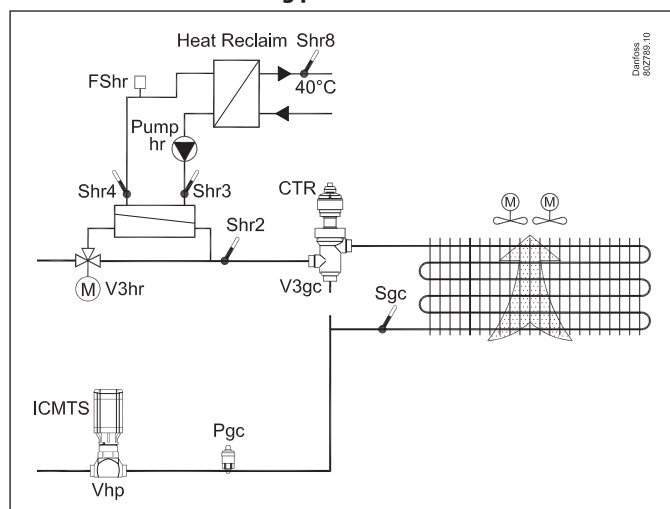
The following can be used as a regulation sensor:

- Shr8
- Shr4
- Delta T via heat exchanger (Shr4-Shr3) of e.g. 4K, but still using Shr8 as a reference.

The pump can be controlled on/off or variably. For Shr4 or DeltaT regulation it must be controlled variably. During variable operation the pump will stop when the regulation desires a lower capacity than the selected min. speed capacity for the pump.

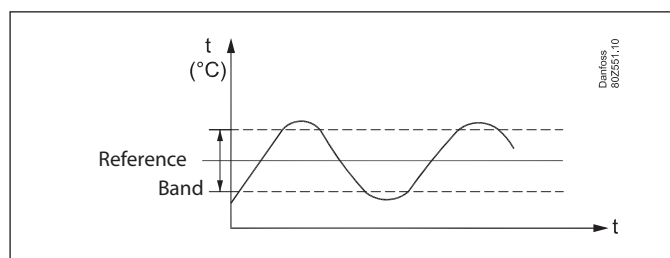


## 2. Offset of the condensing pressure



### Reference

Regulation is done using a heat exchanger temperature/receiver temperature of e.g. 40°C, the value is adjustable. A temperature sensor Shr is installed in the receiver and the temperature is maintained in a band around the selected value.



When the temperature goes above the reference plus the half band, the gas is routed around the heat exchanger. The reference can be displaced variably using an external 0-10 V signal. 0 V result in no displacement. 10 V result in a displacement indicated by the set value.

### Regulation

The following can be used as a regulation sensor:

- Shr8
- Shr4
- Delta T via the heat exchanger (Shr4-Shr3) of e.g. 4K, but still using Shr8 as the thermostat sensor.

The pump can be controlled on/off or variably. For Shr4 or DeltaT regulation it **must** be variably controlled. During variable operation the pump will stop when the regulation request a lower capacity than the selected min. speed capacity for the pump.

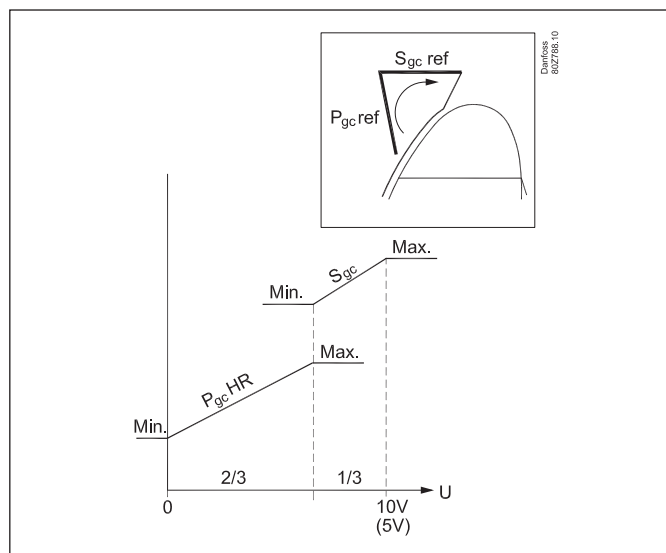
The V3gc valve type is not included in this regulation. All gas is led through the gas cooler.

## Increasing the condensing pressure and temperature

When the temperature is below the reference and heat recovery is carried out, the condensation pressure and temperature may be increased.

The pressure is measured using the pressure transmitter Pgc and the controller at the valve Vhp.

How much the pressure and the temperature shall be increased by is determined using a setting and an analogue voltage signal. The signal must be a 0-10 V signal or a 0-5 V signal.



When heat recovery is activated (with a digital signal), the gas cooler pressure is increased to "Pgc HR min". At 2/3 signal (e.g. 6.6 V) the pressure will increase to the setting "Pgc HR max".

At max. signal (e.g. 10 V) the Sgc temperature will increase to max. (Min. Sgc is calculated by the controller based on the receiver pressure reference that has been set).

Up to 5 signals can be received from external regulations. They can all increase the pressure, and the controller will use the signal that requires the largest offset. The signal employed is filtered over a time period. The length of the period can be set.

### Relay output

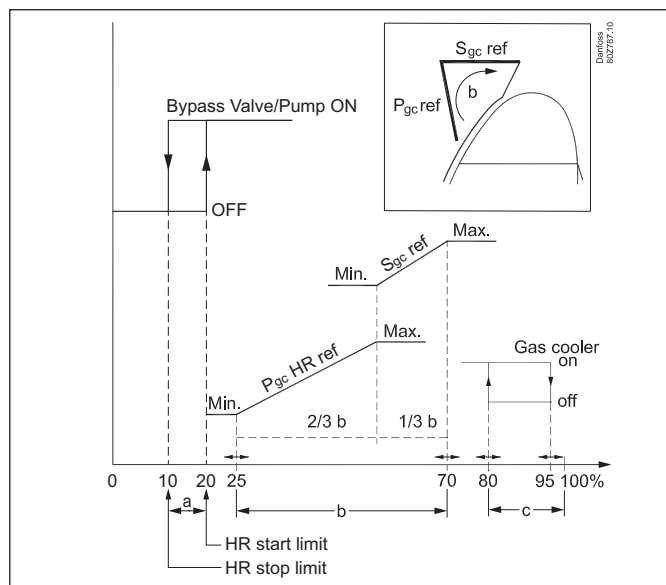
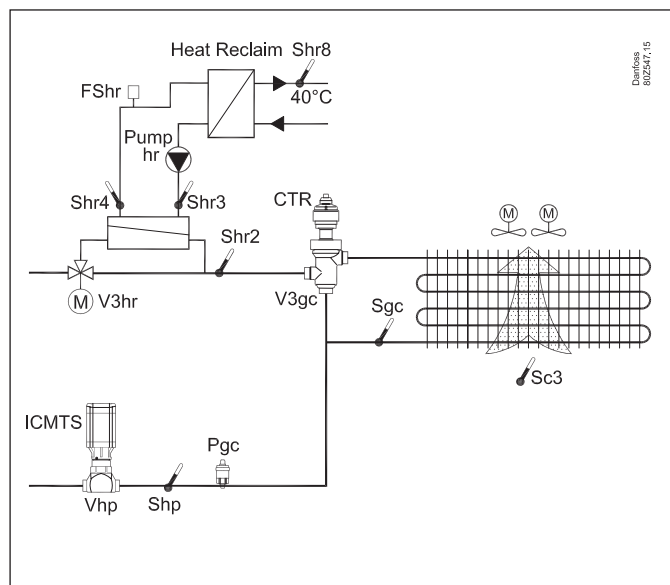
A relay can be reserved that will pull in if the received signal exceeds 9.5 V (4.75 V) for more than 10 minutes.

The relay is defined in the function: "Additional heat output".

### Remember the isolation amplifier

If signals are received from different controls, e.g. heat recovery for one of the inputs, a galvanically insulated module should be inserted.

### 3. Offset and regulation of the gas cooler and pump (max. heat recovery)



#### Reference

In the "Max heat recovery mode" the regulation is solely based upon the external heat request (consumer request) on an analogue input and a start signal on a digital input. Note, there is no active thermostat control for the heat recovery mode. To prevent any boiling in the system, the heat recovery will be stopped, as soon as any of the Shr3, Shr4 or Shr8 temperatures are above 95 °C.

#### Speed regulation of the pump

One of the following options can be used as the control sensor for regulating the pump speed:

- Shr8
- Shr4
- Delta T via heat exchanger (Shr4-Shr3) of e.g. 4K. (With a Delta T controller, the reference cannot be displaced using an external signal.)

The pump speed will be determined based on the deviation between the setpoint and the actual temperature ( using one of the above mentioned control sensors).

If a fixed speed pump is used, the start/stop of the pump is controlled based on the heat request signal.

#### Increasing the condensation pressure

Up to 5 different signals can be received from external heat consumers. The controller will use the signal that requires the highest capacity. The resulting signal is filtered over a time period. The filter time is adjustable (Heat consumer filter). An external heat controller will send a heat request signal between 0 and 10 V (0-5 V), which will be used to start the following functions in order to achieve maximum heat recovery:

1. Signal on DI input for heat recovery is received (mandatory, to enable the function) and the reference for the pressure Pgc is increased to "Pgc HR min."
2. The external voltage signal is registered (the higher the value, the greater the need for heat). The signal is converted by the controller to 0-100% capacity and will have the following impact:
  - a. ON/OFF control of pump and bypass valve V3hr  
The pump is released to start, when the request signal reaches the "HR start limit" and the bypass valve V3hr opens for the heat recovery. The pump and valve will be stopped at "HR stop limit"

#### b. Pressure and temperature increase

The pressure is measured with the pressure transmitter Pgc and controlled with the High pressure valve Vhp. Depending on the Heat request, the pressure reference "Pgc HR ref" will be raised from "Pgc HR min" to "Pg HR max". After reaching the max reference, the reference for the gas cooler temperature "Sgc ref" is raised from "Sgc min" to "Sgc max". The consequence of the increased gas cooler reference is a decrease in the fan speed. (Min. Sgc is calculated by the controller based on the receiver pressure reference that has been set).

c1. If V3gc is modulating: The controller controls the fans and the valve, to maintain energy optimized control (bypassing of the gas cooler will only be allowed when the fans are at 0% and vice versa).

c2. If V3gc is set to an on/off valve (see illustration): the fans will be stopped and the valve V3gc routes the gas outside the gas cooler.

See the description on bypassing gas coolers in the following section, 'Controlling gas pressure'. The "Heat recovery status" picture shows the current regulation status.

#### Relay output (additional heat output)

A relay can be reserved that will pull in if the received signal exceeds 9.5 V (4.75 V) for more than 10 minutes. The relay will be cut out when the signal is lower than 9.3 V (4.65 V). The relay is defined in the function: "Additional heat output", and can be used to start e.g. a heat pump evaporator.

**Start conditions**

The following conditions must be fulfilled in order to start the heat reclaim function:

1. External Heat request via the digital input
2. Pump Control mode is set to "Auto"
3. At least one MT compressor must have been running for at least 2 minutes
4. "Sd MT" or "Stw2" (if tap water reclaim is active) must be higher than Shr3 brine temp.  
If "Control signal" = "S8" or "S4", then "Sd must be higher than (Shr3 + 1K)  
If "Control signal" = "Shr4 - Shr3", then "Sd must be higher than (Shr3 + Delta T)
5. Shr2 is higher than "TC HR max" (default 27 °C)
6. All sensors are OK
7. The "Anti boiling" is not active

When all conditions are fulfilled, the following start sequence will be carried out:

1. The pump will be started, when the Heat request is higher than "HR start limit" (if not already running)
2. The flow switch will report "Flow OK", if mounted
3. The bypass valve will switch position and the discharge gas will be looped through the heat exchanger

**Stop conditions**

The heat recovery will be stopped at one of the following conditions:

1. The external heat request signal on the DI is stopped
2. The analogue heat request signal goes below "HR stop limit"
3. The "Pump control mode" is set to OFF
4. Last MT compressor stops
5. The "Sd MT" discharge temperature is below the "Shr3" temperature
6. The "Shr2" is lower than the set saturated temperatures of the set minimum gas cooler pressure limit "TC HR min" (default 27 °C)
7. Anti-boiling safety is active
8. One or more of the relevant sensors are defective

When one of the stop conditions is active, the following stop sequence will be initiated:

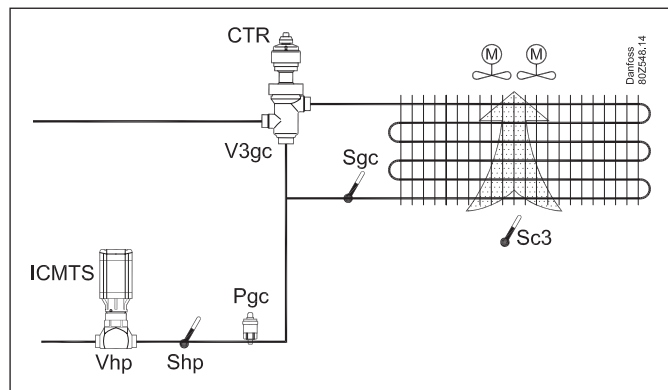
1. The three way valve V3hr will switch position and bypass the gas
2. The pump will continue to run 240 sec. in order to remove the excessive heat in the heat exchanger. If a new heat request arises within the 240 sec., the pump will keep running.

## Circuits for control of CO<sub>2</sub> gas pressure

### Application

The controller regulates the pressure in the gas cooler (condenser) so that the system achieves the optimal COP.

The controller will always optimise to a subcritical state.



The pressure in the gas cooler is controlled by the Vhp valve. Instead of an ICMTS valve, an injector or a CCMT valve with stepper motor can be used.

Regulation must have inputs from both a pressure transmitter Pgc and a temperature sensor Sgc. Both must be fitted in the outlet immediately after the gas cooler. If the gas can be routed outside of the gas cooler, an Shp sensor **must** be installed. Should the Shp sensor record too high a temperature, the gases will be routed through the gas cooler once again.

The valve's opening degree can be restricted both at the closing point and in the entire open point.

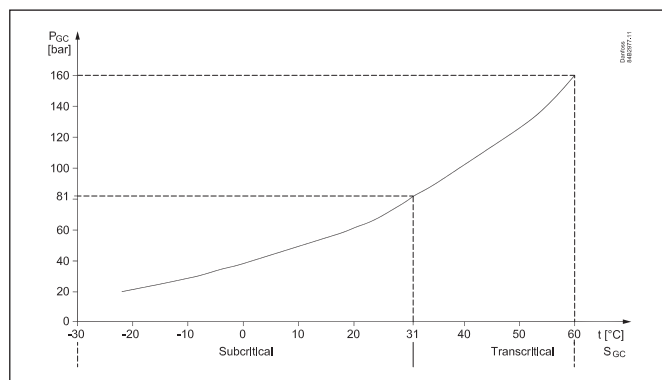
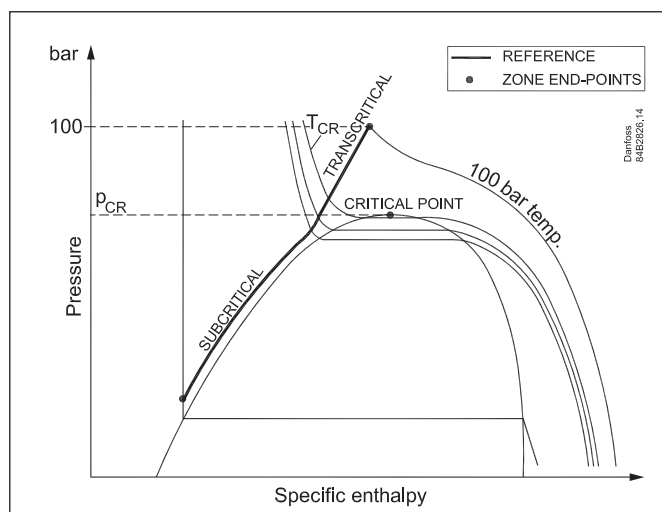
The settings OD Min. and OD max. are adjusted as % of the opening degree and will restrict the voltage signal for the valve.

In applications with very low outdoor temperatures, the OD min. setting is used to prevent the accumulation of cold liquid in the gas cooler.

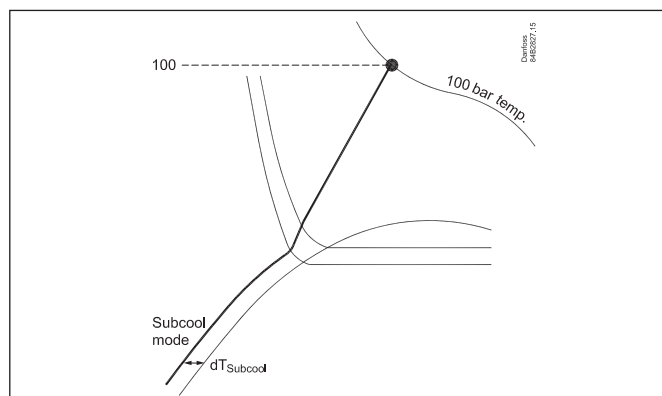
### Maximum COP control

During normal operation without override, the controller will maintain the optimum pressure in the transcritical area.

### Overview



### Reference curve



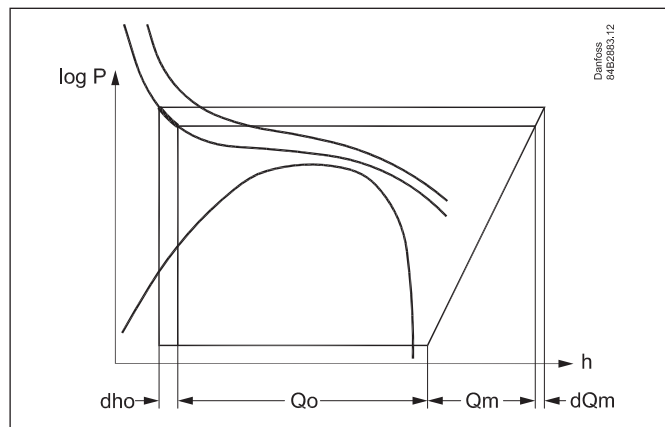
The controller is pre-programmed to follow the optimal COP from the pressure/enthalpy chart. The top point is defined at 100 bar, 39 °C. (Optimal theoretical COP is achieved at the curve that passes through 100 bar and 39 °C. The point of intersection can be changed by setting a value other than the default). Regulation will now follow the set reference curve, but will never go above the set permitted max. pressure for the gas cooler. The current reference can be read from the controller's overview screen.

### Sub-cooling

It is also possible to configure the sub-cooling in the sub-critical area.

**Extra refrigeration capacity (“extra compressor”)**

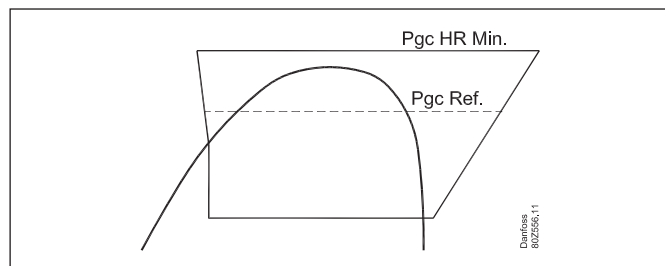
This function improves the system’s refrigeration capacity by increasing the pressure in the gas cooler. The function will start when the compressor capacity has been at 100% for 5 minutes. The cooling performance increases to  $Q_0 + dh_0$ .



The function also increases the load on the compressor motor as pressure increases. Power consumption increases to  $Q_m + dQ_m$ .

**Increasing pressure reference with heat recovery**

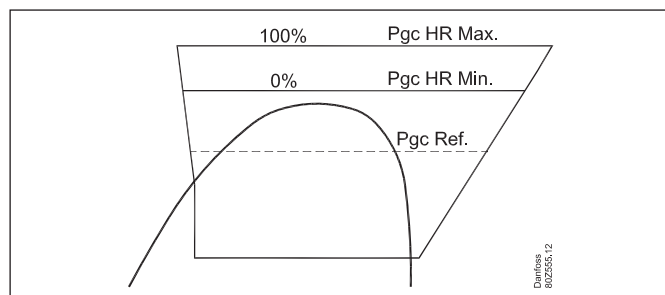
The function will increase the gas pressure reference to the Pgc HR Min. value when it receives a signal.



The function is activated by signal from the heat recovery

**Increasing pressure reference with heat recovery, variable reference**

The function will increase the gas pressure reference to the value where it receives a signal.



The function is activated by a signal from the heat recovery.

- From ON at 0%: Here the reference is changed to "Pgc HR Min."
- To ON at 100%: Here the reference will increase further to the setting "Pgc HR max".
- Between 0 and 100% the reference is variable.

**Bypass of gas cooler at a very low temperature**

It will be necessary to route the gas outside of the gas cooler if the gas temperature is too low.

Temperature limits are set under the function "**Bypass low limit**". When the function is active, the gas temperature is measured by the S<sub>hp</sub> sensor. When the sensor records a value that is 5K higher than the set value, it will switch back again so that the gas is routed through the gas cooler. The switch will only take place after the pre-set delay time "**Bypass permitted after**" has passed.

In general, the temperature is regulated first by fan control, and the fans stop when the temperature gets too low. The valve then takes over to keep the temperature above the desired temperature.

With modulating bypass valve, the OD min. and OD max. settings can be set as percentage open and define the valve’s range of operation.

OD min. will ensure a minimum flow in the bypass pipe.

**At on/off bypass valve**

(If the controller has had the gas cooler disconnected, a timer function will start when the system switches over once again to gas cooler operation. The timer function will keep the regulation in gas cooler mode for e.g. 3,600 seconds (can be set), until a disconnection is permitted again.)

**Warning!**

Remember that the controller controls the gas pressure. If the regulation is stopped by the internal or external main switch, this control will stop as well.

If the compressors are stopped via the function "External compressor stop", control of the gas pressure will continue.

## Ejector control

### Principle

The ejector effect is achieved when the motive mass flow from the gas cooler is pushed through a jet tube and then subsequently drives the gas / liquid from the MT part into a mixing chamber. The mixture is released to the receiver.

### Multi Ejector

The Multi Ejector is available in several versions where jet tube, suction pipe and mixing chamber is optimized to:

**"High pressure lift"** (HP) — an ejector that can lift a less mass flow, but higher pressure lift.

**"Low Pressure lift"** (LP) — an ejector that can lift more mass flow, but lower pressure lift.

**"Liquid Ejector"** (LE) — an ejector designed to lift liquid at low pressure conditions in a gas cooler.

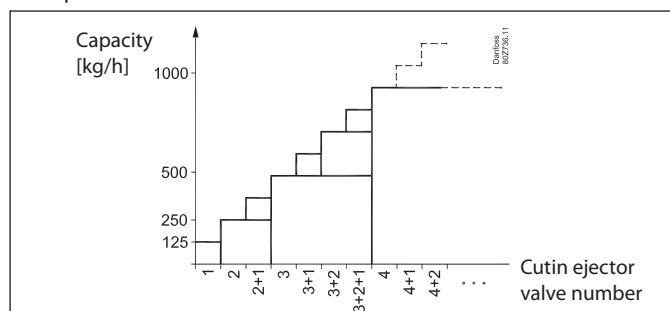
The ejectors are an integral part of the gas cooler pressure control strategy. The preferred ejector type is determined by the ejector envelopes. Depending on system layout there will be different priorities:

1. Preferred ejector type as long as a the preferred ejector capacity is available
2. Non-preferred ejector type
3. High pressure valve when there is no more ejector capacity available.

The ejector block consists of several fixed ejectors with different capacity sizes. The sizes are binary as for the four smallest and cyclic as for the largest. The ejectors are activated in a binary pattern to achieve the desired capacity.

- For "High pressure lift" (HP) they can, for example be: 125, 250, 500, 1000, 1000 and 1000 kg/h.
- For "liquid lift" they can, for example be: 200, 400 or 200+400 or 400+400 kg/h.
- The combi block can also be a combination of gas and liquid ejectors, using one or more liquid ejector valves.

### Example



Shown here is the start of a "High pressure lift" control with four ejector valves. The total capacity can be controlled up to approx. 1875 kg/h.

If an HP ejector with 6 ejector valves is used, it can handle up to 3875 kg/h. Ejector step 4, 5 and 6 are the same size (1000 kg/h) and are operated in order to have the same number of cycles. The control strategy is the same for LP ejectors, but the mass flow capacities are approximately half of what they are for HP ejectors.

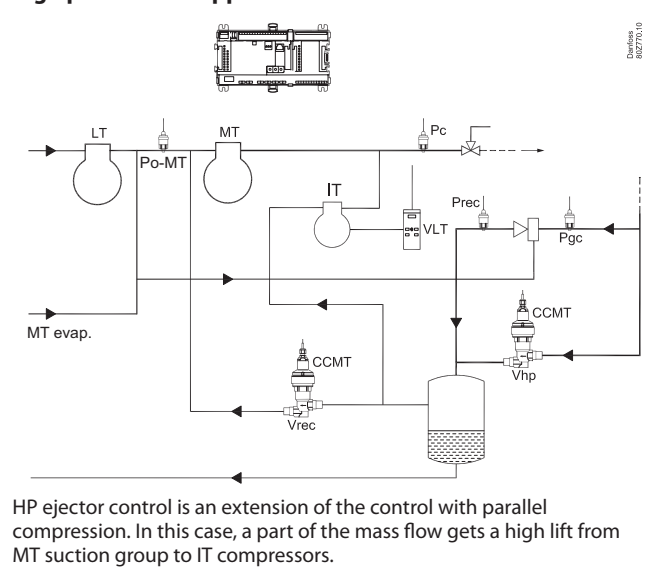
### Requirements

The four smallest ejector valves, that are controlled on/off more frequently than the larger ejector valves, **must be controlled by the controller's solid state relays**. The mechanical relays will not be able to withstand this high number of couplings.

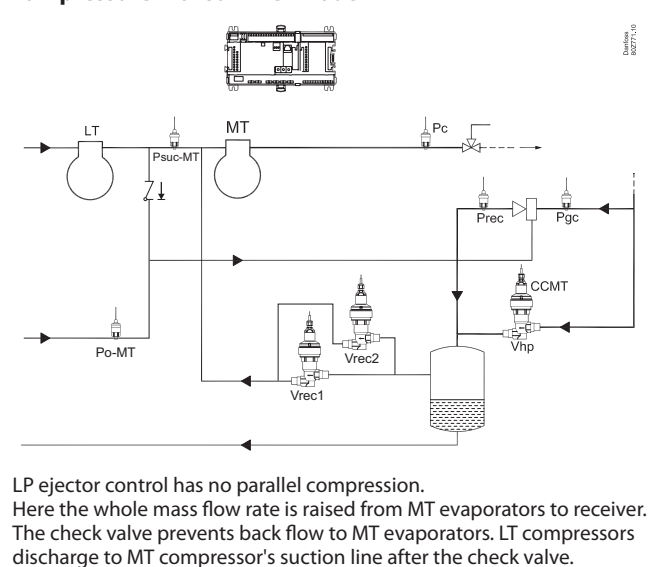
### Control

The control is regulated by a signal from the pressure transmitter Pgc. The neutral zone is around the reference. The controller will switch ejectors on and off when the pressure slides beyond the half neutral zone.

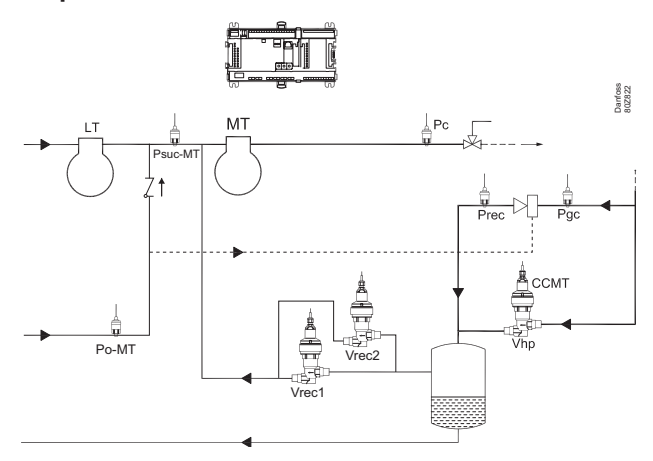
### High pressure lift application

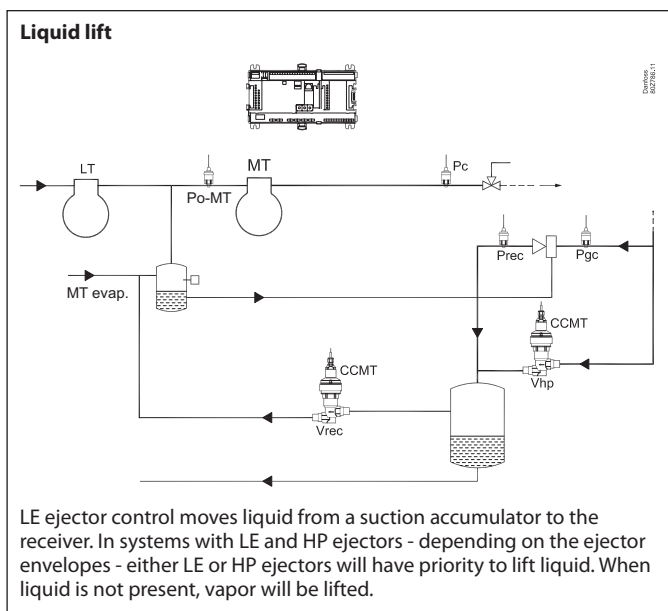


### Low pressure lift - summer mode



### Low pressure lift - winter mode





The control for HP and LP ejector systems are shown with the Vhp valve mounted in parallel with the ejectors. If ejector capacities are sufficient to manage the total gas cooler mass flow (up to 4 ejector blocks can be mounted in parallel), it is not necessary to have a Vhp valve. However, the controller will require that settings and output signal are present as if the valve was there.

In systems with adaptive liquid control (ALC), an accumulator must be mounted in the suction line. The ejectors will move liquid from the suction accumulator and over in the receiver. If the ejector cannot move enough liquid, the liquid level will rise. There is thus a risk of compressor breakdown. The controller must have a signal for liquid level in the suction accumulator. If the liquid level gets too high or if the ejectors are outside the application envelope, the controller can send a signal on the data communication and also activate a relay.

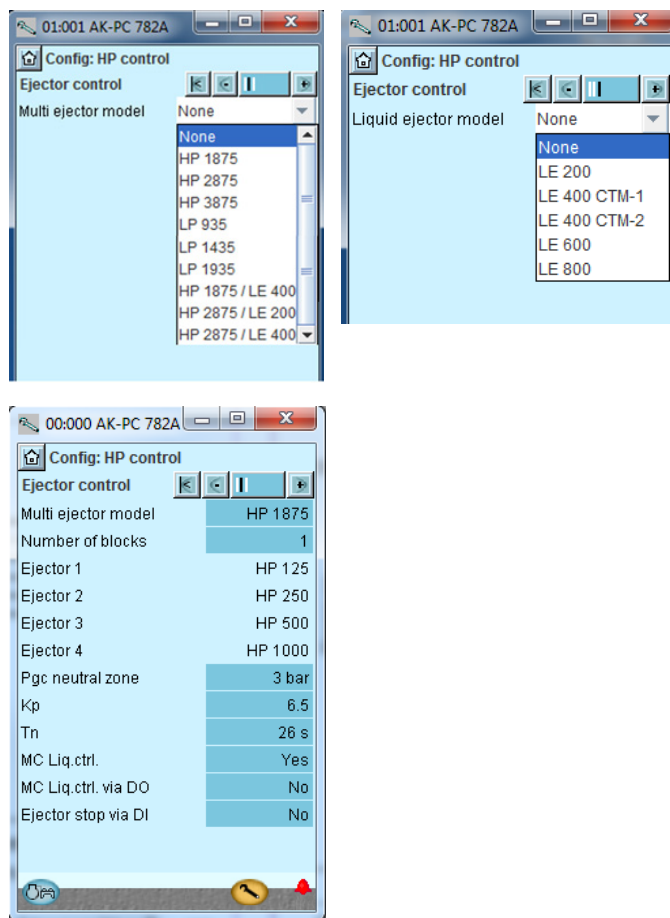
The evaporator controls must receive the signal on an excessively high liquid level, either via wiring or via data communication (if received via data communication, it is necessary for the system unit used to be able to convey this communication).

When the evaporator controls receive this signal, they will change the superheating regulation from "liquid flow allowed" to dry expansion.

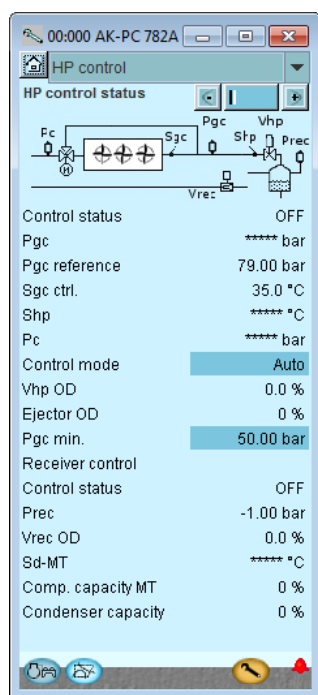


### Settings

The setting is made under HP control page 2



### Readings from the overview display



← The opening degree of the defined ejector valves.

### The type and size of the ejector

The first 6 are gas ejectors for a high pressure lift. Following these are combinations of gas and liquid ejectors, which are mounted in the same block. A combined gas-liquid setting is only possible when the ejectors are mounted in the same block. If the unit has a separate block for liquid, the "gas block" must be selected as gas only. The "liquid block" must then be set separately, as in the subsequent image.

### Number of blocks

If more than one block is selected, there will be a difference in how the electrical connection to an ejector is carried out. **Gas:** Here one output is reserved for each ejector valve in block 1. If there are more blocks, the subsequent blocks must be connected parallel to the first.

**Liquid:** Here one output is reserved for each ejector valve, regardless of the number of blocks and regardless of whether it is a combined gas/fluid block. Each fluid ejector valve has its own connection, i.e. there must be no parallel connection of fluid ejector valves.

### MC Liq. ctrl.

The function is enabled if the evaporator controllers allow operation with "MC Liq. ctrl.". If enabled, AK-PC 782A must receive a level signal from the suction accumulator. The ejector control will then follow this signal and cancel "MC Liq. ctrl." if the level in the suction accumulator becomes too high. The ejector regulation will also cancel "MC Liq. ctrl." if pressure conditions around the ejector deviate from those expected. That is, if the ejectors cannot keep up with the movement of liquid.

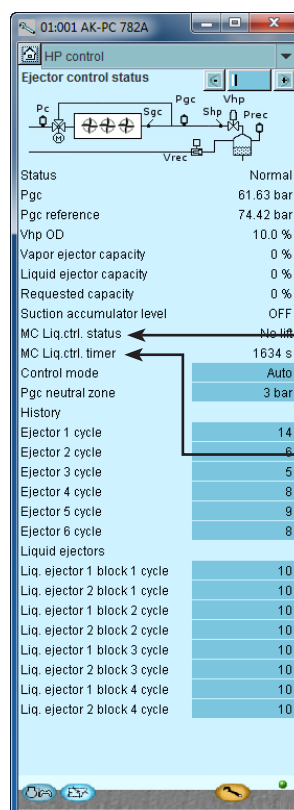
### MC Liq ctrl. via DO

If enabled, then a relay output will be reserved. The output will be activated when the ejector control can recommend operation with a "MC Liq. ctrl." and deactivated if "MC Liq. ctrl." must stop.

When the evaporator controllers receive a "stop MC Liq. ctrl." signal, they will change their superheating regulation to dry expansion.

### Ejector stop via DI

If you want to use an external contact function that can stop the ejector function, it should be added here.



MC liq. ctrl status description:

#### High Level:

The level in the suction accumulator is too High.

#### No lift:

No ejectors are being operated inside their application envelope.

#### Timer:

The controller is decreasing the Liquid level in the suction accumulator before MC liq control is permitted.

#### Permitted:

The Timer has expired and the ejectors can handle active ALC.

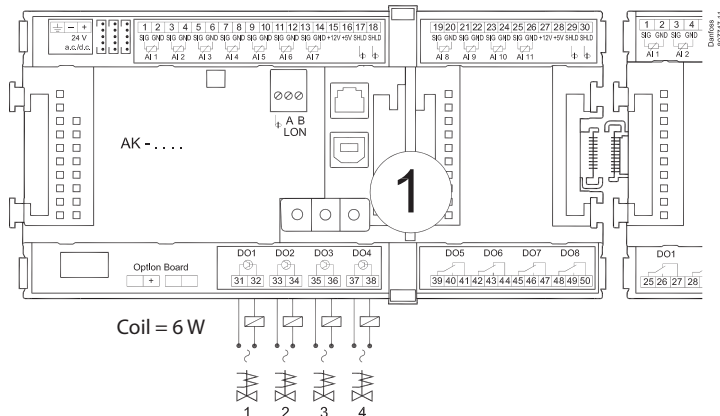
← This timer shows the remaining time, before the MC Liquid control is released again after it was stopped because of an "Ejector stop via DI" signal, "the ejectors are outside their application envelope" or because the "Liquid level" switch has detected a full separator.

An ejector valve should not disconnect more than once every minute over an average of 24 hours. If the change is more frequent, the control parameters Pgc neutral zone, Kp and Tn will change. The values in fields are total values since the last reset.



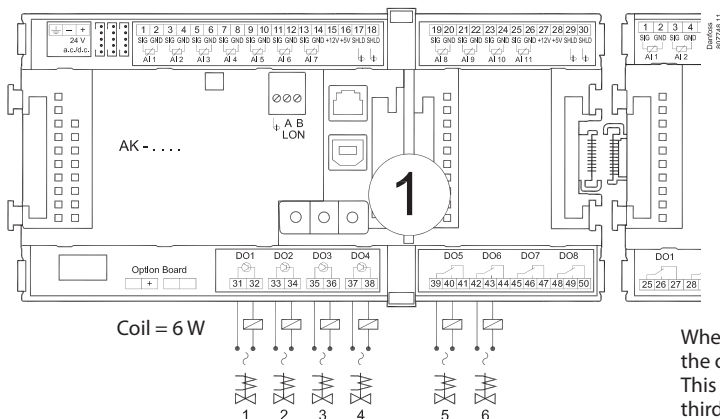
Recommended connections

4 steps



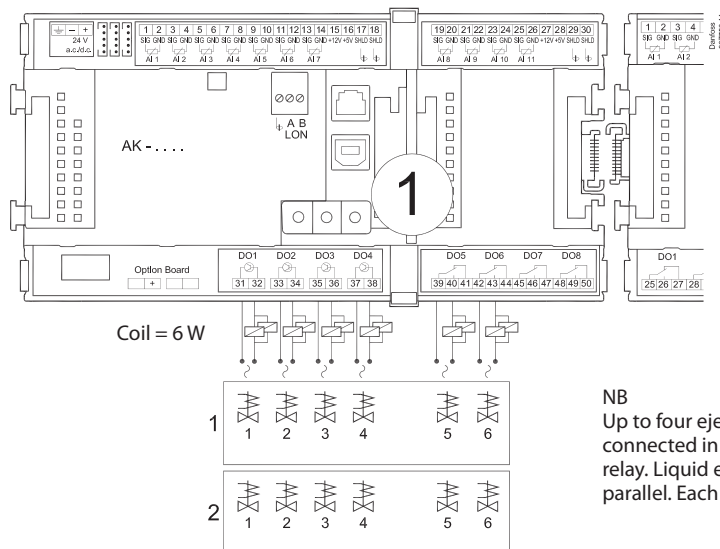
Ejector	HP
1	125
2	250
3	500
4	1000
5	1000
6	1000

6 steps, 3875 kg/h



When ejectors of the same size have to be coupled, the one with the shortest coupling time will cut in first. This is followed by the next shortest, and then by the third.

6 steps, 7750 kg/h



NB  
Up to four ejectors of equal size may be connected in parallel to the same solid state relay. Liquid ejectors are not connected parallel. Each liquid ejector has its own outlet.

Alarm text

Settings	Priority (factory)	English alarm texts	Description
Ejector			
-	High	Ejector Emergency	No signal from Pgc. The opening degree of the ejector valves are forcefully controlled to an average registered opening degree.
-	High	Manual Ejector control	The ejector control has been stopped manually

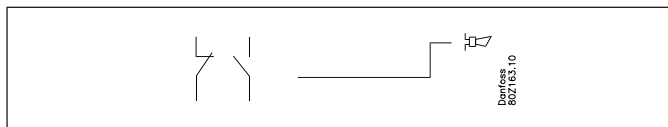




## General monitoring functions

### General alarm inputs (10 units)

An input can be used for monitoring an external signal.

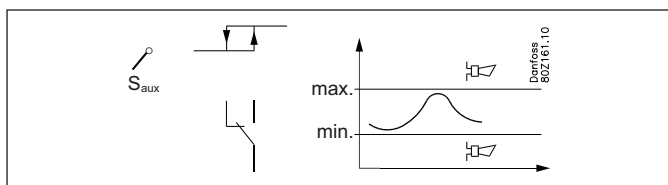


The individual signal can be adapted to the relevant use as it is possible to give the alarm function a name and to indicate your own alarm text.

A time delay can be set for the alarm.

### General thermostat functions (5 units)

The function may freely be used for alarm monitoring of the plant temperatures or for ON/OFF thermostat control. An example could be thermostat control of the fan in the compressor compartment.



The thermostat can either use one of the sensors used by the regulation (S<sub>s</sub>, S<sub>d</sub>, S<sub>c3</sub>) or an independent sensor (S<sub>aux1</sub>, S<sub>aux2</sub>, S<sub>aux3</sub>, S<sub>aux4</sub>).

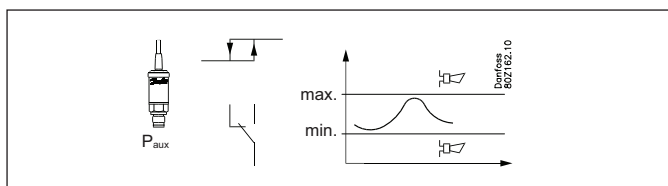
Cut-in and cut-out limits are set for the thermostat. Coupling of the thermostat's output will be based on the actual sensor temperature. Alarm limits can be set for low and high temperature, respectively, including separate alarm delays.

The individual thermostat function can be adapted to the relevant application as it is possible to give the thermostat a name and to indicate alarm texts.

### General pressure control functions (5 units)

(If the receiver is being pressure controlled, one of the five is used for this function. This means that subsequently there are four general pressure switches.)

The function may freely be used for alarm monitoring of plant pressure or for ON/OFF pressure control regulation.



The pressure control can either use one of the sensors used by the control function (P<sub>o</sub>, P<sub>c</sub>) or an independent sensor (P<sub>aux1</sub>, P<sub>aux2</sub>, P<sub>aux3</sub>).

Cut-in and cut-out limits are set for the pressure control. Coupling of the pressure control's output will be based on the actual pressure.

Alarm limits can be set for low and high pressure, respectively, including separate alarm delays.

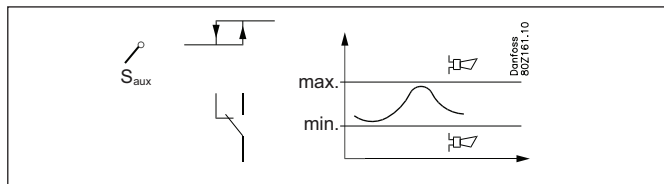
The individual pressure control function can be adapted to the relevant application as it is possible to give the pressure control a name and indicate alarm texts.

### General voltage input with ancillary relay (5 units)

5 general voltage inputs are accessible for monitoring of various voltage measurements of the installation. Examples are monitoring of a leak detector, moisture measurement and level signal - all with ancillary alarm functions. The voltage inputs can be used to monitor standard voltage signals (0-5V, 1-5V, 2-10V or 0-10V). If required, one can also use 0-20 mA or 4-20 mA if external resistance is placed at the inlet to adjust the signal to the voltage. A relay outlet can be attached to the monitoring so that one can control external units.

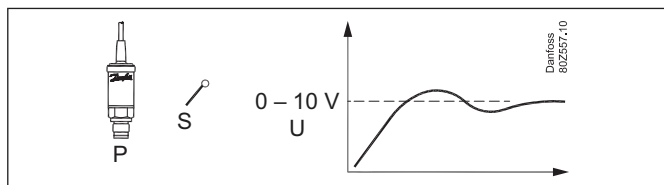
For each inlet, the following can be set/read out:

- Freely definable name
- Selection of signal type (0-5V, 1-5V, 2-10V, or 0-10V) or other signal
- Scaling of readout so it corresponds to measuring unit
- High and low alarm limit including delay times
- Freely definable alarm text
- Attach a relay output with cut-in and cut-out limits including delay times



### General PI functions (6 units)

The function can be freely used for controlling a required function, or it can be used to send signals to the controller regarding operating states. An example could be an out/in control for the use of the heat recovery function.



Signals can be received from e.g.:

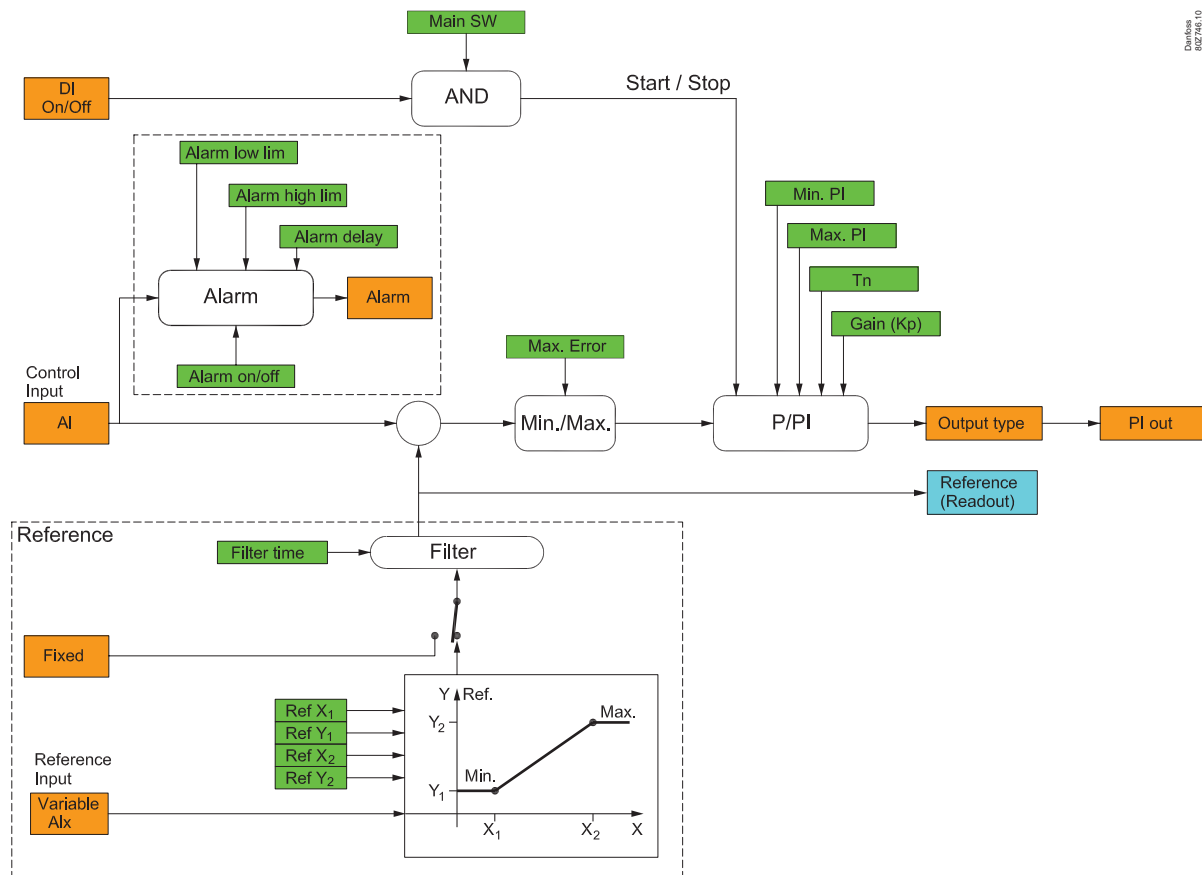
- Temperature sensor
- Pressure transmitter
- Saturation temperature
- Voltage signal
- Internal signals such as: T<sub>c</sub>, P<sub>c</sub>, S<sub>s</sub> and S<sub>d</sub>

Signals are shown on the next page.

Signals can be sent to the following:

- Voltage signal
- Valve with stepper motor
- PWM (pulse width modulated) signal for AKV valve.

The PI function is shown overleaf.



**General**

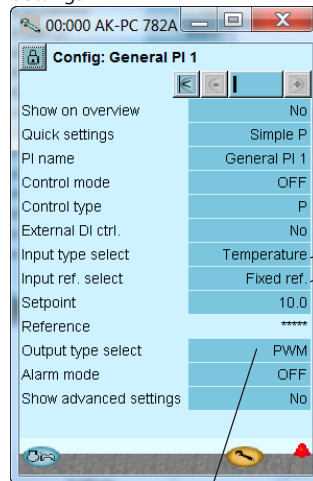
Signal and setting values are converted and adjusted as a percentage value of the signal.

A slow process will normally not be critical for the setting of P-part and I-part. However, if the process is quick, more careful set-up is required.

A general balancing might be:

- Check max. and min. settings
- Increase the integration time so that it is not mixed up with the balancing
- Reduce Kp to start with
- Start the process
- Adjust Kp until the process starts fluctuating and is constantly fluctuating
- Adjust Kp to half the value
- Adjust Tn down until the process starts fluctuating again
- Adjust Tn to double values

**Settings**



**prepared examples**

- Simple P
- Simple PI
- Heat control
- Cooling control
- Heat + Amb. Comp
- Pump delta P
- De-superheat
- Floor heat
- Dry cool 3WV
- Dry cool fan
- SH control
- Convert 0-5V
- Convert 5-10V
- Temp. to volt

Temperature	
Pressure	Paux1
Press.to temp	Paux2
Voltage	Paux3
Tc-MT	Vaux1
Pc-MT	Vaux2
Ss-MT suction	Vaux3
Sd-MT disch.	S7
To-MT	SH-MT
To-LT	SH-LT
Sd-LT	SH-IT
Sc3	Comp. capacity MT
Sgc	Comp. capacity LT
Shp	Comp. capacity IT
Stw8	DI1-Alarm
Shr4	DI2-Alarm
Shr8	DI3-Alarm
Saux 1	DI4-Alarm
Saux 2	DI5-Alarm
Saux 3	DI6-Alarm
Po-LT	DI7-Alarm
Po-MT	DI8-Alarm
Pgc	DI9-Alarm
Prec	DI10-Alarm
	DI input

PWM  
Stepper  
Voltage

Further information:  
Application guide. Literature number RA8AK.

## Miscellaneous

### Supply voltage

If the power supply to AK-PC 782A or the high pressure valve Vhp fails, the system cannot be controlled. We recommend installing an emergency supply (UPS) for both the controller and the valve to avoid faults. A relay in the UPS should be incorporated into the controller's safety circuit so that it can restart safely. The controller has a dedicated DI function for the UPS signal.

### Main switch

The main switch is used to stop and start the controlling function.

The switch-over has 2 positions:

- Normal controlling state (Setting = ON)
- Control stopped (Setting = OFF)

In addition, one can also choose to use a digital input as an external main switch.

If the switch-over or the external main switch is set at OFF, all the control's functions are inactive and an alarm is generated to draw attention to this – all other alarms cease.

### External switch for stopping compressors

The switch will stop the compressors, but all other functions will continue to be regulated.

### Refrigerant

For CO<sub>2</sub> only.

### Sensor failure

If lack of signal from one of the connected temperature sensors or pressure transmitters is registered an alarm will be given.

- When there is a P0 error, regulation will continue with 50% cut-in capacity during day operation and 25% cut-in capacity during night operation – but minimum one step.
- When there is a Pc error 100% condenser capacity will be cut in, but the compressor regulation will remain normal.
- In the event of Prec failure, regulation continues using the average Vrec OD recorded for the last 6 hours. The opening degree is then adjusted according to the MT capacity.
- When there is an error on the Sd sensor the safety monitoring of the discharge gas temperature will be discontinued.
- When there is an error on the Ss sensor the monitoring of the superheat on the suction line will be discontinued.
- When there is an error on the outdoor temperature sensor Sc3 it cannot regulate with variable condensing pressure reference. Instead you use the PC ref. min. value as reference.
- In the event of Sgc faults, further adjustments are carried out using the Shp signal.

Note: An incorrect sensor must be in order for 10 minutes before the sensor alarm deactivates.

### Safety disconnection signal

Unexpected disconnection of the compressor, condensation fan or frequency convertor can result in unexpected temperature increases in the system. If necessary, use the necessary safety signals to ensure that the controller receives signals about disconnections.

### Sensor calibration

The input signal from all connected sensors can be corrected. A correction will only be necessary if the sensor cable is long and has a small cross-sectional area. All displays and functions will reflect the corrected value.

### Clock function

The controller contains a clock function.

The clock function is used only to change between day/night. The year, month, date, hour and minutes must be set.

In the event of a power failure, the time setting will be remembered for at least 12 hours.

If the controller is connected to an installation with an AK system manager, this will automatically reset the clock function.

### Alarms and messages

In connection with the controller's functions, there are a number of alarms and messages that become visible in cases of fault or erroneous operation.

### Alarm history

The controller contains an alarm history (log) that contains all active alarms as well as the last 40 historical alarms. In the alarm history you can see when the alarm began and when it stopped. In addition, one can see the priority of each alarm as well as when the alarm has been acknowledged and by which user.

### Alarm priority

Differentiation is made between important and not-so-important information. The importance – or priority – is set for some alarms whilst others can be changed voluntarily (this change can only be done with attachment of AK-ST Service Tool software to the system and settings must be made in each individual controller).

The setting decides which sorting / action must be carried out when an alarm is sounded.

- "High" is the most important
- "Log only" is the lowest
- "Interrupted" results in no action

### Alarm relay

One can also choose whether one requires an alarm output on the controller as a local alarm indication. For this alarm relay it is possible to define which alarm priority it must react to – one can choose between the following:

- "Non" – no alarm relay is used
- "High" – Alarm relay is activated only with alarms with high priority
- "Low - High" – Alarm relay is activated only with alarms with "low" priority, "medium" or "high" priority.

The relationship between alarm priority and action appears in the schedule below.

Setting	Log	Alarm relay			Send Network	AKM destination
		Non	High	Low-High		
High	X		X	X	X	1
Medium	X			X	X	2
Low	X			X	X	3
Log only	X					4
Interrupted						

### Alarm acknowledgement

If the controller is connected to a network with a system manager as alarm receiver, this will automatically acknowledge the alarms that are sent to this.

If the controller on the other hand is not included in a network, the user must acknowledge all alarms.

### Alarm LED

The alarm LED on the front of the controller indicates the controller's alarm status.

Blinking: There is an active alarm or an unacknowledged alarm.  
 Fixed light: There is an active alarm that has been acknowledged.  
 Switched off: There are no active alarms and no unacknowledged alarms.

### I'm alive relay

The function reserves a relay that is pulled under normal regulation.

The relay will be released if:

- The regulation is stopped by the internal or external main switch
- The controller fails

### IO Status and manual

The function is used in connection with installation, servicing and fault-finding on the equipment.  
 With the help of the function, the connected outputs are controlled.

### Measurements

The status of all inlets and outlets can be read and controlled here.

### Forced operation

One can carry out an override of all outlets here to control whether these are correctly attached.

Note: There is no monitoring when the outlets are overridden.

### Logging/registration of parameters

As a tool for documentation and fault-finding, the controller provides the possibility of logging of parameter data in the internal memory.

Via AK-ST 500 Service Tool software one can:

- a) Select up to 10 parameter values the controller will continuously register
- b) State how often they must be registered

The controller has a limited memory but as a rule of thumb, the 10 parameters can be saved, which are registered every 10 minutes for 2 days.

Via AK-ST 500 one can subsequently read the historical values in the form of graph presentations.

(The log only works when the clock has been set.)

### Forced operation via network

The controller contains settings that can be operated from the system unit's forced operation function via data communication.

When the forced operation function asks about one change, all the connected controllers on this network will be set simultaneously.

There are the following options:

- Change to night operation
- Forced closure of injection valves (Injection ON)
- Optimization of suction pressure (Po)

### Operating AKM / Service Tool

The set-up of the controller itself can only be carried out via AK-ST 500 service tool software. The operation is described in fitters' on-site guide.

If the controller is included in a network with a system unit, one can subsequently carry out the daily operation of the controller via AKM system software, i.e. one can see and change daily readouts/ settings.

Note: AKM system software does not provide access to all configuration settings of the controller. The settings/readouts that may be made appear in the AKM menu operation (see also Literature overview).

### Authorisation / Passwords

The controller can be operated with System software type AKM and Service Tool software AK-ST 500.

Both methods of operation provide the possibility for access to several levels according to the user's insight into the various functions.

#### System software type AKM:

The various users are defined here with initials and key word. Access is then opened to exactly the functions that the user may operate.  
 The operation is described in the AKM manual.

#### Service Tool software AK-ST 500:

The operation is described in fitters' on-site guide.

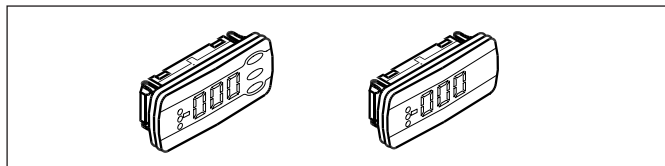
When a user is created, the following must be stated:

- a) State a user name
- b) State a password
- c) Select user level
- d) Select units – either US (e.g. °F and PSI) or Danfoss SI (°C and Bar)
- e) Select language

Access is given to four user levels:

- 1) DFLT – Default user – Access without use of password  
 See daily settings and readouts.
- 2) Daily – Daily user  
 Set selected functions and carry out acknowledgement of alarms
- 3) SERV – Service user  
 All settings in the menu system except for creation of new users
- 4) SUPV – Supervisor user  
 All settings including the creation of new users.



**Display of suction pressure and condensing pressure**


One to four separate displays can be connected to the controller. Connection is accomplished by means of wires with plug connections. The display may be placed in a control box front, for example.

When a display is connected, it will show the value for what is indicated in the set-up. It can be:  
 compressors' regulation sensor  
 P0 in temperature, MT, LT  
 P0 in bar, MT, LT  
 Ss, MT, LT, IT  
 Sd, MT, LT, IT  
 Condensers regulation sensor  
 Tc, MT  
 Pc bar, MT  
 S7  
 Sgc  
 Pgc bar  
 Prec bar  
 Trec  
 Speed Compressor, , MT, LT, IT

Display	Primary readout *	Secondary readout
A	Regulation sensor suction pressure	Cutin capacity MT
B	Regulation sensor condenser	Cutin capacity LT
C	Ss	Cutin capacity IT
D	Sd	Opening degree

\* The primary reading can be changed to other measurements, if required.

When (on plug A) a display with control buttons is chosen, a simple operation via a menu system can be performed in addition to the display of suction pressure and condensing pressure:

No.	Function
o57	Capacity settings for condenser 0: MAN, 1: OFF, 2: AUTO
o58	Manual setting of condenser capacity
o59	Capacity setting for suction group MT 0: MAN, 1: OFF, 2: AUTO
o60	Manual setting of suction pressure capacity MT circuit
h15	High pressure. Setting of Pgc minimum
h16	High pressure. Setting of HP-control mode: Automatic / manual
h17	High pressure. Manuel mode. Setting of valves opening degree
h18	Heat recovery. Reference for Shr8-temperature
h19	Heat recovery. Setting of heat recovery control mode: Automatic / off
P62	Manual setting of suction pressure capacity LT circuit
P63	Capacity setting for suction group LT 0: MAN, 1: OFF, 2: AUTO
r12	Main switch 0: Controller stopped 1: Regulating
r23	Set point suction pressure MT-circuit Setting of required suction pressure reference in °C
r24	Suction pressure reference MT-circuit Actual reference temperature for compressor capacity
r28	Set point condenser Setting of required condenser pressure in °C
r29	Condenser reference Actual reference for temperature for condenser capacity
r57	Po MT evaporating pressure in °C
r86	Receiver control. Reference for Prec
r87	Receiver control. Setting of the receiver control mode : Automatic / manual
r88	Receiver control. Manual mode. Setting of the valves opening degree
r90	Po LT evaporating pressure in °C
r91	Suction pressure reference LT-circuit Actual reference temperature for compressor capacity

r92	Set point suction pressure LT-circuit Setting of required suction pressure reference in °C
t49	Hot water. Reference for Stw8-temperature
t50	Hot water. Setting of hot water control mode: Automatic / off
u21	Superheat in suction line MT-circuit
u44	Sc3 out door temperature in °C
u48	Actual regulation status on condenser 0: Power up 1: Stopped 2: Manual 3: Alarm 4: Restart 5: Standby 6: Unloaded 7-9: Part loaded 10: Full loaded 11: Running
u49	Cut in condenser capacity in %
u50	Reference for condenser capacity in %
u51	Actual regulation status on suction group MT 0: Standby 1: Normal Ctrl. 2: Alarm comp. 3: ON timer 4: OFF timer 5: Normal Ctrl. 6: Inj. ON delay 7: Coordination 8: 1st comp.delay 9: Pump down 10: Sensor error 11: Load shed 12: Sd High 13: Pc High 14: Manual ctrl. 15: OFF 16: Inrush guard 17: Min. cap. req 18: Pump delay 19: Prec high 20: Vrec ctrl
u52	Cut in compressor capacity in % MT-circuit
u53	Reference for compressor capacity MT-circuit
u54	Sd discharge gas temperature in °C MT-circuit
u55	Ss Suction gas temperature in °C MT-circuit
u98	Actual temperature for S7 media sensor
U01	Actual Pc condensing pressure in °C
U46	Read out of "Req.CapA %" LT-Circuit
U47	Read out of "Comp.Cap %" LT-circuit
U48	Read out of "Suction status" LT-circuit
U49	Read out of "Tc" i LT-circuit
U50	Read out of "Ss" i LT-circuit
U51	Read out of "Sd" i LT-circuit
U52	Read out of "Sh" in LT-circuit
AL1	Alarm suction pressure
AL2	Alarm condenser
-- 1	Initiation, Display is connected to output "A", (- - 2 = output "B" etc.)

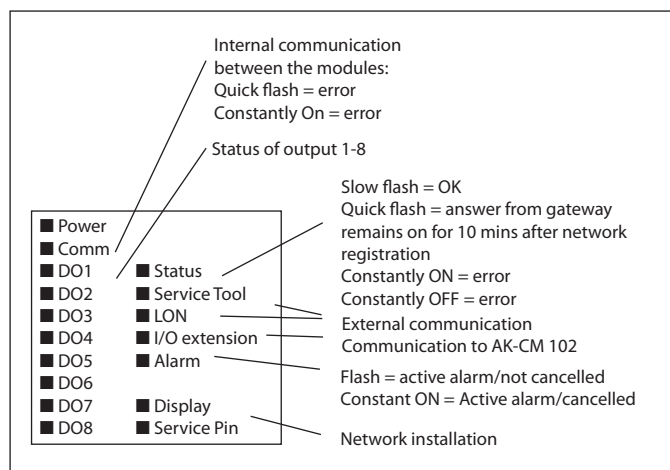
**Note:** the Koolcode app showing the parameter list and alarms/status is available for free download in App Store and Google Play.

If you want to see one of the values for what is given under "function" you should use the buttons in the following way:

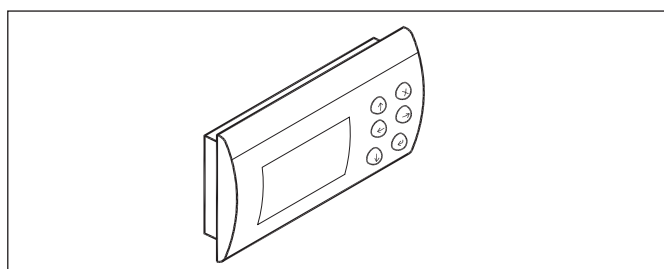
1. Press on the upper button until a parameter is shown
2. Press on the upper or lower button and find the parameter you want to read
3. Press on the middle button until the value of the parameter is displayed.  
After a short time, the display will return automatically to the "Read out display".



### Light-emitting diodes on the controller



### Graphic display MMIGRS2



With the display one has access to most of the controller functions. For access, connect the display to the controller and activate the address on MMIGRS2. (A separate power supply does **not** need to be connected). Power is supplied directly from the controller via the cable.

#### Setting:

1. Press both the "x" and "enter" buttons and hold in for 5 seconds. The BIOS menu is then displayed.
2. Select the "MCX selection" line and press "enter"
3. Select the "Man selection" line and press "enter"
4. The address will be displayed. Check that it is 001, press "enter". Data will then be collected from the controller.

(If you are logged on to the controller via the Service tool, you cannot also log on using MMIGRS2. Or vice-versa. Only the first user logged in has operator access.)

### Stepper Motor Valves

When selecting a Danfoss stepper motor valve, all settings are factory set. Here, it is only necessary to select the type of valve. If a valve from other manufacturers is used, the following settings have to be made. Get data from the valve manufacturer:

#### Max Operating Steps.

The number of steps that correspond to a valve position of 100%. This value is limited to a range of 0 - 10,000 steps.

#### Hysteresis

The number of steps needed to correct for mechanical hysteresis when a reduction gear is part of the valve design.

This adjustment is only applied, if an additional opening of the valve is requested.

If this is the case, the valve opens an additional amount equal to this value, before driving the valve in the closing direction by this same value.

This value is limited to 0 – 127 steps.

#### Step Rate

The desired valve drive rate in steps per second.

This value is limited to 20 – 500 steps / sec.

#### Holding Current

The percentage of the programmed Max Phase Current that should be applied to each phase of the stepper output when the valve is stationary. If required, this current ensures that the valve maintains its last programmed position. This value is limited to a range of 0 – 70% given in 10% steps.

#### Overdrive at Valve Init

During valve initialization, the amount to overdrive the valve, beyond the 0% position, to ensure that the valve has fully closed. This value is limited to a range of 0 - 31%.

#### Phase Current

The current applied to each phase of the stepper motor during actual valve movement. This value is limited to 7 bits and a range of 0 – 325 mA given in 10ma steps. Verify the range against the stepper valve controller in the actual design.

Please be aware, that this value has to be set in a RMS value. Some valve manufacturers are using peak current!

#### Soft Landing after Valve Init

At power on, the valve is performing a valve Initialization i.e. closing the valve with "Max Operating Steps" plus "Overdrive At Valve Init" steps to generate a zero-point calibration of the system. Hereafter a "Soft landing after Valve Init" is made to minimize the closing force on the valve seat with a few opening steps according to setting of "Hysteresis" or min. 20 steps.

#### Failsafe Position

During failsafe mode of operation (e.g. resulting from a loss of communications to this module), the default valve position is specified. This value is limited to a range of 0 – 100%.

## KPI calculations

### Principle

The controller can calculate the primary KPI parameters and provide an estimate of suction group efficiency (e.g. the Co-efficiency Of Performance, COP). Depending on Plant Configuration, up to three suction group are supported: MT, LT, IT.

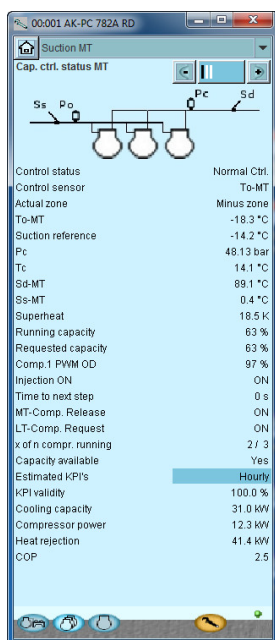
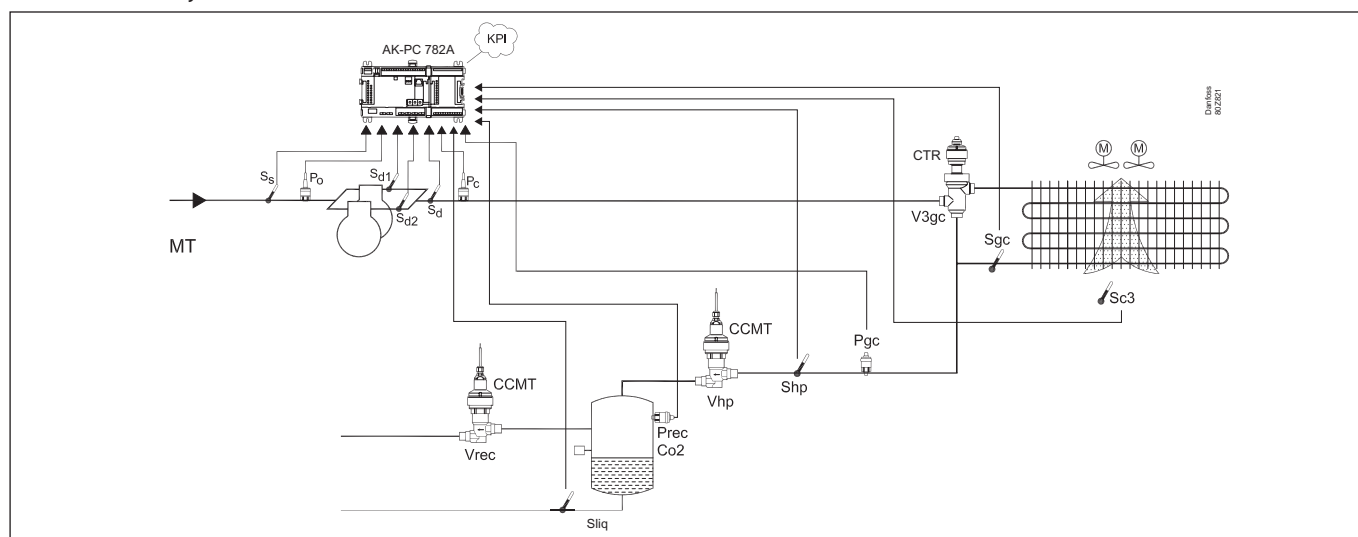
The model is based on the performance of an equivalent single stage refrigeration, providing easier tracking of the performance for each suction group.

**Note:** The COP relies on the operational conditions and is a momentary estimation of the efficiency under those conditions. When connected to the "Danfoss cloud" via the System Manager, a number of additional KPIs become available, which enables a normalization of the performance data to better estimate the pack performance and benchmark between different stores, which may even have different pack applications e.g. with and without Multi Ejectors. These additional KPIs are not documented here.

### Precondition

- Control of both the compressor group and condenser
- Heat reclaim is not included in the calculation
- Not valid when MT suction control may alternate between two pressure transducers (P<sub>0</sub> and P<sub>suc</sub> - typically used with Low Pressure Multi Ejectors)

- Only gas cooler in floating mode with outdoor air in the secondary side is supported. Additional heat exchanger installed after the gas cooler can only be internal heat exchanger (no external sub-cooling).
- De-superheater, (Screw) Compressors with economizer and externally cooled compressor are not supported
- Sensor info:
  - Discharge temperature sensors at each compressor are highly recommended (if measurement is undertaken by one shared S<sub>d</sub> only, then the calculations will be impaired).
  - The position of the common discharge sensor must be nearby to the discharge port of each individual compressor. If the plant configuration does not allow that then individual discharge sensors are required.
  - All the discharge pipes and sensors must be thermally well insulated
  - A sensor (S<sub>liquid</sub> temp) can be placed in the liquid line to the condenser, just after the receiver. If not installed/configured, the calculation might be less accurate. The sensor is highly recommended in case of Internal Heat Exchanger installed inside or after the liquid receiver.



### Settings and readouts for KPI

#### Estimated KPI's

Set the frequency with which KPI calculation should be visualized. The options are:

- Current: continuously updated. Variation in the system might take 10-15 min before they can be noticed.
- Hourly: Average for the previous hour
- Daily: Average for the previous day

#### KPI status (validity)

"When "Current" view is selected, here you can see if the calculated KPIs are considered valid or not. Dynamics in the system, such as start-up and shutdown, as well as invalid sensor readings, too low or too high performance can lead to invalid calculations.

When "Hourly" or "Daily" view is selected, the percentage of valid data sample for the previous hour/day calculation is shown. When the percentage is below 30%, the data should generally not be trusted. A well set-up system is expected to have 80-95% validity.

#### Cooling capacity

Estimated cold production at suction pressure

#### Compressor Power

Estimated electrical power to the compressors

#### Heat rejection

Estimation of how much heat (energy) is rejected at discharge pressure level.

#### COP

The estimated COP (Co-efficiency Of Performance) of the compressors. Calculated as the ratio between delivered energy (cooling capacity) and consumed energy (compressor power).

## Appendix A – Compressor combinations and coupling patterns

In this section, there is a more detailed description of the compressor combinations and the associated coupling patterns.

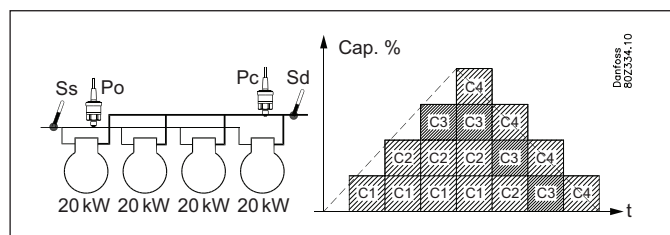
### Compressor application 1 – single step

The capacity distributor is capable of managing up to 10 one-step compressors according to the following coupling patterns:

- Cyclical
- Best fit

#### Cyclical operation - example

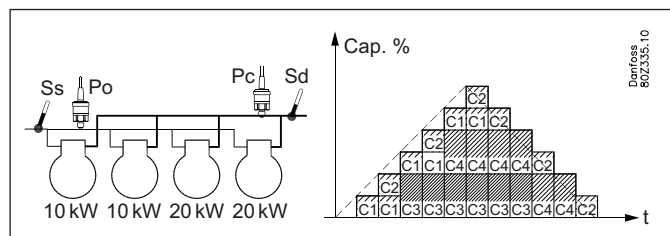
Here, all compressors are of the same size and the compressors are cut in and cut out in accordance with the First-In-First-Out (FIFO) principle, in order to equalize operating hours between the compressors.



- There is operating time equalizing between all compressors
- The compressor with the fewest running hours starts first
- The compressor with the most running hours stops first.

#### Best fit - example

Here at least two compressors are of different sizes. The capacity distributor will cut in and cut out the compressors to produce the best possible capacity fit (the least possible capacity jump).



- There is operating time equalizing between the compressors 1 and 2 (same size in example)
- There is operating time equalizing between the compressors 3 and 4 (same size in example)

### Compressor application 2 – 1 x unload + single step

The controller is able to control a combination of one capacity controlled compressor and multiple single step compressors. The advantage of this combination is that the unloader valves will be used to fill in capacity gaps and thereby achieve many capacity steps via few compressors.

Preconditions for using this compressor application are:

- All compressors are the same size
- The capacity-regulated compressor can have up to three unload valves
- The main step and the unload valves can be different sizes, i.e. 50%, 25% and 25%.

This compressor combination can be handled in the following coupling patterns:

- Cyclical

#### General regarding Handling:

##### Cut-in

The capacity-regulated compressors with unloader valves start before one-step compressors. The capacity-controlled compressor will always be fully loaded before cutting-in of subsequent one-step compressors.

##### Cut-out

The capacity-regulated compressor will always be the last to stop. The capacity-controlled compressor will always be fully loaded before cut-in of subsequent one-step compressors.

##### Unloader valves

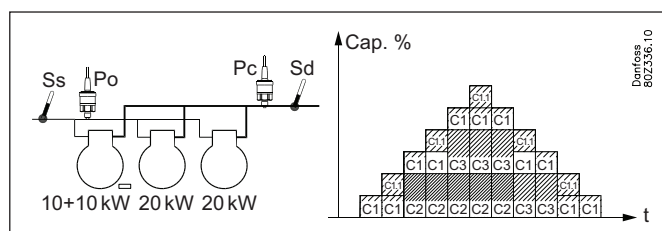
At cyclical operation unloader valves are used to close capacity holes from the subsequent one-step compressors.

##### Anti-cycle timer restrictions

In case a capacity-controlled compressor is prevented in starting due to anti-cycle timer restrictions, then the start of any subsequent one-step compressors is not allowed. The capacity-controlled compressor is started when the timer restriction has expired.

#### Cyclical operation - example

The one-step compressors will be cut in and cut out in accordance with The First-In-First-Out (FIFO) principle in order to equalize operating hours between the compressors.



- The capacity-controlled compressor is the first to start and the last to stop.
- Unloader valves are used to close capacity holes
- There is operating time equalizing between the compressors 2 and 3 (same size in example).

### Compressor application 3 – 2 x unload + single step

The controller is able to control a combination of capacity controlled compressors and multiple single step compressors. The advantage

of this combination is that the unloader valves will be used to fill in capacity gaps and thereby achieve many capacity steps via few compressors.

Preconditions for using this compressor application are:

- All compressors are the same size
- The capacity-regulated compressors have the same number of unload valves (max 3)
- The main step on the capacity-regulated compressors have the same size
- The main step and the unload valves can be different sizes, i.e. 50%, 25% and 25%.

This compressor combination can be handled in accordance with the following coupling patterns:

- Cyclical

In general, regarding handling of the capacity-regulated compressors: Cut-in

The capacity-regulated compressors with unloader valves start before one-step compressors. The capacity-controlled compressor will always be fully loaded before cutting-in of subsequent one-step compressors.

Cut-out

The capacity-regulated compressor will always be the last to stop. Handling of the unload valves depends on the setting of "unloader ctrl mode".

Unloader valves

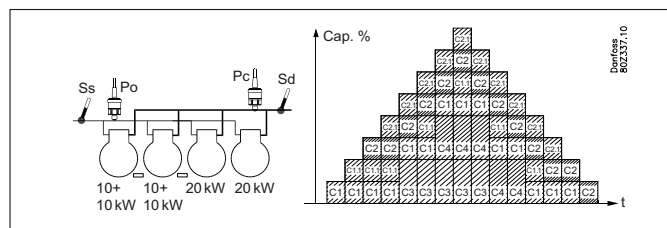
At cyclical operation, unloader valves are used to close capacity holes from the subsequent one-step compressors.

Anti-cycle timer restrictions

In case a capacity-controlled compressor is prevented in starting due to anti-cycle timer restrictions, then the start of any subsequent one-step compressor is not allowed. The capacity-controlled compressor is started when the timer restriction has expired.

### Cyclical operation - example

The one-step compressors will be cut in and cut out in accordance with the First-In-First-Out (FIFO) principle in order to equalize operating hours between the compressors.



- The capacity-controlled compressor is the first to start and the last to stop.
- Operating hours are equalized between the capacity-regulated compressors
- The unloader valve on the capacity-regulated compressor is used to fill capacity gaps
- Operating hours are equalized between the one-step compressors 3 and 4.

### Compressor application 4 – Only capacity controlled compressors

The controller is capable of controlling capacity-regulated piston compressors of the same size with up to 3 unload valves.

Preconditions for using this compressor application are:

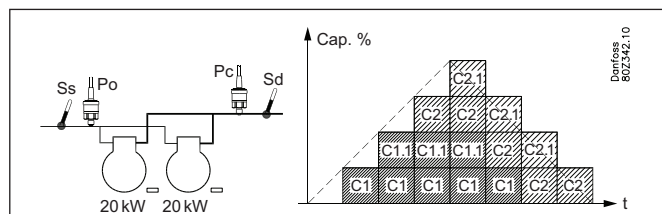
- All compressors are the same size
- The capacity-regulated compressors have the same number of unload valves (max 3)
- The main step on the capacity-regulated compressors are the same size
- The main step and the unload valves can be different sizes, i.e. 50%, 25% and 25%.

This compressor combination can be handled in the following coupling patterns:

- Cyclical

### Cyclical operation - example

The compressors are cut in and cut out in accordance with the First-In-First-Out (FIFO) principle to equalize operating hours between compressors.



- For cyclical operation, the compressor with the fewest running hours starts (C1)
- Only when compressor C1 is completely loaded, should compressor C2 be cut in
- For cut-out, the compressor with the most operating hours should be unloaded (C1)
- When this compressor is completely unloaded, the second compressor is unloaded by one step before the main step on the completely unloaded compressor (C1) is cut out.

### Compressor application 5 – 1 x Speed + single step

The controller is capable of controlling one speed-regulated compressor combined with one-step compressors of the same or different sizes.

Preconditions for using this compressor application are:

- A speed-regulated compressor that can be of a different size than the following one-step compressors
- Up to 3 one-step compressors of the same or different capacity (depending on coupling pattern)

This compressor combination can be handled in accordance with the following coupling patterns:

- Cyclical
- Best fit

### Handling the speed-regulated compressor.

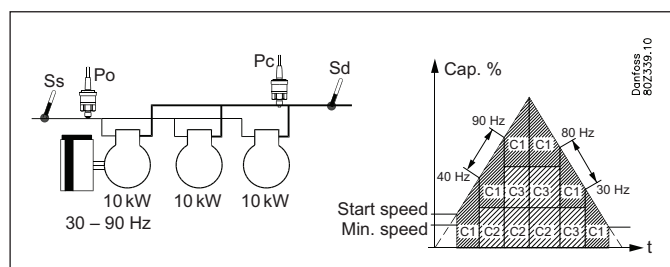
For more information on the general handling of the speed-regulated compressor, refer to section "Power pack types".

### Cyclical operation - example

Here, the one-step compressors are of the same size. The speed-regulated compressor is always the first to start and the last to stop. One-step compressors should be cut in and cut out in accordance with the First-In-First-out principle in order to equalize operating hours.

The speed-regulated compressor is used to fill the capacity gaps between the one-step compressors.

Example:



Increasing capacity:

- The speed-regulated compressor starts when the desired capacity equals the start speed
- The following one-step compressor with the smallest number of operating hours cuts in when the speed-regulated compressor is running at full speed (90 Hz)
- When a one-step compressor cuts in, the speed-regulated compressor reduces speed (40 Hz) equivalent to the capacity of the one-step compressor.

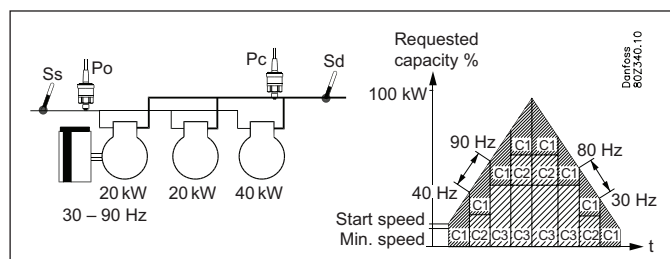
Decreasing capacity:

- The following one-step compressors with the most operating hours should be cut out when the speed-regulated compressor reaches minimum speed (30 Hz)
- When a one-step compressor is cut out, the speed-regulated compressor's speed increases (80 Hz), equivalent to the capacity of the one-step compressor
- The speed-regulated compressor is the last compressor to be cut out when the preconditions for this are fulfilled.

Best fit - example:

Here, at least two of the one-step compressors are of different sizes. The speed-regulated compressor is always the first to start and last to stop. The capacity distributor cuts in and cuts out the one-step compressors in order to achieve the best possible capacity fit (least possible capacity jump). The speed-regulated compressor is used to fill out the capacity gaps between the one-step compressors.

Example:



Increasing capacity:

- The speed-regulated compressor starts when the desired capacity matches the start speed
- The smallest one-step compressor is cut in when the speed-regulated compressor runs at full-speed (90 Hz)
- When the speed-regulated compressor again reaches max. speed (90 Hz), the smallest one-step compressor is cut out (C2) and the big one-step compressor (C3) is cut in
- When the speed-regulated compressor again reaches max. speed (90 Hz), the smallest one-step compressor (C2) is cut in again.

- When the one-step compressor is cut in, the speed is reduced on the speed-regulated compressor (40 Hz) equivalent to the capacity of the cut-in capacity

Decreasing capacity:

- The small one-step compressor is cut out when the speed-regulated compressor has reached minimum speed (30 Hz)
- When the speed-regulated compressor again reaches minimum speed (30 Hz), the smallest one-step compressor (C2) is cut out and the big one-step compressor (C3) is cut in
- When the speed-regulated compressor again reaches min. speed (30 Hz), the large one-step compressor (C3) is cut out and the small one-step compressor (C2) is cut in again
- When the speed-regulated compressor again reaches min. speed (30 Hz), the small one-step compressor (C2) is cut in
- The speed-regulated compressor is the last compressor to be cut out when the requirements for this are fulfilled
- When the one-step compressor's capacity is cut out, the speed-regulated compressor increases speed (80 Hz) equivalent to the cut out capacity.

### Compressor application 6 – 1 x Speed + unloader

The controller can operate one speed-regulated compressor combined with several capacity-regulated compressors of the same size and with the same number of unloaders. The advantage of this combination is that the variable part of the speed-regulated compressor only needs to be large enough to cover the following unload valves in order to achieve a capacity curve without gaps.

Preconditions for using this compressor application are:

- A single speed-regulated compressor that can be of a different size than the following compressors
- The capacity-regulated compressors are the same size and have the same number of unload valves (max. 3)
- The main step on the capacity-regulated compressors are the same size
- The main step and the unload valves can be different sizes, i.e. 50%, 25% and 25%.

This compressor combination can be handled in the following coupling patterns:

- Cyclical

Handling the speed-regulating compressor

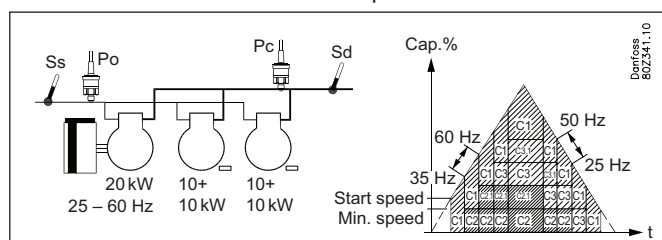
For further information on the general handling of the speed-regulated compressor, refer to section "Power pack types".

Cyclical operation - example

The speed-regulated compressor is always the first to start and last to stop.

The capacity-regulated compressors are cut in and cut out in accordance with the First-in-First-Out principle in order to equalize operating hours

The speed-regulated compressor is used to fill the capacity gaps between the unload valves/main steps.





**Increasing capacity:**

- The speed-regulated compressor starts when the desired capacity matches the start speed
- The main step on the capacity-regulated compressor with fewest operating hours (C1) is cut in when the speed-regulated compressor runs at full speed (60 Hz)
- The unload valves are cut in gradually as the speed-regulated compressor again reaches max. speed (60 Hz)
- The main step on the last capacity-regulated compressor (C2) is cut in when the speed-regulated compressor again reaches max. speed (60 Hz)
- The unload valves are cut in gradually as the speed-regulated compressor again reaches max. speed (60 Hz)
- When the main step or unload valves are cut in, the speed is reduced on the speed-regulated compressor (35 Hz) to equivalent to the capacity of the cut in capacity.

**Decreasing capacity:**

- The capacity-regulated compressor with the most operating hours (C2) cuts out an unload valve when the speed-regulated compressor has reached min. speed (25 Hz)
- When the speed-regulated compressor again reaches min. speed (25 Hz), the unload valve is cut out on the next capacity-regulated compressor (C3)
- When the speed-regulated compressor again reaches min. speed (25 Hz), the main step is cut out on the capacity-regulated compressor with the most operating hours (C2)
- When the speed-regulated compressor again reaches min. speed (25 Hz), the main step is cut out on the last capacity-regulated compressor (C3)
- The speed-regulated compressor is the last compressor that is cut out when the conditions for this are fulfilled
- When the main step or unload valves are cut out, the speed of the speed-regulated compressor increases (50 Hz) to equivalent to the cut out capacity

**Compressor application 7 – 2 x Speed + single**

The controller can control two speed-regulated compressors combined with several one-step compressors that may be the same or different in size (depending on the selected coupling pattern).

The advantage of using two speed-regulated compressors is that it is then possible to reach a very low capacity, which is an advantage with low loads, while at the same time a very high variable regulating range is possible.

**Preconditions for using this compressor application are:**

- Two speed-regulated compressors which can be of a different size than the following one-step compressors
- The speed-regulated compressors can be the same or different sizes (depending on the choice of coupling pattern)
- The same frequency band for both speed-regulated compressors
- One-step compressors of the same or different sizes (depending on the choice of coupling pattern)

This compressor combination can be handled in accordance with the following coupling patterns:

- Cyclical
- Best fit

**Handling the speed-regulated compressor**

For more information on the general handling of the speed-regulated compressors, refer to section "Power pack types".

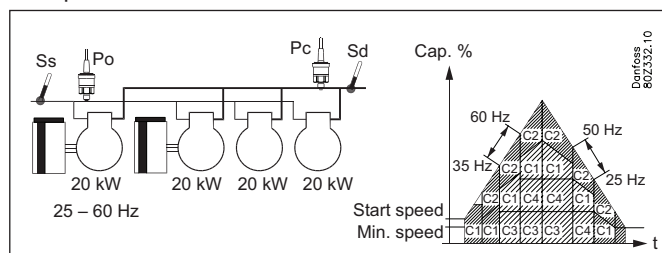
**Cyclical operation - example**

Here the speed-regulated compressors are the same size. The one-step compressors should also be the same size.

The speed-regulated compressor is always the first to start and the last to stop.

The other compressors cut in and cut out in accordance with the operating time (First-In-First-Out principle).

The speed-regulated compressor is used to fill the capacity gaps between the following one-step compressors.

**Example:**

**Increasing capacity:**

- The speed-regulated compressor with the least operating hours (C1) starts when the desired capacity equals the start speed
- The following speed-regulated compressor C2 is cut in when the first speed-regulated compressor (C1) has reached max. speed (60 Hz) so that the compressors run in parallel
- When the two speed-regulated compressors reach full speed (60 Hz) the one-step compressor with the fewest operating hours is cut in (C3)
- When the two speed-regulated compressors again reach full speed (60 Hz), the last one-step compressor cuts in (C4)
- When one-step compressors are cut in, the speed is reduced on the speed-regulated compressor (35 Hz) equivalent to the cut-in capacity.

**Decreasing capacity:**

- The one-step compressor with the most operating time (C3) is cut out when the speed-regulated compressor reaches min. speed (25 Hz)
- When the two speed-regulated compressors again reach min. speed (25 Hz), the last one-step compressor is cut out (C4)
- When the two speed-regulated compressors again reach min. speed (25 Hz), the speed-regulated compressor with the most operating hours is cut out (C1)
- The last speed-regulated compressor (C2) is cut out when the requirements for this are fulfilled
- When one-step compressors are cut out, the speed-regulated compressors' speed increases (50 Hz), equivalent to the cut out capacity.

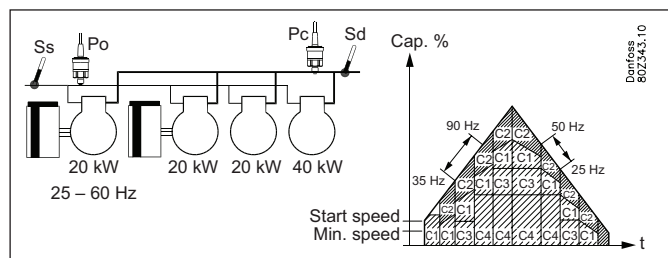
**Best fit - examples**

Here, either the two speed-regulated compressors are of different sizes, or the following one-step compressors are of different sizes. The speed-regulated compressors are always the first to start and the last to stop.

The capacity distributor cuts in and cuts out both speed-regulated compressors and one-step compressors in order to reach the best possible capacity adjustment (least possible capacity jump).

Example 1

In this example, the speed-regulated compressors are of the same size and the following one-step compressors are of different sizes.



Increasing capacity:

- The speed-regulated compressor with the least operating hours (C1) starts when the desired capacity equals the start speed
- When the first speed-regulated compressor (C1) has reached max. speed (60 Hz), the second speed-regulated compressor (C2) cuts in so that the compressors run in parallel
- When the two speed-regulated compressors reach full speed (60 Hz), the small one-step compressor (C3) is cut in
- When the two speed-regulated compressors again reach full speed (60 Hz), the large one-step compressor (C4) is cut in and the small one-step compressor (C3) is cut out
- When the two speed-regulated compressors again reach full speed (60 Hz), the small one-step compressor (C4) is cut in again
- When the one-step compressor is cut in, the speed is reduced on the speed-regulated compressor (35 Hz) corresponding to the cut-in capacity.

Decreasing capacity:

- The small one-step compressor (C3) is cut out when the speed-regulated compressor reaches the min. speed (25 Hz)
- When the two speed-regulated compressors again reach min. speed (25 Hz), the big one-step compressor (C4) is cut out and the small one-step compressor (C3) is cut in
- When the two speed-regulated compressors again reach min. speed (25 Hz), the small one-step compressor (C3) is cut out
- When the two speed-regulated compressors again reach min. speed (25 Hz), the speed-regulated compressor with the most operating hours (C1) is cut out
- The last speed-regulated compressor (C2) is cut out when the requirements for this are fulfilled
- When one-step compressors cut out, the speed-regulated compressors increase speed (50 Hz), corresponding to the cut-out capacity.

Increasing capacity:

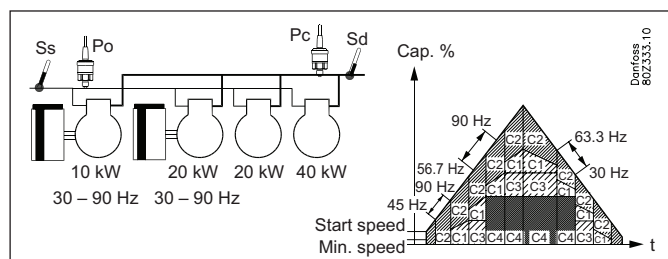
- The smallest speed-regulated compressor (C1) starts when the desired capacity equals the start speed
- When the smallest speed-regulated compressor (C1) has reached max. speed (90 Hz), the large speed-regulated compressor (C2) cuts in and the small speed-regulated compressor cuts out
- When the large speed-regulated compressor reaches max. speed (90 Hz), the small speed-regulated compressor (C1) cuts in again so that the compressors run in parallel
- When the two speed-regulated compressors reach full speed (90 Hz), the small one-step compressor (C3) is cut in
- When the two speed-regulated compressors again reach full speed (90 Hz), the big one-step compressor (C4) cuts in and then the small one-step compressor (C3) cuts out
- When the two speed-regulated compressors again reach full speed (90 Hz), the small one-step compressor (C3) is cut in again
- When the one-step compressors are cut in, the speed decreases on the speed-regulated compressor (56.7 Hz) corresponding to the cut-in capacity

Decreasing capacity:

- The small one-step compressor (C3) is cut out when the speed-regulated compressor reaches min. speed (30 Hz)
- When the two speed-regulated compressors again reach min. speed (30 Hz) the big one-step compressor (C4) cuts out and the small one-step compressor (C3) cuts in
- When the two speed-regulated compressors again reach min. speed (30 Hz), the small one-step compressor (C3) cuts out
- When the two speed-regulated compressors again reach min. speed (30 Hz), the small speed-regulated compressor (C1) cuts out
- When the big speed-regulated compressor reaches min. speed (30 Hz), it is cut out and the small speed-regulated compressor is cut in (C1)
- The small speed-regulated compressor (C1) is cut out when the conditions for this are met
- When the one-step compressors are cut out, the speed-regulated compressors' speed increases (63.3 Hz) to the equivalent to the cut-out capacity.

Example 2:

In this example, the speed-regulated compressors are of different sizes and the following one-step compressors are also of different sizes.



**Appendix B - Alarm texts**

Settings	Priority (factory)	English alarm texts	Description
<b>Suction group</b>			
Low suction pressure P0	Low	Low pressure P0	Minimum safety limit for suction pressure P0 has been exceeded
High suction pressure P0	High	High pressure P0	High alarm limit for P0 has been exceeded
Low pressure Psuc-MT	Low	Low pressure Psuc-MT	Minimum safety limit for suction pressure Psuc has been exceeded
High pressure Psuc-MT	High	High pressure Psuc-MT	High alarm limit for Psuc has been exceeded
High/Low superheat Ss	Medium	High superheat suction A	Superheat in suction line too high
		Low superheat section A	Superheat in suction line too low
Load shedding	Medium	Load Shed active	Load shedding has been activated
P0 sensor error	High	P0A sensor error	Pressure transmitter signal from P <sub>0</sub> is defective
		Psuc sensor error	Pressure transmitter signal from Psuc is defective
		Sgc sensor error	Temperature signal from gas cooler is defective
		Prec sensor error	Pressure transmitter signal from the receiver is defective
		Pgc sensor error	Pressure transmitter signal from the gas cooler is defective
Misc. sensor error	Medium	SsA sensor error	Temperature signal from Ss suction gas temp. is defective
		SdA sensor error	Temperature signal from Sd discharge gas temp. is defective
		Sc3 sensor error	Temperature signal from Sc3 air on condenser defective
		Heat recovery sensor error	Temperature signal from Shrec heat recovery thermostat defective
		Stw sensor error	Temperature signal from hot water circuit is defective
		Shr sensor error	Temperature signal from heat circuit is defective
		Saux_ sensor error	Signal from extra Temp.sensor Saux_ is defective
		Paux_ sensor error	Signal from extra pressure sensor Paux_ is defective
<b>All compressors</b>			
Common safety	High	Common compr. Safety cutout	All compressors have been cut out on common safety input
Comp. 1 safety Comp. 2 safety Comp. 3 safety  Comp. x safety	Medium	Comp. X oil pressure cut out	Compressor no. x has been cut out on oil pressure safety
		Comp. x over current cut out	Compressor no. x has been cut out on over-current safety
		Comp. 1 motor prot. cut out	Compressor no. x has been cut out on motor protection safety
		Comp. 1 disch. Temp cut out	Compressor no. x has been cut out on discharge temperature safety
		Comp. 1 disch. Press. Cut out	Compressor no. x has been cut out on discharge pressure safety
		Comp. 1 General safety cut out	Compressor no. x has been cut out on general safety
VSD safety	Medium	Comp. 1 FCD safety error	Variable speed drive for comp. x has been cut out on safety
Separator alarms	Medium	Low oil in separator x	Oil level too low in separator x
		No oil separated sep. x	No oil in oil separator x
		To high oil in separator x	Oil level too high in separator x
		Remaining oil separator x	Separator x can not be emptied completely for oil
Receiver alarm	Medium	Oil recv. high level	Oil level too high in receiver
		Oil recv. low level	Oil level is too low in receiver
Rec. high pressure	Medium	Recv. High pressure alarm	Pressure too high in receiver
Rec. low pressure	Medium	Recv. Low pressure alarm	Pressure too low in receiver
Rec. High liquid level	High	Rec. High liquid level alarm	Liquid level too high in the receiver
Rec. Low liquid level	High	Rec. Low liquid level alarm	Liquid level too low in the receiver
<b>Condensor</b>			
High Sd temp.	High	High disch. temp. SdA	Safety limit for discharge temperature has been exceeded
High Pc pressure	High	High pressure Pc	High safety limit for condensing pressure Pc has been exceeded



Pc/S7 Sensor error	High	PcA sensor error	Pressure transmitter signal from Pc is defective
		S7A sensor error	Temperature signal for S7 medium temperature sensor is defective
Fan/VSD safety	Medium	Fan Alarm 1	Fan no. X is reported defective via safety input
		Fan VSD alarm	Variable speed drive for condenser fans has been cut out on safety
<b>Various alarms</b>			
Standby mode	Medium	Control stopped, MainSwitch=OFF	The control has been stopped via the setting "Main switch" = Off or the external Main switch is off
Thermostat x – Low temp. alarm	Low	Thermostat x - Low alarm	The temperature for thermostat no. x has been below the low alarm limit for longer time than set delay
Thermostat x – High temp. alarm	Low	Thermostat x - High alarm	The temperature for thermostat no. x has been above the high alarm limit for longer time than set delay
Pressostat x – Low pressure alarm	Low	Pressostat x - Low alarm	The pressure for pressostat no. x has been below the low alarm limit for longer time than set delay
Pressostat x – alarm limit high pressure	Low	Pressostat x - High alarm	The pressure for pressostat no. x has been above the high alarm limit for longer time than set delay
Voltage input x – Low alarm	Low	Analogue input x - Low alarm	The voltage signal has been below the low alarm limit for longer time than set delay
Voltage input x – High alarm	Low	Analogue input x - High alarm	The voltage signal has been above the high alarm limit for longer time than set delay
User def. alarm text	Low	Custom alarm x -define text	Alarm on general alarm input DI x
No flow	High	Flow switch alarm	There is no flow in the heating circuit. Check the pump
Boiling alarm	High	Boiling alarm	The temperature in the heat circuit is too high
Receiver alarm	High	Prec...	Alarm from the receiver
External power loss	High	External power loss	Supply is interrupted. A message alert. All other alarms stopped.
Stappervalue	High	Stepper - Vhp, Vrec, PI, Vliq. Open coil, Shorted output, Error, Power failure	Check the supply to the current valve. In the event of an error or power failure: check the supply to the stepper module.
<b>System alarms</b>			
The alarm priority can not be altered on system alarms			
Control mode	Low	Manual comp. cap. Control A	Compressor's capacity control runs i manual mode
Control mode	Low	Manual cond. cap. Control A	Condense capacity control runs i manual mode
	Medium	Time has not been set	Time has not been set
	Medium	System Critical exception	An unrecoverable critical system failure has occurred – exchange the controller
	Medium	System alarm exception	A minor system failure has occurred – power off controller
	Medium	Alarm destination disabled	When this alarm is activated, the alarm transmission to the alarm receiver has been deactivated. Check and wait. When the alarm is cleared the alarm transmission to the alarm receiver has been activated again
	Medium	Alarm route failure	Alarms cannot be transmitted to alarm receiver – check communication
	High	Alarm router full	The internal alarm buffer has an overrun – this might occur if the controller cannot send the alarms to the alarm receiver. Check communication between controller and system unit
	Medium	Device is restarting	The controller is restarting after flash updating of the software
	Medium	Common IO Alarm	There is a communication fault between the controller module and the extension modules – the fault must be corrected as soon as possible
<b>Manual control</b>			
	Low	MAN CONTROL	The function in question has been put in manual control mode via the AK-ST 500 Service Tool software
	Low	Man set ....	The output in question has been put in manual control mode via the AK-ST 500 Service Tool software
	Low	Man control .....	The output in question has been put in manual control mode via the AK-ST 500 Service Tool software

## Installation considerations

Accidental damage, poor installation, or site conditions, can give rise to malfunctions of the control system, and ultimately lead to a plant breakdown.

Every possible safeguard is incorporated into our products to prevent this. However, a wrong installation, for example, could still present problems. Electronic controls are no substitute for normal, good engineering practice.

Danfoss will not be responsible for any goods, or plant components, damaged as a result of the above defects. It is the installer's responsibility to check the installation thoroughly, and to fit the necessary safety devices.

Special reference is made to the necessity of signals to the controller when the compressor is stopped and to the need of liquid receivers before the compressors.

Your local Danfoss agent will be pleased to assist with further advice, etc.