

Data sheet

## Check valves

VCH 30, VCH 60, VCH 120 and VCH 150



The function of the non-return valve is to allow flow in one direction while blocking it in the other.

The valve incorporates a conical poppet design, which ensures sealing with a low viscosity medium such as water.

The Water must be clean (according to the EU drinking water directives 98/83/EC) and must be free from abrasive sediments.

The valves are available for flows of 30 l/min, 60 l/min, 120 l/min. and 150 l/min.

### Features

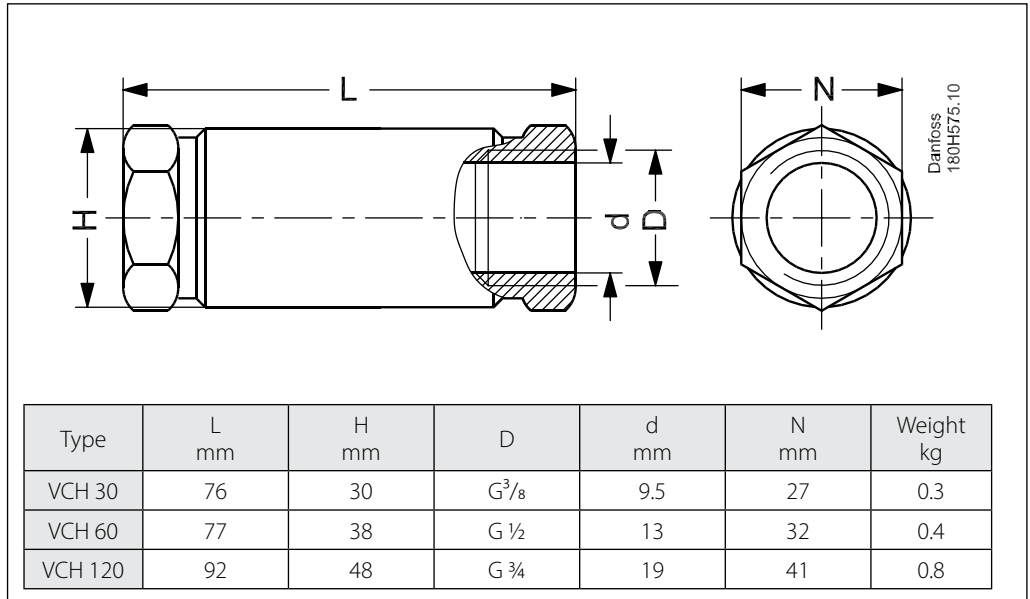
- The non-return valve is produced in stainless steel AISI 304 L/W.No. 1.4301

### Technical data and ordering

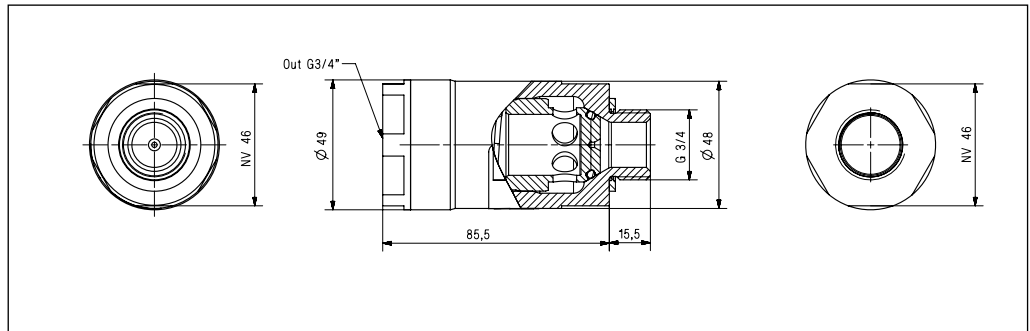
Type	Max. pressure barg	Flow continuously l/min.	Opening pressure barg	Pressure loss at max. flow barg	Code number
VCH 30	300	30	0.5	2.5	180H0114
VCH 60	300	60	0.3	2.5	180H0115
VCH 120	300	120	0.5	2.5	180H0116
VCH 150	160	150	0.5	2.5	180H0117

**Dimensions**

**VCH 30, VCH 60 & VCH 120**



**VCH 150**



Danfoss can accept no responsibility for possible errors in catalogues, brochures and other printed material. Danfoss reserves the right to alter its products without notice. This also applies to products already on order provided that such alterations can be made without consequential changes being necessary in specifications already agreed. All trademarks in this material are property of the respective companies. Danfoss and the Danfoss logotype are trademarks of Danfoss A/S. All rights reserved.