

Data sheet

Rotary position sensor without shaft

DST X520



The Danfoss DST X520 rotary position sensors without shaft are designed for use in mobile hydraulic applications.

Danfoss DST X520 series uses contactless Hall technology with measurement ranges up to 360°. The Sensors designed for off-highway applications and resistant to shock and vibrations and with high electromagnetic compatibility. They are E1 approved for on-highway applications. They come with either analogue, CANopen or SAE J1939 output.

Single and redundant sensor types are available, making the complete portfolio suitable for safety-critical applications.

Features

- Contactless Hall technology for almost infinite sensor life time
- Single or Redundant ranges up to 360° ($\pm 180^\circ$)
- Output: Analogue, CANopen or SAE J1939
- Linearity: $< \pm 0.5\%$ FS
- Resolution:
 - 12 bit (analog)
 - 14 bit (CANopen/SAE J1939)
- IP protection level IP67 - IP69K with female mating connector
- High quality 10 mm SmCo Magnet

Approvals and Conformity

- CE
- RoHS
- E1 approval

Technical data
Performance

Measuring range	CAN	±180° (360 °C)
	Analogue	Programmable ± 15 °C
Linearity		≤ ± 0,5% FS
Resolution and speed of rotation	12 bit (analog output)	120 rpm max.
	14 bit (CANopen/SAE J1939 output)	
Durability		No wear through the use of permanent external magnet

Electrical specifications

Electrical connections	AMP Superseal 6p 282108, Cable or cable + M12
Output signal	CANopen / SAE J1939, Ratiometric 10-90% of Vs, 0,5-4,5 Vdc, 0-10 Vdc or 4-20 mA
Supply voltage	CANopen/J1939, 0,5-4,5 Vdc, 4-20 mA: 9-36 Vdc 0-10 Vdc, 11-36 Vdc Ratiometric: 10-90% of Vs: 5 Vdc
Current consumption	Analogue: < 10 mA/ pr. channel (no load) CANopen/J1939: < 15 mA (no load)
MTTFd [Years]	CANopen/J1939: 336 Analogue: 406 (Single Channel)

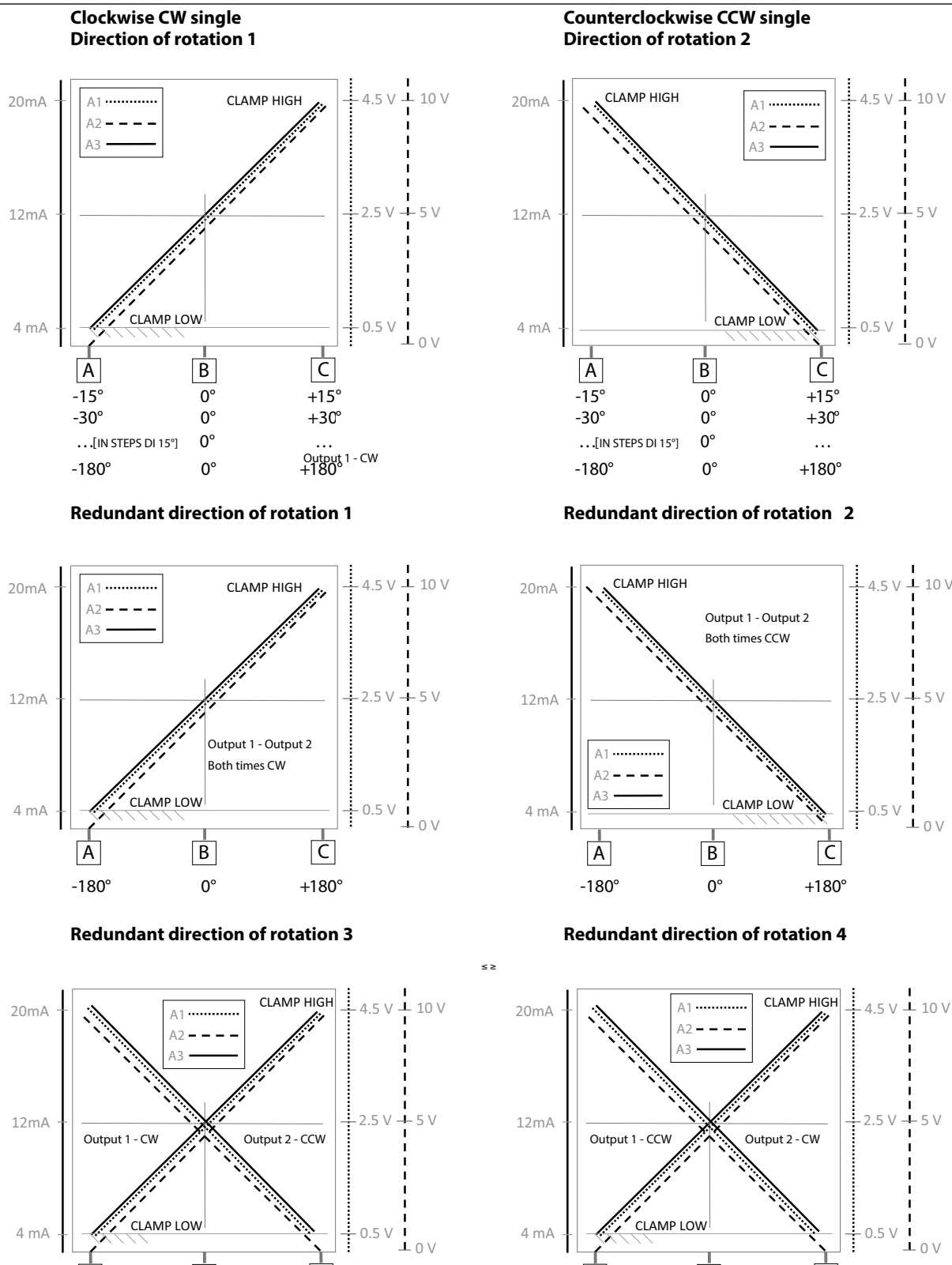
Environmental conditions

Operating temperature range		-40 – 85 °C
Thermal drift temperature		< 50 ppm/°C
EMC	Emission	EN 55011 and CISPR 25
	Immunity	EN 61236-3-2 and ISO 11452-2
	Transient on supply lines	ISO 7637-2
	Bulk current injection	ISO 11452-4
Vibration stability	Sinusoidal	20 g, 10 Hz – 2,000 kHz IEC 60068-2-6
Shock resistance	Impulsive on 3 axes	50 g, 11 ms IEC 60068-2-27
IP protection		AMP Superseal: IP67 - IP69K with female mating connect Cable: IP69K Cable + M12: IP67

Mechanical characteristics

Materials	Enclosure	PBT (Polybutylene terephthalate)
Net weight		0.036 kg

Sensor output graph



Load conditions

- +0.5V DC – +4.5 VDC output with power +9 – +36V DC and +0 – 10V DC output with power +11– 36V DC: it is recommended a load resistance > 100 K Ω
- +0.5V DC – 4.5 V DC output with power +5 V DC: it is recommended a load resistance > 10 K Ω
- +4 – 20 mA output with power +9-15 V DC: maximum load resistance is 200 Ω
- +4 – 20 mA output with power + 15 – 36V DC: maximum load resistance is 500 Ω

Data sheet | Rotary position sensor without shaft DST X 520
Ordering

Type	Output signal	Configurations	Code no.
DST X 520 incl. PKIT magnet	5V Ratiometric	±180° Clockwise CW	098G1500
	5V Ratiometric	±180° Counterclockwise CCW/CH2 clockwise CW	098G1501
	36 V CANopen	±180° Clockwise CW	098G1502
	36 V SAE J1939	±180° Clockwise CW	098G1503

Others on request

**Ordering code -
on request**

Electrical connections	
AMP Superseal 6P connector	A
Cable (specify cable length)	F

Circuit type	
Single Analog and half redundant CANopen/ J1939	S
Redundant Analog	R

Angle/Channel 1 (output for single channel)	
(Analog output A1-A2-A3 programmable in steps of ±15°) (CAN/J 1939 = 180)	xxx

Angle/Channel 2 (redundant/half redundant)	
Analog output = same as Channel 1 and (CAN/J 1939 = 000)	xxx

Supply voltage	
+5Vdc (only for A1 output)	L
+9...+36Vdc (see output signal for right supply voltage)	H

Output type	
+0.5...+4.5V DC output (available with supply L = ratiometric output and with supply H = 0.5...4.5V output)	A1
0...+10Vdc output (powered at +11...36V DC)	A2
4...20mA output (powered at +9...36V DC)	A3
CANopen output (powered at +9...36V DC) (available in single version with +/-180° measurement range)	C1
SAE J1939 (powered at +9...36V DC) (available in single version with +/-180° measurement range)	C2

Rotation direction	
Clockwise CW (single) Both clockwise CW (redundant or CAN/J1939)	1
Counterclockwise CCW (single) Both counterclockwise CCW (redundant or CAN/J1939)	2
CHANNEL 1 clockwise CW and CHANNEL 2 counterclockwise CCW (redundant version or CAN/J1939)	3
CHANNEL 1 counterclockwise CCW and CHANNEL 2 clockwise CW (redundant version or CAN/J1939)	4

Cable	
Single cable without connector (always "0" in case of DST X520 A version)	0
Cable + M12, 5-pin male overprinted connector	1

Reserved	00
----------	----

Linearity curve	
No linearity curve attached	0
Linearity curve to be attached	L

Standard	033
----------	-----

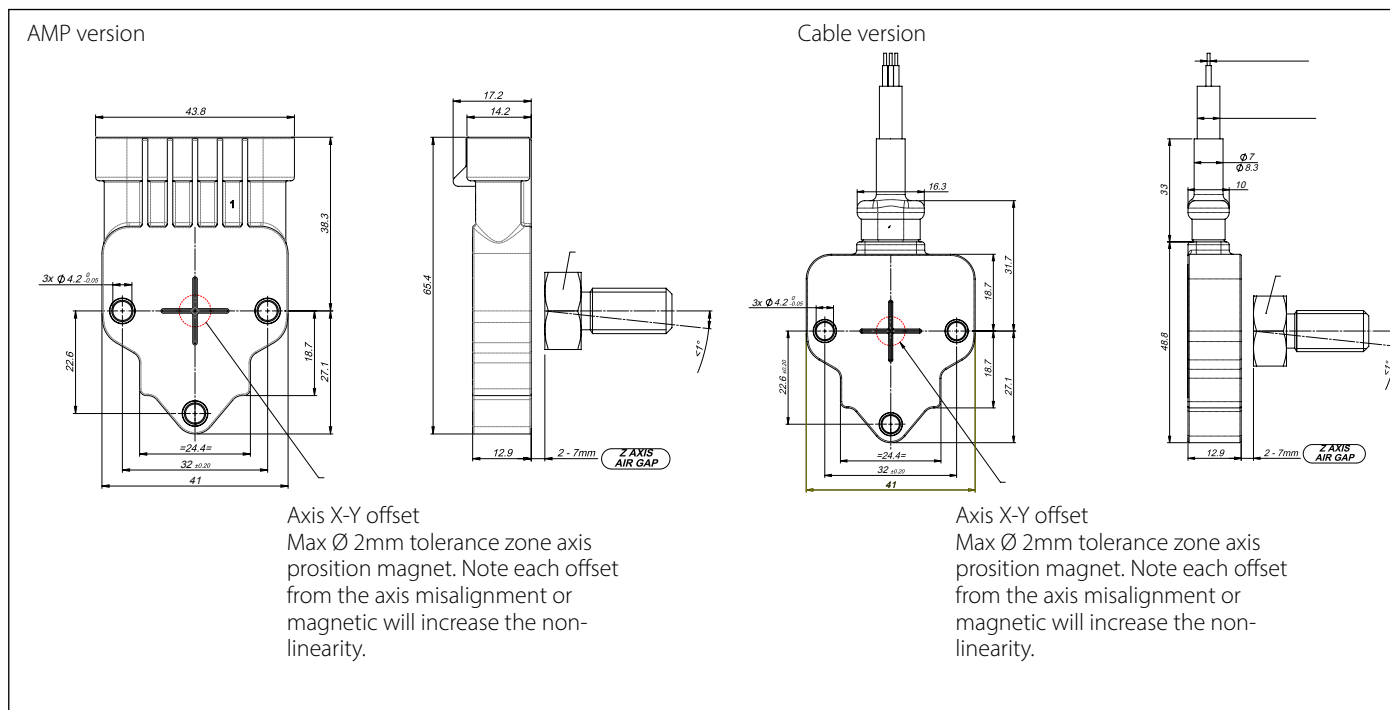
Accessories	
No accessories	X
Shaft kit + magnet D 15 M10 hexagonal (PKIT 384) (Standard)	A
Shaft kit to insert + magnet D 15 (PKIT 389)	B
Kit magnet Ø15 (PKIT 418)	C

Cable length	
100 mm	01
200 mm	02
500 mm	05
1 m	10
2 m	20
Other length on request

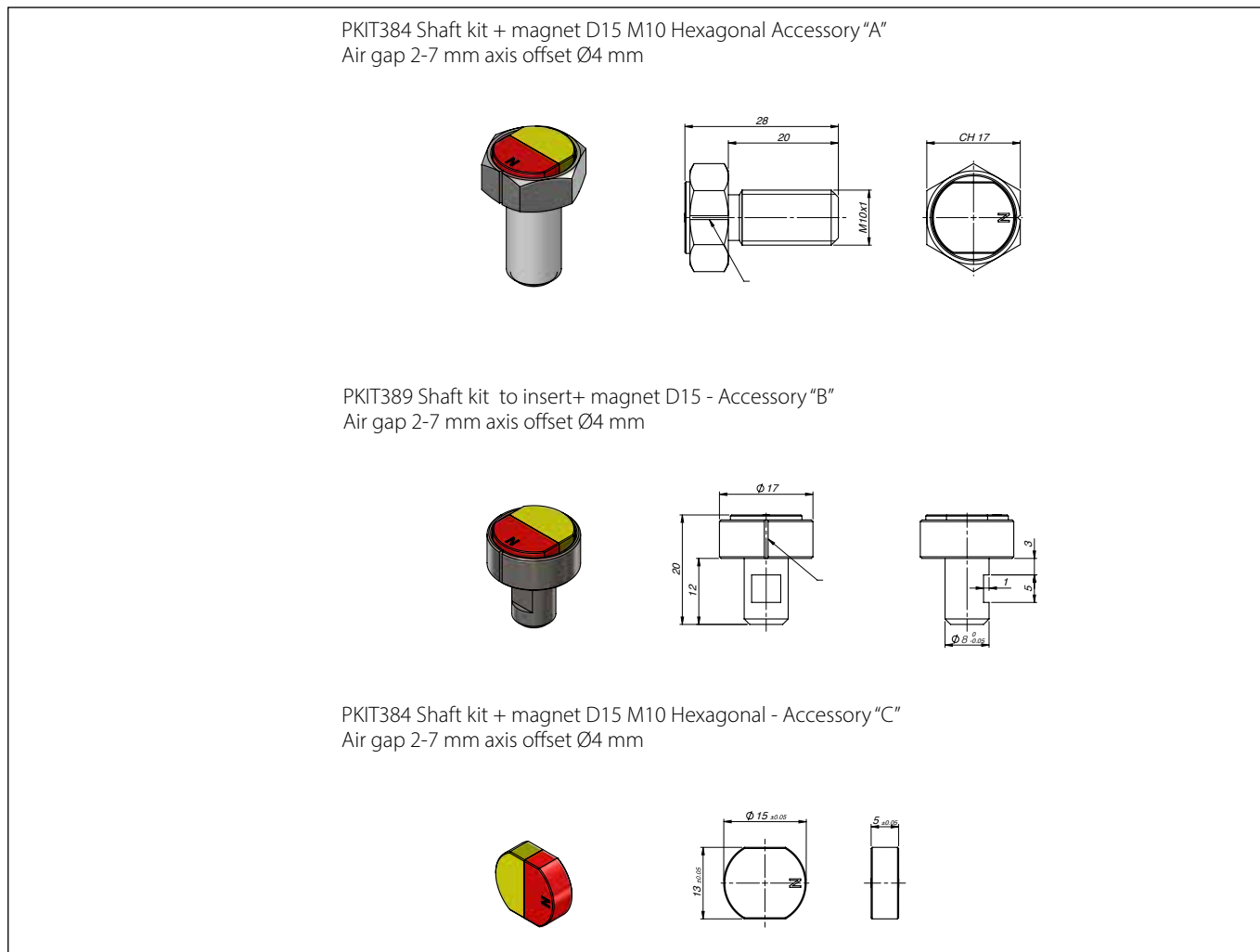
 Example of ordering:
DST X520-AS180000HC14000 0033A00

A	AMP Superseal 6p
S	Half redundant CAN/J 1939
180	±180°
000	000
H	+9 - +36 Vdc
C1	CANopen
4	Channel 1: Counterclockwise CCW Channel 2: Clockwise CW
0	No cable
00	Reserved
0	No linearity curve
033	Standard
A	Magnet PKIT384
00	Not defined (only cable version)

Dimensions

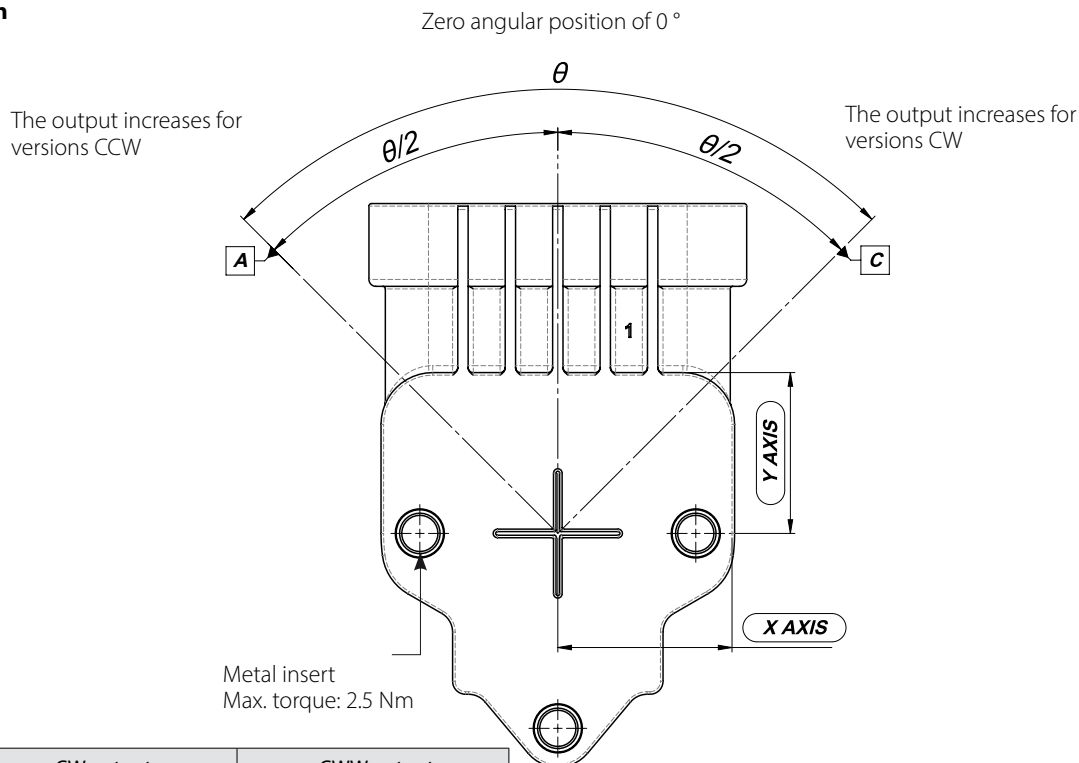


Magnets models



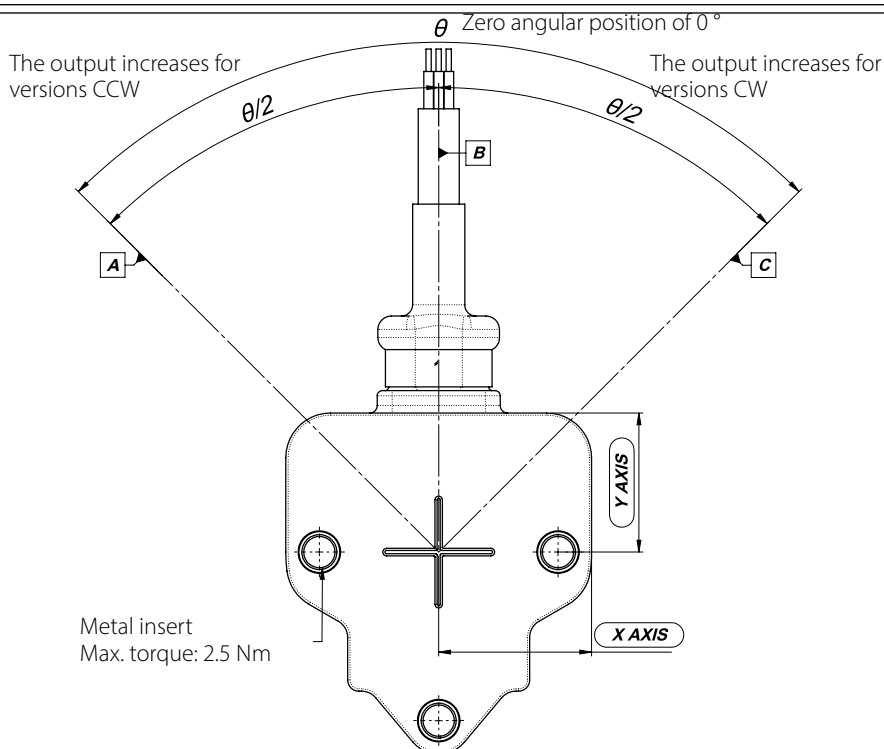
Electrical connections

AMP version



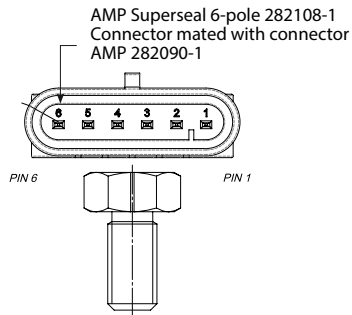
Ref.	CW output	CWW output
A	0.5 V DC	4.5 V DC
B	Zero angular position of 0°	Zero angular position of 0°
C	4.5 V DC	0.5 V DC

Cable version



Ref.	CW output	CWW output
A	0.5 V DC	4.5 V DC
B	Zero angular position of 0°	Zero angular position of 0°
C	4.5 V DC	0.5 V DC

AMP version



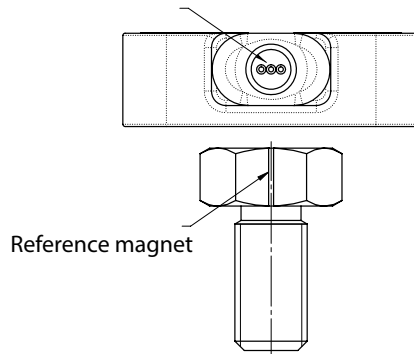
Connections

1. Ground 1
2. + Supply 1
3. Output 1
4. Ground 2
5. + Supply 2
6. Output 2

Connections - CAN/J 1939

1. OV (GND)
2. + Vs (+9 - 36 V DC)
3. GND
4. GND
5. CAN-L
6. CAN-H

Cable version



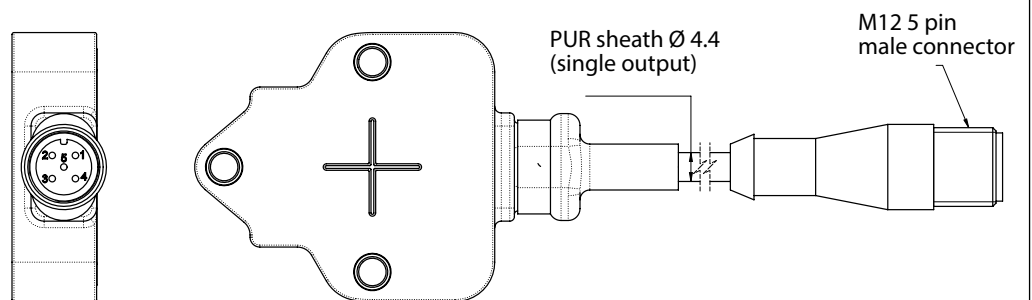
Connections

- Black: Ground 1
- Red: + Supply 1
- Yellow: Output 1
- Green: Ground 2
- Blue: + Supply 2
- White: Output 2

Connections - CAN/J 1939

- Black: Ground 1
- Red: + Supply 1
- Yellow: NC
- Green: NC
- Blue: CAN-L
- White: CAN-H

Cable + M12 version



Connections

1. Ground 1
2. + Supply 1
3. Output 1
4. NC
5. NC